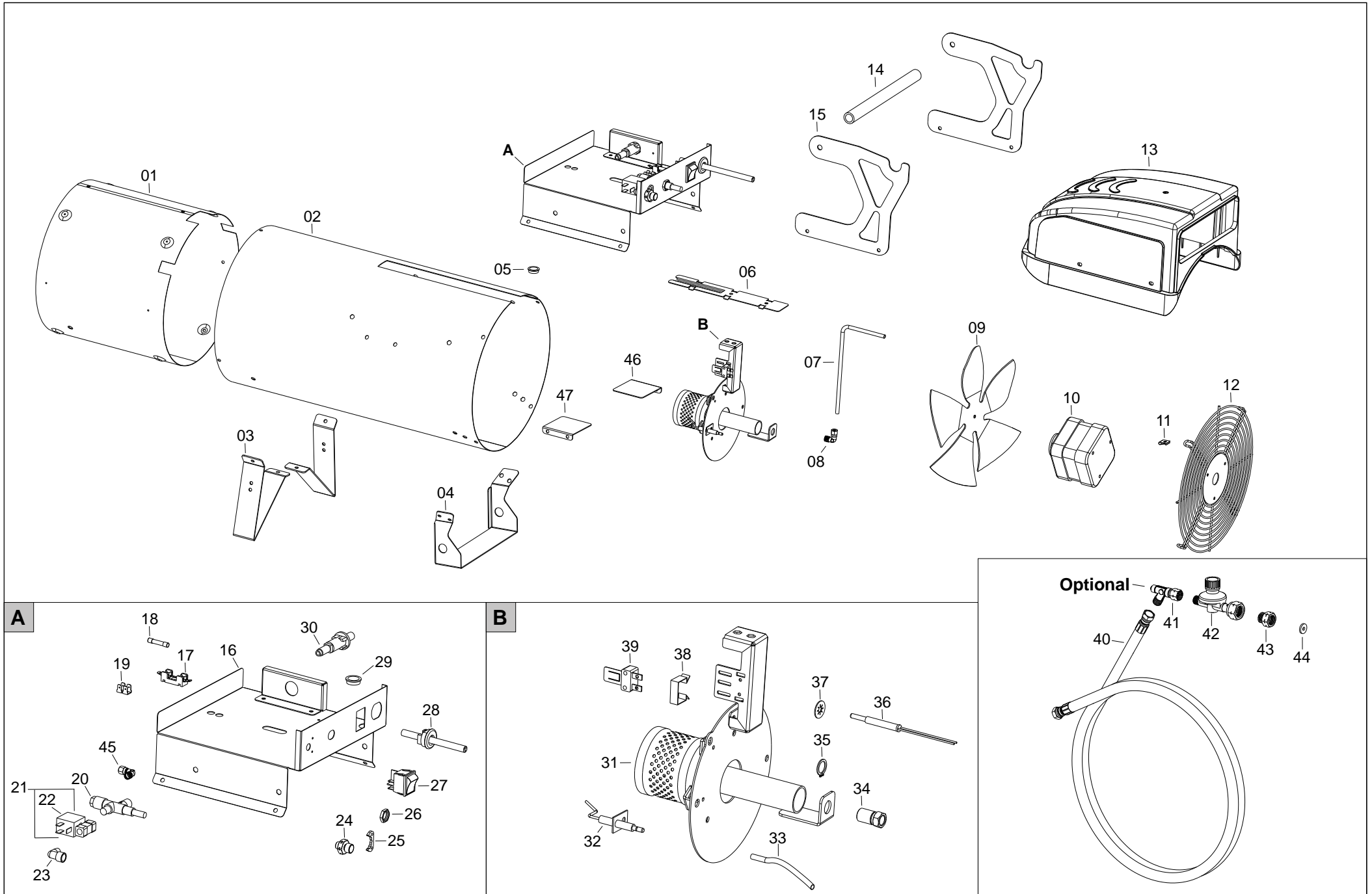


GP 65 M C



GP 65 M C

PL 07/11			Da N.° serie	De No. Serie	Von Masch. Nr.	From S/N
47501001						
POS	P/N	LEGENDA	DESCRIZIONE	DESCRIPTION	BESCHREIBUNG	DESCRIPTION
1	G03201	-	Camera di combustione	Chambre de combustion	Brennkammer	Combustion chamber
2	G03202-3001	-	Carrozzeria	Carrosserie	Karosserie	Body
3	G03203-9005	-	Piede	Support	Stütze	Support
4	G03189-9005	-	Piede	Support	Stütze	Support
5	C30348	Ø16 mm	Passacavo	Protection cable	Kabeldurchgang	Cable protection
6	G03190-3001	-	Staffa	Étrier	Bügel	Stirrup
7	I42002	Ø 6 x Ø 4	Tubo rame	Tuyau cuivre	Kupferrohr	Gas supply pipe
8	I30869	1/8" M / Ø6 / 90°	Raccordo bicono	Raccord pour bicone	Doppelkegelanschluss	Connection bicone
9	T10276	Ø 300 - 27°	Ventola	Ventilateur	Lüfter	Fan
10	E10722	34 W - 230 V - 50 Hz	Motore	Moteur	Motor	Motor
11	M20412	U42-182 B	Piastrina serraggio	Plaque serrage	Anzugsscheibe	Lock plate
12	P30175	-	Griglia aspirazione	Grille aspiration	Ansauggitter	Inlet grill
13	P50141	-	Copertura quadro elettrico	Couverture coffret électrique	Abdeckung Schalttafel	Control box cover
14	G03191-9005	-	Maniglia	Poignée	Griff	Handle
15	G03192-9005	-	Supporto maniglia	Support poignée	Halterung Griff	Handle support
16	G03204-9005	-	Piastra supporto	Plaque support	Montageplatte	Support plate
17	E20508	6 x 32	Portafusibile	Porte fusible	Sicherungshalter	Fuse holder
18	E10306	6x30 - 4A - T	Fusibile	Fusible	Sicherung	Fuse
19	M20616	-	Morsettiera a rivettare	Plaque à bornes à riveter	Anschlussleiste nietbar	Terminal board to rivet
20	T30336	1/4" M - 1/4" M	Valvola gas termica	Valve gaz thermique	Thermoventil Gas	Thermal gas valve
21	T30203	VE131.4-220 V	Elettrovalvola	Electrovanne	Magnetventil	Solenoid valve
22	T30204	230 V	Bobina elettrovalvola	Bobine E. V.	Spule Magnetventil	Solenoid coil
23	I20301	1/4" MF / 90°	Raccordo	Raccord	Fitting	Fitting
24	I30739	1/4" Mdx - 1/4" Msx	Raccordo ottone	Raccord laiton	Messingfitting	Brass fitting
25	G03194	-	Staffa blocco raccordo	Étrier bloc raccordement	Blockierbügel für Anschluss	Fitting lock bracket
26	T30337	M12x1	Dado	Écrou	Schraubmutter	Nut
27	E10110-1-P	0 - I	Interruttore bipolare	Interrupteur	zweipoliger Schalter	Switch
28	E30457	L = 1,5 m - SCHUKO	Cavo alimentazione elettrica	Câble d'alimentation	Stromversorgungskabel	Power cord
29	C30388	Ø20 mm	Passacavo	Protection cable	Kabeldurchgang	Cable protection
30	T30604	-	Accenditore piezoelettrico	Allumeur piezo-electrique	Piezo-Zünder	Piezo igniter
31	G03205	-	Testa di combustione	Brûleur	Brennkopf	Combustion head
32	E10213	-	Elettrodo accensione	Électrode allumage	Zündelektrode	Ignition electrode
33	E00390	L=300 mm	Cavo alta tensione	Conn. câble	Hochspannungskabel	H.T. Cable connect.
34	I33015	G1/8" F-Ø 1,5	Ugello gas	Gicleur	Gasdüse	Nozzle
35	M20317	E12	Anello seeger	Bague seeger	Seegerring	Seeger ring
36	E50504	L = 450 mm	Termocoppia	Thermocouple	Thermoelement	Thermocouple
37	M20208	-	Rondella elastica	Clips de fixation	Sprengring	Elastic washer
38	M20428	-	Staffa	Étrier	Bügel	Stirrup
39	E50103	V10C	Termostato di sicurezza	Thermostat de sécurité	Sicherheitsthermostat	Safety thermostat
40	I40554	1/4" Fsx-3/8" Fsx-L=1,5m	Tubo gas	Tuyau du gaz	Gasschlauch	Gas hose
41	T30341	8,5 kg - 3/8" G	Valvola sicurezza "stop-gas"	Sécurité stop-gaz	Gas-Stopp-Sicherheitsventil	Excess flow valve
42	T30332-GB	FI - IE - GB	Regolatore pressione gas	Manodetendeur	Gasdruckregler	Pressure regulator
42	T30332-US	SE - NO	Regolatore pressione gas	Manodetendeur	Gasdruckregler	Pressure regulator

GP 65 M C

PL 07/11			Da N.° serie	De No. Serie	Von Masch. Nr.	From S/N
47501001						
POS	P/N	LEGENDA	DESCRIZIONE	DESCRIPTION	BESCHREIBUNG	DESCRIPTION
42	T30332-D	AT-BG-CY-DK-DE-EE-LT-LV-MK-MT-RO-TR-BE-CZ-ES-FR-HR-HU-LU-PL-PT-SI-SK-IT-GR-NL	Regolatore pressione gas	Manodetendeur	Gasdruckregler	Pressure regulator
43	T30527	BE-CZ-ES-FR-HR-HU-LU-PL-PT-SI-SK	Raccordo	Raccord	Fitting	Fitting
43	T30529	IT-GR	Raccordo	Raccord	Fitting	Fitting
44	T30528	NL	Guarnizione	Joint	Dichtung	Seal
45	I30810	1/4"F / Ø6 / 90°	Raccordo bicono	Raccord pour bicone	Doppelkegelanschluss	Connection bicone
46	G03206	DX	Aletta aria	Défecteur d'air	Luftleitblech	Air flap
47	G03207	SX	Aletta aria	Défecteur d'air	Luftleitblech	Air flap