

Item	Part Number	Description	Illustration	Price	Quantity	Price Group
2	1 614 220 100	Field 110V	1	-, -	1	43
4	1 617 200 040	On-Off Switch	1	-, -	1	38
5	1 614 460 062	Power supply cord GB 110V 4,15m 2 x 1,0mm H07RN-F	1	-, -	1	33
6	3 600 703 011	Grommet Ø9,2-Ø12x120 MM	1	-, -	1	13
7	1 611 034 020	Fastening Clamp	1	-, -	1	11
9	1 611 110 733	Manufacturer's nameplate	1	-, -	1	13
1 3	1 610 905 009	groove ball bearing 9x26x8	1	-, -	1	27
1 4	1 610 905 024	groove ball bearing 15x35x11	1	-, -	1	26
1 5	1 616 610 067	Fan	1	-, -	1	16
1 7	1 610 500 013	Friction Washer	1	-, -	1	13
1 8	1 610 508 017	Protective Cap	1	-, -	1	15
1 9	1 610 202 016	Cylinder Sleeve	1	-, -	1	23
2 0	1 610 390 015	Spacer Tube	1	-, -	1	15
2 1	1 610 520 001	Stop Sleeve	1	-, -	1	24
2 2	1 612 300 027	Stopping Device	1	-, -	2	23
2 3	1 610 290 025	Indexing Disk	1	-, -	1	19
2 4	1 614 616 009	Compression Spring	1	-, -	1	14
2 5	1 610 591 009	Protection Sleeve	1	-, -	1	19
2 7	1 615 190 028	Protective Cap	1	-, -	1	17
2 8	1 615 805 062	Bearing Flange	1	-, -	1	32
2 9	1 613 124 037	Striker Pin	1	-, -	1	28
3 0	1 613 124 038	Striker Pin	1	-, -	1	30
3 2	1 610 101 616	Supporting Disc 1,5 MM THICK	1	-, -	2	11
3 3	1 616 317 041	Cylindrical Gear Z=32/57	1	-, -	1	39
3 5	1 618 710 055	Striker	1	-, -	1	31
3 6	1 614 621 001	Compression Spring	1	-, -	1	16
3 7	1 618 700 060	Hammer Piston	1	-, -	1	30
3 8	1 615 190 027	Covering hood BLACK	1	-, -	1	29
3 9	1 611 015 030	Sealing Frame	1	-, -	1	16
4 0	1 615 808 059	Bearing cover	1	-, -	1	30
4 1	1 613 219 001	Piston Pin	1	-, -	1	21
4 2	1 614 336 005	Brush Holder	1	-, -	1	24
4	1 615 808 068	Bearing cover BLUE	1	-,	1	30

Item	Part Number	Description	Illustration	Price	Quantity	Price Group
3				-		
4 4	1 611 015 032	Frame	1	,-	1	12
4 5	1 615 133 027	Handle BLACK	1	,-	1	37
4 6	1 615 500 269	Handle Cover BLACK	1	,-	1	38
4 8	1 616 333 032	Crown Gear Z=32	1	,-	1	41
4 9	1 615 819 011	Drive bearing	1	,-	1	43
5 3	1 611 015 031	Sealing Frame	1	,-	1	18
5 6	1 613 060 012	Toothed Shaft Z=10	1	,-	1	31
5 9	1 610 591 010	Plug	1	,-	1	11
6 0	1 612 026 033	Clamp Handle BLACK/RED	1	,-	1	22
6 1	2 917 550 138	Straight Pin 5M6x70 RIKO DIN 6325	1	,-	1	15
6 2	1 614 680 003	Holding Spring	1	,-	1	11
6 5	1 610 101 617	Supporting Disc 2,5 MM THICK	1	,-	1	13
6 8	1 610 101 618	Shim 0,3 MM THICK	1	,-	1	11
6 8	1 610 101 621	Shim 0,1 MM THICK	1	,-	1	11
7 0	1 610 103 019	Stop Disc	1	,-	1	20
7 1	1 610 101 014	Stop Disc	1	,-	1	21
7 2	1 615 500 284	Sealing cap BLUE	1	,-	2	13
7 3	1 610 210 082	Clamping Ring	1	,-	1	12
7 4	1 614 652 000	Spiral Spring	1	,-	2	12
7 5	1 615 190 011	Socket Housing	1	,-	1	12
7 6	1 617 328 016	Suppression Filter BLUE	1	,-	1	16
7 7	1 617 328 017	Suppression Filter GRAY	1	,-	1	15
7 8	1 614 431 022	Connecting Cable L=35 MM WHITE	1	,-	2	12
7 9	1 610 102 623	Supporting Disc 3,0 MM THICK	1	,-	1	14
8 0	1 617 233 017	Control device 110V	1	,-	1	40
8 1	1 610 102 630	Supporting Disc 3,0 MM THICK	1	,-	1	15
8 4	1 602 025 07H	Auxiliary Handle	2	,-	1	23
8 5	1 618 040 055	index turning toolholder Ø70 MM	2	,-	1	25
8 6	1 613 490 001	T-Head Bolt M8x80 MM	2	,-	1	21
8 7	1 611 316 008	Clamping Band Ø70 MM	2	,-	1	22
9 2	2 917 550 118	Straight Pin 5M6x12 RIKO DIN 6325	1	,-	1	11
9 5	1 900 210 114	O-Ring 15x3 MM	1	,-	1	13

9 7	1 610 202 014	Inner Ring	1	- -	1	25
9 8	1 610 900 023	groove ball bearing	1	- -	1	24
9 9	1 610 910 068	Needle bearing	1	- -	1	23
10 0	2 600 910 001	Needle bearing Ø14 MM	1	- -	2	16
10 1	2 600 910 000	Needle bearing	1	- -	1	18
10 2	1 900 900 276	groove ball bearing 30x55x13	1	- -	1	26
10 4	2 916 650 017	Spring retaining ring DIN 471 30x1,5 MM	1	- -	1	11
10 5	1 610 116 004	Spring retaining ring	1	- -	1	11
10 7	2 916 660 024	Spring retaining ring 55x2MM, DIN 472	1	- -	2	17
10 9	1 610 210 100	O-Ring 27,0x1,5 MM	1	- -	1	13
11 0	1 600 210 004	O-Ring 54,0x3,0 MM	1	- -	1	12
11 1	1 610 210 098	O-Ring 16,0x2,5 MM	1	- -	2	12
11 2	1 610 210 109	O-Ring 26,0x4,0 MM	1	- -	2	16
11 3	1 610 210 099	O-Ring 30,0x8,0 MM	1	- -	1	14
11 4	1 610 210 093	O-Ring 17,0x8,0 MM	1	- -	1	11
11 5	1 610 210 135	O-Ring 12,0x2,0 MM	1	- -	1	14
11 6	1 610 283 020	Rotary shaft lip seal	1	- -	1	19
11 7	2 910 141 262	Hex Socket Head Cap Screw DIN 912-M8x80-8.8	1	- -	3	10
11 8	2 910 141 244	Hex Socket Head Cap Screw DIN 912-M8x25-8.8	1	- -	2	11
12 0	2 910 211 038	Tapping Screw DIN 7971-ST4,8x38-F	1	- -	2	11

Item	Part Number	Description	Illustration	Price	Quantity	Price Group
12 2	1 603 435 008	Tapping Screw BZ4,8x63 MM		1	- -	2
12 3	2 910 211 236	Tapping Screw DIN 7971-ST4,8x25-C		1	- -	4
12 5	2 910 601 118	Tapping Screw DIN 7972-B3,9x13		1	- -	2
12 6	2 910 211 011	Tapping Screw DIN 7971-BZ3,5x13		1	- -	8
12 8	2 910 021 118	Socket head cap screw DIN 84-AM4x8-8.8		1	- -	2
12 9	2 603 410 001	Socket head cap screw M3x6,5-4.8		1	- -	2
13 1	1 611 110 735	Manufacturer's nameplate		1	- -	1
13 2	1 614 619 009	Compression Spring		1	- -	1
13 3	1 610 390 028	Guide Bushing		1	- -	1
13 4	1 610 200 018	Retaining snap ring		1	- -	1
14 3	1 610 109 017	Sealing disk		1	- -	1
14	1 610 108 014	Felt Disc		1	- -	1

9					-		
66 1	1 615 430 010	Grease Tube 30 ML	2	-, -	1	18	
75 0	2 605 438 262	Carrying Case	2	-, -	1	-	
75 1	1 613 001 003	Depth-Gauge SW 6x330 MM	2	-, -	1	-	
78 4	2 602 025 062	Auxiliary Handle Ø 70 MM, M8	2	-, -	1	-	
80 1	1 617 000 996	Motor Housing	1	-, -	1	51	
80 3	1 614 011 065	Armature 100-110V	1	-, -	1	50	
80 8	1 601 11A 3H3	Nameplate	1	-, -	1	13	
81 0	1 617 014 120	Carbon-Brush Set	1	-, -	1	32	
81 9	1 617 000 123	Hex Socket Head Cap Screw DIN 912-M6x25-10.9	1	-, -	1	17	
82 6	1 617 000 957	Toolholder	2	-, -	1	51	
83 4	1 617 000 960	Hammer Pipe	1	-, -	1	52	
85 0	1 617 000 934	Spur Wheel Clutch	1	-, -	1	46	
85 2	1 617 000 803	Bearing Flange	1	-, -	1	42	
89 4	1 617 000 169	Needle-Roller Assembly	1	-, -	1	19	
89 7	1 617 000 253	Wear and Tear Part Set	1	-, -	1	38	
89 8	1 617 000 254	Wear and Tear Part Set	1	-, -	1	41	

Lubrication instructions for product: Universal Rotary Hammer - 0 611 231 741 - GBH 8 DCE

Pos.	Description	Instruction	Lubricant	Quantity
	Gearbox and impact mechanism interior	Grease parts, rest in gearbox interior	1.615.430.001 Bosch	35-40 g
20,26,32,34,37,41,57,60,63,97,108,134	Sliding parts / parts	Smear the sliding surfaces, grease parts	1.615.430.001 Bosch	
	Ratchet clutch (old = safety clutch)	Grease parts, fill rest	1.615.430.001 Bosch	30 g
116	Shaft sealing ring	Fill the cavity between the sealing lips	1.615.430.001 Bosch	
13,14,98,102	Deep groove ball bearing	* Fill to 2/3	1 615 430 020 Bosch	
49,99,100,101	Parts	* Fill to 2/3 / grease	1 615 430 020 Bosch	
109,110,111,112,113,114,115	O-ring / sealing ring	Immerse in oil	SAE 20 W Mineral oil (commercially available)	
56	Hammer piston	Immerse in oil to the O-ring	SAE 20 W Mineral oil (commercially available)	
43	Bearing cover	Grease	1.615.430.002 Bosch	
25	Clamping jaw	Grease	1.615.430.002 Bosch	
94	Needle ring	* Grease	1.615.430.002 Bosch	
33,48,57,3	Spur gear / bevel gear / pinion	Fill teeth, grease	1.615.430.002 Bosch	
	.	* if bearing not greased	1.615.430.002 Bosch	

Product information Universal Rotary Hammer - 0 611 231 741 - GBH 8 DCE

Product No	0 611 231 741
Description	102.024; Universal Rotary Hammer
DIN-Text	
ID_Text_Ext	0
Trading_Description	GBH 8 DCE
Voltage_1	110 V
ID_Country_Product	GB

Illustration - Type E

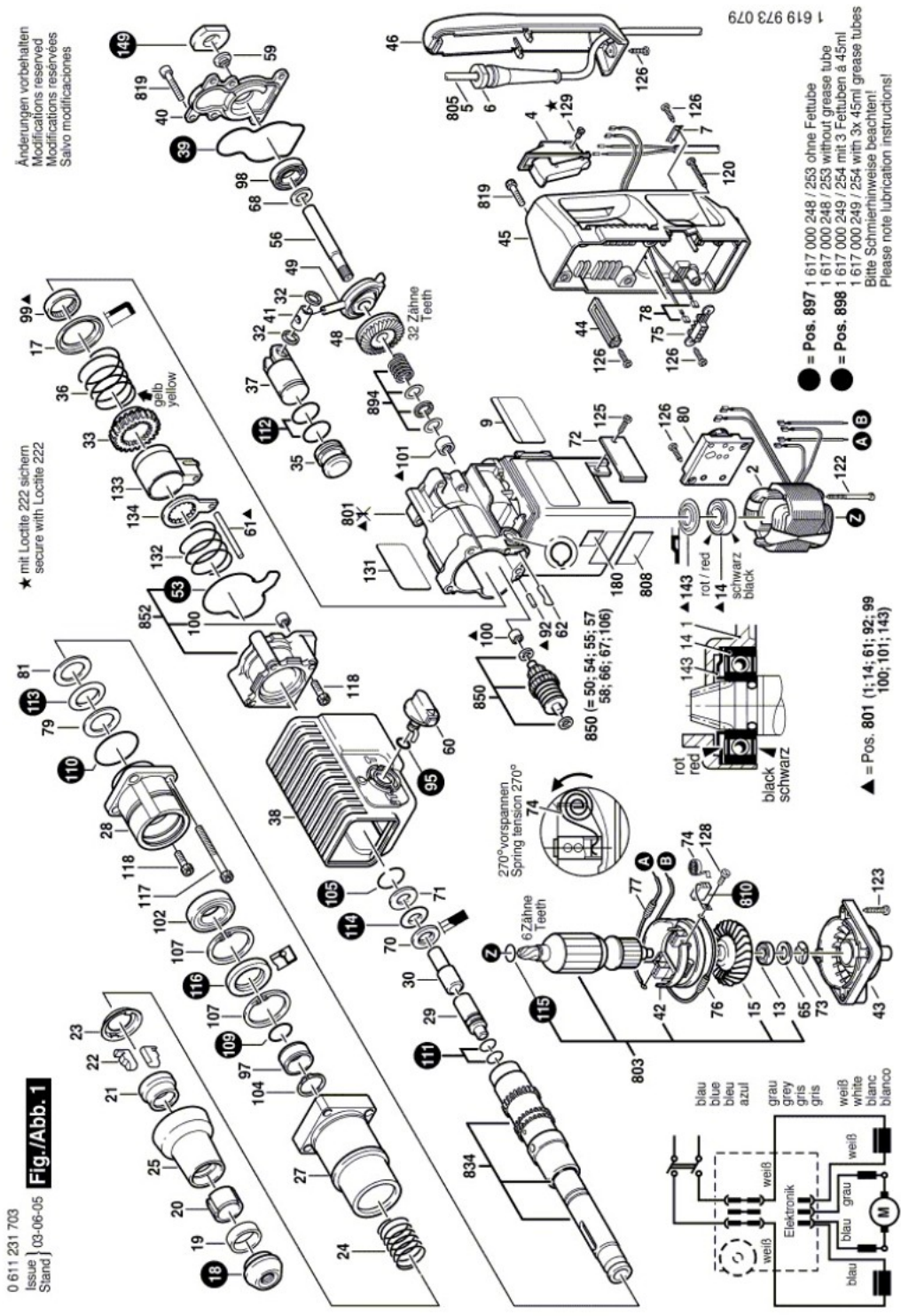
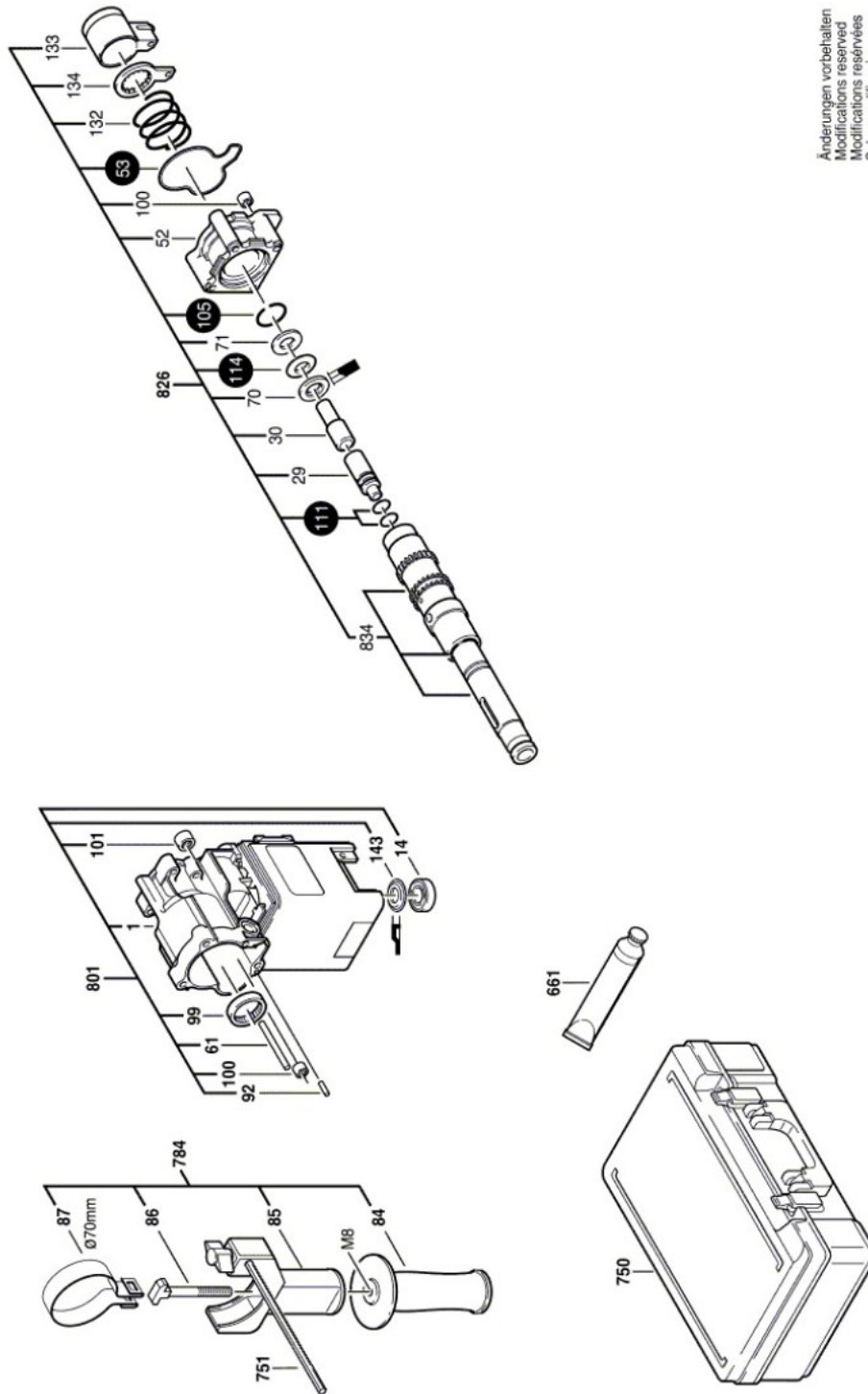


Illustration - Type E

0 611 231 703  
Issue  
Stand | 03-06-05

**Fig./Abb. 2**



Anderungen vorbehalten  
Modifications reserved  
Modificaciones reservées  
Salvo modificaciones

Information subject to change without further notice.