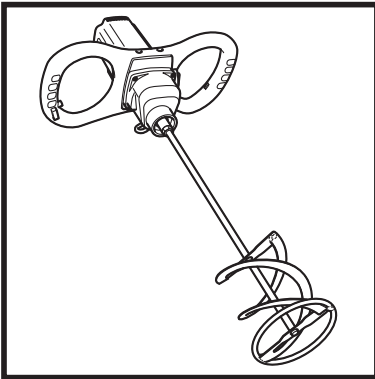


BELLE PROMIX

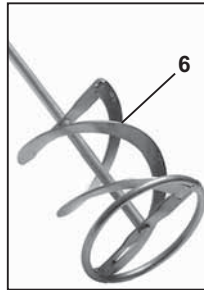
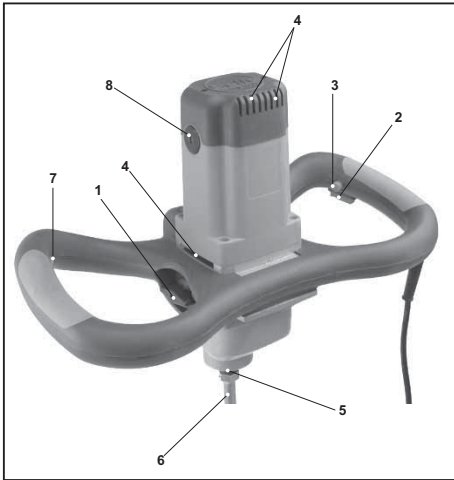


- Spare Parts Book
- Pièces Détachées
- Libro Despiece
- Lista de Peças
- Onderdelen Boekje
- Reservedele Skrift
- Ersatzteilhandbuch
- Manuale dei Ricambi
- Bruksanvisning
- Varaosaluettelo
- Lista Części Zamiennych
- Запасные Части Книга
- Varuosade Nimekiri
- Rezerves Daļu Saraksts
- Atsarginių Daliu Sarašas
- Част Списък
- Část Bavevný Pruh
- Lista Pieselor De Schimb
- Részek Oldalra Dől
- Zoznam Náhradných Dielov

90

(GB) Operators Manual	6
(US) Operators Manual	10
(F) Manuel De L'Opérateur	14
(E) Manual del Operador	18
(P) Manual de Operação	22
(NL) Handleiding	26
(DK) Betjeningsvejledning	30
(D) Bedienungshandbuch	34
(I) Manuale Dell'Operatore	38
(S) Bruksanvisning	42
(SF) Käyttöohje	46
(PL) Instrukcja Obsługi	50
(RUS) Руководство для оператора	54
(EST) Kasutusjuhend	58
(LV) Lietotāja rokasgrāmata	62
(LT) Naudojimo Instrukcija	66
(BG) Оператор Ръчен	70
(CZ) Na'vod K Obzluze	74
(RO) Manual de Utilizare	78
(HUN) Kezelők Kézi	82
(SK) Príručka pre obsluhu	86

Machine Description



1. Gear Change Switch
2. Trigger
3. Trigger Lock
4. Ventilation Slits
5. Shaft With M14 Female Thread
6. Mixing Paddle
7. Variable Speed Dial
8. Brush Holders

Technical Data



Model	1200E	1600E
Total Machine Weight (kg)	7.0	7.8
Machine Weight - Excluding Paddle (kg)	5.5	6.2
Machine Height * (mm)	865	865
Power (W)	1200	1600
Tool Size	M14 x 2	M14 x 2
Mixing Paddle Maximum Diameter (mm)	120	160
Noise Level (dB(A))	102	98
Mixture Volume (Ltrs)	113	227
Suitable Materials	Plaster Cement / Mortar Tile Adhesive Render	Plaster Cement / Mortar Tile Adhesive Render

Safety Instructions



For your own personal protection and for the safety of those around you, please read and ensure you fully understand the following safety information. It is the responsibility of the operator to ensure that he/she fully understands how to operate this equipment safely. If you are unsure about the safe and correct use of the Promix, consult your supervisor or The Altrad Belle.



WARNING

Improper maintenance can be hazardous. Read and Understand this section before you perform any maintenance, service or repairs.

- Cordon off the work area and keep members of the public and unauthorized personnel at a safe distance.
- Personal Protective Equipment (PPE) must be worn by the operator when ever this equipment is being used (see Health & Safety section).
- Make sure you know how to safely switch this machine **OFF** before you switch it **ON** in case you get into difficulty.
- Always switch this machine **OFF** before transporting, moving it around the site or servicing it.
- Never remove or tamper with any guards fitted, they are there for your protection. Always check guards for condition and security, if any are damaged or missing, **DO NOT USE THE PROMIX** until the guard has been replaced or repaired.
- Do not operate the machine when you are ill, feeling tired, or when under the influence of alcohol or drugs.
- Ensure that the mixing container is placed on a flat and firm area.
- Do not place body parts or any other items into the mixing container during the mixing process.



Health And Safety

Vibration.

Some vibration from the mixing operation is transmitted through the handle to the operator's hands.

PPE (Personal Protective Equipment).

Suitable PPE must be worn when using this equipment i.e. Safety Goggles, Gloves, Ear Defenders, and Steel Toe capped footwear. Wear clothing suitable for the work you are doing. Tie back long hair and remove any jewellery which may catch in the equipment's moving parts.

Electric Machines.

Electricity can kill! Always ensure that the machine is disconnected from the power supply before carrying out any maintenance/repairs. Never use the machine in wet conditions.



Pre-start Checks

Pre start-up inspection.

The following Pre-start-up inspection must be performed before the start of each work session or after every four hours of use, whichever is first. Please refer to the service section for detailed guidance. If any fault is discovered, the Promix must not be used until the fault is rectified.

1. Thoroughly inspect the Promix for signs of damage. Check components are present and secure. Pay special attention to the Mixing Paddle, and ensure it is correctly attached to the handle.
2. Check electricity cables for signs of exposed wires. Fix any exposed areas before operating.



Operating Instructions



WARNING

Before you operate or carry out any maintenance on this machine YOU MUST READ and STUDY this manual.

Always operate the machine with both hands on the handle.

Press and hold the trigger (2) to commence the mixing process.

Once the trigger (2) is in the 'ON' position, push the trigger lock button (3). This will hold the trigger (2) in the 'ON' position without the use of your hand.

To stop the machine, push and release the trigger(2).

Machines with 2-speed gearboxes have 2 speeds available. The first gear is the slow speed, and the second gear is the fast speed. To change from one gear to the other, turn the gear change switch (1) through 180°. There is also a Variable Speed Dial (7) available which allows you to vary the speed of the machine when using either of the 2 gears.

Always reduce the speed when placing the mixing paddle into the mixing material, and also when removing it. Once the mixing paddle (6) is completely clear of the mixing material, increase the speed again to ensure that the motor is adequately cooled.

During the mixing process, slowly move the machine around the mixing container. This should be continued until all of the mixing material has been mixed.

Once the mixing process has been completed, clean the mixing paddle (6) to stop the build up of dirt and residue.

Note: The numbers shown in brackets refer to the pictures shown in the Machine Description section of the booklet.



Environment



Safe Disposal.

Instructions for the protection of the environment.

The machine contains valuable materials. Take the discarded apparatus and accessories to the relevant recycling facilities.



Storage



The machine should be stored in a dry area which is not exposed to extreme temperatures.

Maintenance



Note: Please ensure a qualified electrician carries out all maintenance procedures.

The Altrad Belle Promix is designed to give many years of trouble free operation. It is, however, important that the simple regular maintenance listed in this section is carried out. It is recommended that an approved Altrad Belle dealer carries out all major maintenance and repairs. Always use genuine Altrad Belle replacement parts, the use of spurious parts may void your warranty. Before any maintenance is carried out on the machine, ensure it is unplugged.

Routine Maintenance		Approx. 100 Hours	Approx 200 Hours
Motor Brushes	Check	✓	
	Change When Necessary		
Gearbox Case	Check / Replace		✓

The machine is fitted with self-deactivating carbon motor brushes. This means that the machine will automatically switch off once the brushes have been worn down to a certain level. See the instructions below on how to replace them

Replacing the Carbon Motor Brushes.

1. Using a flat-blade screwdriver, unscrew the two brush holders (8) which are located on either side of the motor casing.
2. Remove the worn out brushes, and replace with new brushes.
3. Re-tighten both brush holders (8) ensuring that the brushes are securely fitted.

Also keep the ventilation slits (4) clear of dirt and residue so that the machine can be cooled adequately.



How To Use This Manual

This manual has been written to help you operate and service the Promix safely.
This manual is intended for dealers and operators of the Promix.

Foreword

The '**Machine Description**' section helps you to familiarize yourself with the machine's layout and controls.

The '**Safety Instructions**' and '**Health and Safety**' sections explain how to use the machine to ensure your safety and the safety of the general public.

The '**Operating Instructions**' section explains how to use the machine in the correct way.

The '**Maintenance**' section is to help you with the general maintenance and servicing of your machine.

The '**Warranty**' Section details the nature of the warranty cover and the claims procedure.

The '**Declaration of Conformity**' section shows the standards that the machine has been built to.

Directives with regard to the notations.

Text in this manual to which special attention must be paid are shown in the following way:



CAUTION

The product can be at risk. The machine or yourself can be damaged or injured if procedures are not carried out in the correct way.



WARNING

The life of the operator can be at risk.



WARNING



WARNING

*Before you operate or carry out any maintenance on this machine **YOU MUST READ and STUDY** this manual.*

KNOW how to safely use the unit's controls and what you must do for safe maintenance. (NB Be sure that you know how to switch the machine off before you switch on, in case you get into difficulty.)

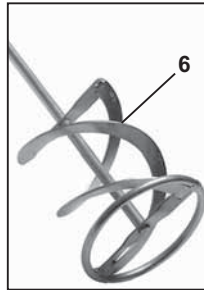
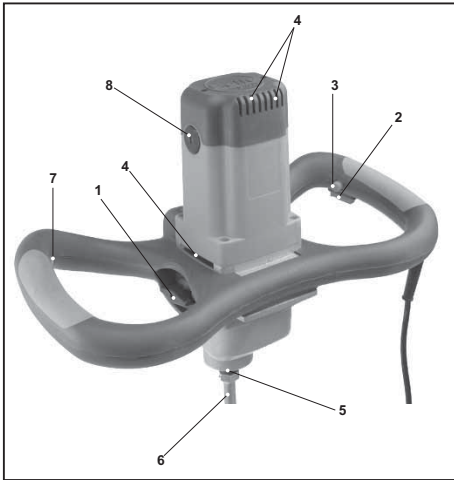
ALWAYS wear or use the proper safety items required for your personal protection. If you have **ANY QUESTIONS** about the safe use or maintenance of this unit, ASK YOUR SUPERVISOR OR CONTACT: **Altrad Belle (UK): +44 (0) 1298 84606**



Contents

How to use this manual.....	10
Warning	10
Machine Description.....	11
Technical Data	11
Safety Instructions.....	11
Health and Safety.....	12
Pre-Start Checks	12
Operating Instructions	12
Environment	12
Storage	13
Maintenance	13
Warranty.....	13
Declaration of Conformity.....	2

Machine Description



1. Gear Change Switch
2. Trigger
3. Trigger Lock
4. Ventilation Slits
5. Shaft With M14 Female Thread
6. Mixing Paddle
7. Variable Speed Dial
8. Brush Holders

Technical Data



Model	1200E	1600E
Total Machine Weight (lbs)	15.4	17.2
Machine Weight - Excluding Paddle (lbs)	12	13.6
Machine Height * (in)	34	34
Power (W)	1200	1600
Tool Size	M14 x 2	M14 x 2
Mixing Paddle Maximum Diameter (in)	4.7	6.3
Noisel Level (dB(A))	102	98
Mixture Volume (Gals)	29.9	60.0
Suitable Materials	Plaster Cement / Mortar Tile Adhesive Render	Plaster Cement / Mortar Tile Adhesive Render

Safety Instructions



For your own personal protection and for the safety of those around you, please read and ensure you fully understand the following safety information. It is the responsibility of the operator to ensure that he/she fully understands how to operate this equipment safely. If you are unsure about the safe and correct use of the Promix, consult your supervisor or The Altrad Belle.



WARNING

Improper maintenance can be hazardous. Read and Understand this section before you perform any maintenance, service or repairs.

- Cordon off the work area and keep members of the public and unauthorized personnel at a safe distance.
- Personal Protective Equipment (PPE) must be worn by the operator when ever this equipment is being used (see Health & Safety section).
- Make sure you know how to safely switch this machine **OFF** before you switch it **ON** in case you get into difficulty.
- Always switch this machine **OFF** before transporting, moving it around the site or servicing it.
- Never remove or tamper with any guards fitted, they are there for your protection. Always check guards for condition and security, if any are damaged or missing, **DO NOT USE THE PROMIX** until the guard has been replaced or repaired.
- Do not operate the machine when you are ill, feeling tired, or when under the influence of alcohol or drugs.
- Ensure that the mixing container is placed on a flat and firm area.
- Do not place body parts or any other items into the mixing container during the mixing process.



Health And Safety

Vibration.

Some vibration from the mixing operation is transmitted through the handle to the operator's hands.

PPE (Personal Protective Equipment).

Suitable PPE must be worn when using this equipment i.e. Safety Goggles, Gloves, Ear Defenders, and Steel Toe capped footwear. Wear clothing suitable for the work you are doing. Tie back long hair and remove any jewellery which may catch in the equipment's moving parts.

Electric Machines.

Electricity can kill! Always ensure that the machine is disconnected from the power supply before carrying out any maintenance/repairs. Never use the machine in wet conditions.



Pre-start Checks

Pre start-up inspection.

The following Pre-start-up inspection must be performed before the start of each work session or after every four hours of use, whichever is first. Please refer to the service section for detailed guidance. If any fault is discovered, the Promix must not be used until the fault is rectified.

1. Thoroughly inspect the Promix for signs of damage. Check components are present and secure. Pay special attention to the Mixing Paddle, and ensure it is correctly attached to the handle.
2. Check electricity cables for signs of exposed wires. Fix any exposed areas before operating.



Operating Instructions



WARNING

Before you operate or carry out any maintenance on this machine YOU MUST READ and STUDY this manual.

Always operate the machine with both hands on the handle.

Press and hold the trigger (2) to commence the mixing process.

Once the trigger (2) is in the 'ON' position, push the trigger lock button (3). This will hold the trigger (2) in the 'ON' position without the use of your hand.

To stop the machine, push and release the trigger (2).

Machines with 2-speed gearboxes have 2 speeds available. The first gear is the slow speed, and the second gear is the fast speed. To change from one gear to the other, turn the gear change switch (1) through 180°. There is also a Variable Speed Dial (7) available which allows you to vary the speed of the machine when using either of the 2 gears.

Always reduce the speed when placing the mixing paddle into the mixing material, and also when removing it. Once the mixing paddle (6) is completely clear of the mixing material, increase the speed again to ensure that the motor is adequately cooled.

During the mixing process, slowly move the machine around the mixing container. This should be continued until all of the mixing material has been mixed.

Once the mixing process has been completed, clean the mixing paddle (6) to stop the build up of dirt and residue.

Note: The numbers shown in brackets refer to the pictures shown in the Machine Description section of the booklet.



Environment



Safe Disposal.

Instructions for the protection of the environment.

The machine contains valuable materials. Take the discarded apparatus and accessories to the relevant recycling facilities.



Storage



The machine should be stored in a dry area which is not exposed to extreme temperatures.

Maintenance



Note: Please ensure a qualified electrician carries out all maintenance procedures.

The Altrad Belle Promix is designed to give many years of trouble free operation. It is, however, important that the simple regular maintenance listed in this section is carried out. It is recommended that an approved Altrad Belle dealer carries out all major maintenance and repairs. Always use genuine Altrad Belle replacement parts, the use of spurious parts may void your warranty. Before any maintenance is carried out on the machine, ensure it is unplugged.

Routine Maintenance		Approx. 100 Hours	Approx 200 Hours
Motor Brushes	Check	✓	
	Change When Necessary		
Gearbox Case	Check / Replace		✓

The machine is fitted with self-deactivating carbon motor brushes. This means that the machine will automatically switch off once the brushes have been worn down to a certain level. See the instructions below on how to replace them

Replacing the Carbon Motor Brushes.

1. Using a flat-blade screwdriver, unscrew the two brush holders (8) which are located on either side of the motor casing.
2. Remove the worn out brushes, and replace with new brushes.
3. Re-tighten both brush holders (8) ensuring that the brushes are securely fitted.

Also keep the ventilation slits (4) clear of dirt and residue so that the machine can be cooled adequately.

Ce Manuel a été rédigé afin de vous aider à exploiter et à entretenir le Promix d'une façon sûre. Ce Manuel est conçu pour les concessionnaires et les exploitants du Promix.

Avant-propos

La section '**Description de la machine**' vous aide à vous familiariser avec l'ergonomie et les commandes de la machine.

Les sections '**Instructions concernant la sûreté**' et '**Directives de santé / sécurité**' expliquent comment utiliser la machine afin d'assurer votre sûreté et celle du public.

La section '**Mode d'emploi**' explique comment utiliser la machine d'une façon correcte.

La section '**Maintenance**' a pour objectif de vous aider avec la maintenance générale et l'entretien de votre machine.

La section '**Garantie**' explique en détail la nature de la garantie et la procédure de réclamation.

La section '**Déclaration de conformité**' indique les standards de fabrication de la machine.

Directives concernant la notation

Le texte de ce manuel auquel il est nécessaire de prêter une attention spéciale est indiqué des façons suivantes :



ATTENTION

Ce produit est en danger. L'échec d'effectuer correctement les procédures peut entraîner la détérioration de la machine et/ou votre blessure personnelle.



AVERTISSEMENT

La vie de l'opérateur peut être en danger.

AVERTISSEMENT



AVERTISSEMENT

VOUS DEVEZ LIRE et ETUDIER ce manuel avant d'exploiter cette machine ou d'entreprendre toute tâche de maintenance sur celle-ci.

SACHEZ comment utiliser d'une façon sûre les commandes de l'unité et les tâches à entreprendre pour la maintenance sûre de celle-ci. **NB** : Assurez-vous de connaître le moyen de commuter la machine hors tension avant de commuter celle-ci sous tension, en cas de problème.

Il faut **TOUJOURS** porter ou utiliser les articles de sûreté nécessaires pour assurer votre protection personnelle.

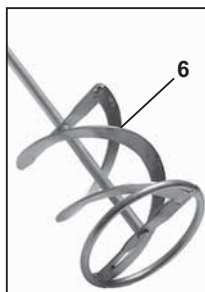
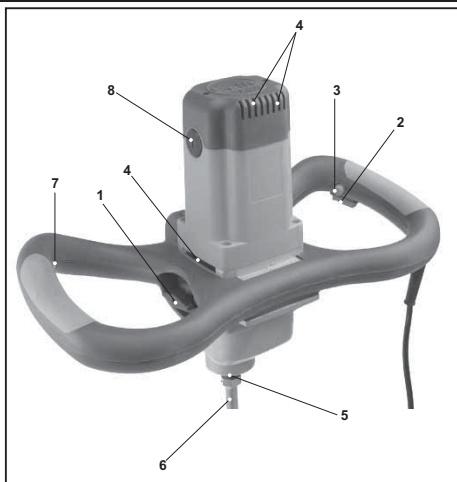
DEMANDEZ A VOTRE SUPERVISEUR OU CONTACTEZ Altrad Belle POUR DEMANDER **TOUTE QUESTION** concernant l'utilisation sûre ou la maintenance de cette machine.

Sommaire

Comment utiliser ce manuel	14
Avertissement	14
Description de la machine	15
Données techniques.....	15
Instructions concernant la sûreté.....	15
Directives de santé / sécurité	16
Contrôles de pré-démarrage	16
Mode d'emploi	16
Environnement	16
Emmagasinage.....	17
Maintenance	17
Garantie.....	17
Déclaration de conformité.....	2

Description de la Machine

F



1. Interrupteur de changement de vitesse
2. Gâchette
3. Bouton de blocage de gâchette
4. Fentes de ventilation
5. Arbre à filetage femelle M14
6. Pale mélangeuse
7. Cadran de vitesse variable
8. Porte-balais

Données techniques

F

Modèle	1200E	1600E
Poids total de la machine (kg)	7.0	7.8
Poids de la machine sans la pale (kg)	5.5	6.2
Hauteur de la machine * (mm)	865	865
Puissance (W)	1200	1600
Taille d'outillage	M14 x 2	M14 x 2
Diamètre maximal de pale mélangeuse (mm)	120	160
Niveau sonore (dB(A))	102	98
Volume de mélange (Ltrs)	113	227
Matières appropriées	Le plâtre Le ciment/le mortier L'adhésif à carrelage Le plâtre de revêtement	Le plâtre Le ciment/le mortier L'adhésif à carrelage Le plâtre de revêtement

Instructions concernant la sûreté

F

Pour votre propre protection personnelle et pour la sûreté des personnes autour de vous, veuillez lire les instructions suivantes concernant la sûreté et assurer que vous comprenez totalement celles-ci. L'action d'assurer que l'opérateur/l'opératrice comprend totalement l'emploi sûr de cette machine est la responsabilité de l'exploitant. Consultez votre superviseur ou Altrad Belle en cas d'incertitude concernant l'emploi sûr et correct du Promix.



AVERTISSEMENT

La maintenance incorrecte de la machine peut être dangereuse. Veuillez lire et comprendre cette section avant d'entreprendre toute tâche de maintenance, d'entretien ou de réparation sur celle-ci.

- Mettre en place un cordon de sécurité autour de la zone de travail et gardez les membres du public et le personnel non autorisé éloignés à une distance sûre de celle-ci.
- L'opérateur doit porter l'équipement de protection personnelle (EPP) approprié pendant chaque période d'utilisation de cette machine (voir Directives de santé / sécurité).
- Assurez-vous de connaître le moyen de commuter la machine **HORS TENSION** avant de commuter celle-ci **SOUS TENSION**, en cas de problème.
- Commutez toujours la machine **HORS TENSION** avant de déplacer celle-ci dans le site ou d'effectuer toute tâche d'entretien de celle-ci.
- Ne démontez ou ne violez jamais les carters protecteurs montés sur la machine, car ceux-ci sont là afin d'assurer votre protection. Contrôlez toujours l'état et la sécurité des carters protecteurs. Si les carters protecteurs sont détériorés ou manquants, **N'UTILISEZ PAS LE PROMIX** tant que tout carter protecteur détérioré ou manquant n'a pas été réparé ou remplacé.
- Ne faites pas fonctionner la machine si vous êtes malade, fatigué ou sous l'influence de l'alcool ou de médicaments.
- Assurez-vous que le conteneur de mélange soit positionné sur une zone de support plate et solide.
- Ne positionnez aucune partie du corps ou tout autre article à l'intérieur du conteneur de mélange pendant le procédé de mélange.

Vibration

Une certaine vibration de l'opération de mélange est transmise aux mains de l'opérateur par l'intermédiaire de la poignée de la machine.

Équipement de protection personnelle (EPP)

De l'EPP approprié doit être porté pendant l'utilisation de cette machine, c'est-à-dire des lunettes de protection, des gants, un protecteur d'oreilles et des chaussures à bout renforcé en acier.

Portez des vêtements appropriés pour le travail entrepris. Nouez les cheveux en arrière et enlevez tout bijou capable de s'accrocher sur les pièces mobiles de la machine.

Machines électriques

L'électricité peut tuer. Assurez toujours que la machine soit débranchée du secteur avant d'entreprendre toute tâche de maintenance/ réparation. N'utilisez jamais la machine dans des conditions humides.

Examen de pré-démarrage

L'examen de pré-démarrage suivant doit être effectué avant le commencement de chaque période de travail ou après chaque période de quatre heures d'exploitation, quelle que soit la première occasion. Veuillez consulter la section d'entretien pour visualiser la procédure détaillée. En cas de détection d'un défaut, le Promix ne doit pas être utilisé tant que ce défaut n'a pas été rectifié.

1. Examinez le Promix avec soin afin de détecter tout signe de détérioration. Contrôlez la présence et le serrage correct des composants. Prêtez une attention spéciale à la pale mélangeuse et assurez la fixation correcte de celle-ci à la poignée.
2. Examinez les câbles électriques avec soin afin de détecter tout signe de détérioration tel que des fils dénudés. Réparez tout fil dénudé avant de faire fonctionner la machine.

**AVERTISSEMENT**

VOUS DEVEZ LIRE et ETUDIER ce manuel avant d'exploiter cette machine ou d'entreprendre toute tâche de maintenance sur celle-ci.

Exploitez toujours la machine avec les deux mains positionnées sur la poignée de celle-ci.

Appuyez sur la gâchette (2) et retenez celle-ci appuyée pour commencer le procédé de mélange.

Lorsque la gâchette (2) est dans la position de mise sous tension [ON], poussez le bouton de blocage de gâchette (3). Ceci retiendra la gâchette (2) dans la position de mise sous tension [ON] sans utiliser votre main.

Pour arrêter la machine, poussez et relâchez la gâchette (2).

Les machines comportant une boîte à 2 vitesses ont 2 vitesses disponibles. La première vitesse est la vitesse lente et la deuxième vitesse est la vitesse rapide. Pour changer d'une vitesse à l'autre, tournez l'interrupteur de changement de vitesse (1) 180°. Un cadran de vitesse variable (7) est aussi disponible afin de vous permettre de varier la vitesse de la machine pendant l'utilisation de l'une ou de l'autre des 2 vitesses.

Réduisez toujours la vitesse pendant le positionnement de la pale mélangeuse (6) dans la matière à mélanger ou pendant l'extraction de la pale mélangeuse (6) hors de la matière mélangée. Lorsque la pale mélangeuse (6) est totalement délogée de la matière mélangée, accroître à nouveau la vitesse afin d'assurer le refroidissement adéquat du moteur de la machine.

Pendant le procédé de mélange, déplacez lentement la machine autour du conteneur de mélange. Continuez cette action jusqu'au mélange complet de la matière à mélanger.

Lorsque le procédé de mélange est terminé, nettoyez la pale mélangeuse (6) afin d'empêcher toute accumulation de saleté et de résidus.

Remarque: Les numéros indiqués entre parenthèses correspondent à ceux utilisés dans les illustrations fournies dans la section 'Description de la machine' du présent manuel.

**Mise au rebut sûre**

Instructions pour la protection de l'environnement.

La machine comporte des matières de valeur. Confiez la machine à mettre au rebut et ses accessoires à un établissement de recyclage approprié.



Emmagasinage

F

La machine doit être emmagasinée dans un endroit sec non exposé aux températures extrêmes.

Maintenance

F

Remarque : Veuillez assurer qu'un électricien qualifié effectue toutes les procédures de maintenance.

Le Promix Altrad Belle est conçu de façon à fournir de nombreuses années de service sans problème. Cependant, il est important d'effectuer les simples procédures de maintenance listées dans cette section. Il est conseillé qu'un concessionnaire Altrad Belle effectue toute la maintenance et les réparations importantes. Utilisez toujours des pièces de rechange Altrad Belle car l'utilisation de fausses pièces peut annuler la garantie. Assurez-vous que la machine est débranchée du secteur avant d'entreprendre toute tâche de maintenance sur la machine.

Maintenance Périodique		Approx. toutes les 100 Heures	Approx. toutes les 200 Heures
Balais de Moteur	Contrôler	✓	
	Remplacer en cas de besoin		
Graisse de boîte de vitesses	Contrôler / Remplacer		✓

La machine comporte des balais de moteur en charbon autodéséxcitants. Ceci signifie que la machine se commute automatiquement hors tension lorsque l'usure des balais excède un certain niveau. Voir les instructions ci-dessous pour visualiser la procédure de remplacement des balais.

Remplacement des balais de moteur en charbon

1. Utilisez un tournevis à lame plate, dévissez les deux porte-balais (8) positionnés de chaque côté du carter de moteur.
2. Déposez les balais usés et remplacez ceux-ci avec des nouveaux balais.
3. Resserrez les deux porte-balais (8) en assurant la fixation solide de ceux-ci.

Gardez aussi les fentes de ventilation (4) propres, sans accumulation de saleté et de résidus afin de permettre le refroidissement adéquat de la machine.

Este manual ha sido creado como ayuda en la operativa y mantenimiento de la Promix. Va dirigido a distribuidores y usuarios de la Promix.

Introducción

La sección **Descripción de la Máquina** ayuda a familiarizarse con los componentes y control del equipo.

Las secciones de **Instrucciones de Seguridad** y **Seguridad e Higiene** explican cómo usar la máquina con seguridad para usted así como con seguridad en general para el público.

La sección de **Instrucciones de Manejo** explica como usar el equipo de forma correcta.

La sección de **Mantenimiento** ayuda al mantenimiento y servicio en general de la máquina.

La sección **Garantía** detalla la cobertura de la misma y procedimiento de reclamación.

La sección de **Declaración de Conformidad** muestra las normas bajo las que el equipo ha sido fabricado

Directivas con respecto a las notas.

Comprobar en este manual la atención especial que debe ser tenida en las notas que se muestran a continuación:



ATENCIÓN

El producto puede representar un riesgo. El incumplimiento de los procedimientos indicados podrá dañar la máquina o lesionar al operador.



AVISO

La vida del operador corre riesgo.

AVISO



AVISO

*Antes de operar o realizar ningún trabajo de mantenimiento en esta máquina **LEA Y APRENDA BIEN** todas las instrucciones dadas en este manual.*

APRENDA a emplear con seguridad los comandos de la máquina y lo que se debe hacer para lograr un mantenimiento seguro.

(**NOTA:** Aprenda bien a desconectar la máquina antes de conectarla, en caso de que se enfrente con dificultades.)

Lleve o use **SIEMPRE** los equipos de protección personal necesarios.

En caso de **DUDAS** sobre el uso o mantenimiento seguros de la máquina, **LLAME A SU SUPERVISOR O CONTACTE Altrad Belle:**

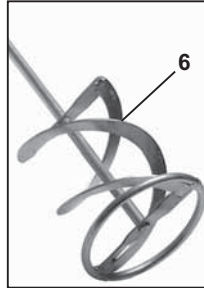
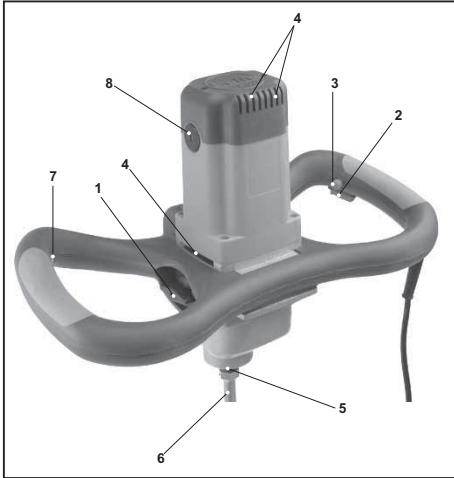
+44 (0)1298 84606

Índice

Cómo usar este manual	18
Aviso	18
Descripción de la Máquina	19
Datos Técnicos	19
Instrucciones de Seguridad	19
Seguridad de Higiene	20
Chequeo previo a Puesta en Marcha	20
Instrucciones de Manejo	20
Medio Ambiente	20
Almacenaje	21
Mantenimiento	21
Garantía	21
Declaración de Conformidad	2

Descripción de la máquina

E



1. Interruptor Caja Engranaje
2. Activador
3. Cierre Activador
4. Ranuras Ventilación
5. Eje con Rosca Interior Hembra M14
6. Palas de Mezclado
7. Dispositivo Variación Velocidad
8. Porta Escobillas

Datos Técnicos

E

Model	1200E	1600E
Peso total (kg)	7.0	7.8
Peso Undad. – Sin palas (kg)	5.5	6.2
Altura Undad * (mm)	865	865
Fuerza (W)	1200	1600
Medida Herramienta	M14 x 2	M14 x 2
Diam.Máx. Palas Amasado (mm)	120	160
Nivel de Ruido (dB(A))	102	98
Volumen de Mezcla (Ltrs)	113	227
Materiales Apropriados	Rappauslaasti Sementti/ muurauslaasti Laattalaasti Tasoitteet	Rappauslaasti Sementti/ muurauslaasti Laattalaasti Tasoitteet

Instrucciones de Seguridad

E

Por su protección personal y para la de aquéllos a su alrededor, por favor lea y asegúrese de que entiende totalmente la siguiente información sobre seguridad. Es responsabilidad del usuario el asegurarse de que él / ella comprenden el manejo seguro y absoluto de este equipo. Si no está seguro acerca del seguro y correcto uso de la Promix, consulte a su encargado ó a Belle – Group.



PRECAUCION

Mantenimiento inadecuado puede ser peligroso. Lea y comprenda esta sección antes de realizar cualquier mantenimiento, servicio ó reparación

- Despejar el área de trabajo y a cualquier persona ajena a una distancia de seguridad.
- Equipo Protección Personal (EPP) debe ser llevado por el operario cuando cualquiera de estos equipos es usado (Ver Seguridad e Higiene).
- Cerciorarse de que sabe como apagar con seguridad la máquina **OFF** antes de enchufar **ON** en caso de problema ó dificultad.
- Siempre situar el enchufe en posición **OFF** antes de transporte, ó cambio de lugar de trabajo.
- Nunca retire ni las protecciones puestas. Están para su protección. Siempre comprobar en que condiciones se encuentran y su seguridad. Si se encontraran dañadas ó no estuvieran **NO USAR LA PROMIX** hasta que las guardas hayan sido sustituidas ó reparadas.
- Si se encuentra enfermo, cansado ó bajo la influencia de alcohol ó drogas no trabaje con la máquina.
- Comprobar que la cuba de mezclado está situada zona plana y firme.
- No introducir zonas corporales u objetos en la cuba de mezclado durante el amasado.

E

Seguridad e Higiene

Vibración.

Algo de vibración en el trabajo de amasado es transmitida a través de la empuñadura a las manos del operario.

EPP (Equipo de Protección Personal).

Un apropiado EPP debe ser llevado cuando se trabaje con el equipo ej, Gafas de Seguridad, Guantes, Protector oídos. Defensas, y calzado con punta de acero. Vestir con ropa adecuada al trabajo que vaya a realizar. Mantener sujeto el cabello largo y retirar cualquier tipo de adorno que pudiera engancharse con las partes móviles del equipos.

Máquinas Eléctricas

¡La Electricidad puede matar! Siempre asegurarse de que a máquina se encuentra desconectada de la fuente de suministro antes de hacer trabajos de mantenimiento ó reparación. Nunca trabajar con condiciones de humedad.

E

Comprobación Inicial

Inspección Pre-Arranque

La siguiente inspección Pre-Arranque debe ejecutarse antes del inicio de cada sesión de trabajo ó cada cuatro horas de uso, da igual cual sea la primera. Ver por favor la sección de servicio para una correcta guía. Si algún fallo es descubierto no se debe trabajar con la Promix hasta que este no haya sido corregido.

1. Inspeccionar con detenimiento la Promix de posibles daños. Verificar que sus componentes están en buenas condiciones. Poner especial atención en la pala de amasado, y ver que se encuentra perfectamente montada.
2. Comprobar que los cables eléctricos estas en perfectas condiciones. Arreglar las zonas de los cables expuestas si las hubiere.

E

Instrucciones de Manejo



AVISO

*Antes de operar o realizar ningún trabajo de mantenimiento en esta máquina **LEA Y APRENDA BIEN** todas las instrucciones dadas en este manual.*

Trabajar siempre con las dos manos sobre la empuñadura de la máquina.

Presionar y mantener el Activador de Arranque (2) para iniciar el proceso de mezclado.

Una vez que el Activador (2) está en la posición 'ON', pulse el botón de cierre del Activador (3). Este mantendrá el Activador (2) sobre la posición 'ON' sin que precise de su mano.

Para detener la máquina, pulse y libere el Activador (2).

Máquinas con dos cajas de engranajes de dos (2) velocidades disponibles. La primera caja de engranajes es de velocidad lenta, y la segunda caja de velocidad rápida. Para cambiar de una a otra, girar el Interruptor (1) 180°. Existe además un dispositivo de variación de velocidad (7) disponible que permite modificar la velocidad de la máquina cuando se use en cualquier de las dos opciones.

Reducir siempre la velocidad cuando se introduzca la pala de amasado dentro del material a mezclar. Igualmente en el momento de su retirada. Una vez la pala de mezclado (6) se encuentre completamente limpia del material amasado, incrementar la velocidad de nuevo para comprobar que el motor se encuentra adecuadamente frío.

Durante el proceso de amasado, mover la máquina lentamente alrededor de la cuba de mezclado. Esta acción debería mantenerse hasta que todo el material está bien mezclado.

Una vez que el proceso de mezcla ha sido completado, limpiar la pala de mezclado (6) de suciedad y residuos.

Nota: Los numeros mostrados entre paréntesis se refieren a la imagen mostrada de la máquina. Sección Descripción de la Máquina de este Manual .

E

Medio Ambiente



Deshecho con Seguridad

Instrucciones para la protección del medio-ambiente

La manquina monta materiales reciclables. Desmontar los accesorios y partes a deshechar de las reciclables.



Almacenaje

E

La máquina debería ser almacenada en una zona seca y no ser expuesta a temperaturas extremas.

Mantenimiento

E

Nota: Asegurarse por favour de que un electricista experto lleva a cabo los procedimientos de mantenimiento.

La Megamix de Altrad Belle Promix ha sido diseñada para ser usada durante años sin problema alguno. Es sin embargo, importante que el simple y continuo mantenimiento descrito en esta sección sea llevado a cabo. Es recomendable que un distribuidor autorizado por Altrad Belle realice la mayor parte del mantenimiento y reparaciones. Siempre emplee repuesto original de Altrad Belle ya que la utilización de recambio no original puede anular la garantía. Antes de que cualquier operación de mantenimiento sea llevada a cabo en la máquina cerciorarse de que ésta está desenchufada.

Rutina de Mantenimiento		Approx. 100 Horas	Approx 200 Horas
Escobillas Motor	Chequeo	✓	
	Cambio cuando sea preciso		
Engrase Engranaje	Chequeo / Cambio		✓

La máquina va provista de escobillas de carbon del motor auto-desactivantes.

Esto significa que la unidad se parará automaticamente toda vez que el desgaste de las escobillas alcancen un cierto nivel. Ver las instrucciones de cambio más abajo.

Sustitución de las Escobillas de Carbon del Motor.

1. Usar un destornillador de punta plana, y desatornillar lo s dos soportes de las escobillas (8) situados a cada lado del compartimento del motor.
2. Q uitar las escobillas desgastadas, y reemplazarlas por unas nuevas.
3. Re-apretar los dos soportes de las escobillas (8) asegurándose de que las escobillas quedan bien sujetas. .

Mantener además las ranuras de ventilación (4) limpiezas de suciedad con el fin de que la unidad se mantenga debidamente fría.

Este manual foi elaborado para o ajudar a operar e assistir em segurança a Promix.
Destina-se a todos os revendedores e operadores da Promix.

Conteúdo

O capítulo **Descrição da Máquina** ajuda-o a familiarizar-se com os controlos e a configuração da máquina.

Os capítulos de **Segurança Geral e de Segurança e Saúde** explicam como utilizar a máquina de modo seguro para Si e para o público em geral.

O capítulo de **Instruções de Operação** ensina-lhe a utilizar a máquina correctamente.

A secção de **Manutenção** informa-o da manutenção e assistência geral da sua máquina.

O capítulo **Garantia** descreve a natureza da cobertura da garantia e procedimentos de reclamação.

A secção **Declaração de Conformidade** certifica os padrões a que está sujeito o fabrico do equipamento.

Directivas respeitantes a notas

Os textos, neste manual, ao qual se deve prestar especial atenção, são apresentados da seguinte forma:



CAUIDADO

O produto pode constituir um risco. A máquina ou o seu operador poderão sofrer danos ou ferimentos se os procedimentos não forem escrupulosamente respeitados.



AVISO

A vida do operador pode correr perigo.



AVISO

*Antes de operar a máquina ou realizar qualquer operação de manutenção, **DEVERÁ LER e ESTUDAR** este manual.*

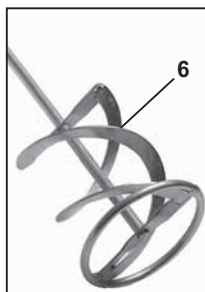
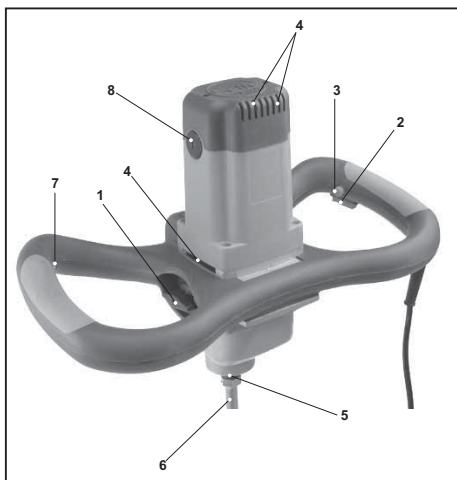
CONHEÇA a utilizar os controlos da unidade com segurança e como deverá proceder para a manutenção de forma segura. (Observação: Certifique-se de que sabe desligar a máquina antes de a ligar, para o caso de se encontrar em dificuldades.)

Envergue ou utilize **SEMPRE** o equipamento de segurança adequado para a sua protecção pessoal. Caso **TENHA QUAISQUER DÚVIDAS** sobre a utilização ou manutenção segura desta unidade, **PERGUNTE AO SEU SUPERVISOR OU ENTRE EM CONTACTO COM A Altrad Belle: +44 (0)1298 84606**

Utilização deste Manual	22
Aviso	22
Descrição da Máquina	23
Dados Técnicos	23
Segurança Geral	23
Saúde e Segurança	24
Verificações Preliminares	24
Instruções de Operação	24
Ambiente	24
Armazenagem	25
Manutenção	25
Garantia	25
Certificado de Conformidade CE	2

Descrição da Máquina

P



1. Interruptor de mudança de engrenagem
2. Gatilho
3. Fecho de segurança do gatilho
4. Orifícios de ventilação
5. Eixo com rosca fêmea M14
6. Pá de mistura
7. Botão de regulação da velocidade
8. Suportes das escovas

Dados Técnicos

P

Modelo	1200E	1600E
Peso total da Máquina (kg)	7.0	7.8
Peso da Máquina – Excluindo a Pá (kg)	5.5	6.2
Altura da Máquina* (mm)	865	865
Potência (W)	1200	1600
Dimensões da ferramenta	M14 x 2	M14 x 2
Diâmetro Máximo da Pá de Mistura (mm)	120	160
Nível de ruído (dB(A))	102	98
Volume da Mistura (Ltrs)	113	227
Materiais adequados	Gesso Cimento / Argamassa Colapara Azulejos Reboco	Gesso Cimento / Argamassa Colapara Azulejos Reboco

Segurança Geral

P

Para sua segurança e dos que o rodeiam, ler e assegurar-se que compreendeu na totalidade a informação que se descreve neste capítulo. É da responsabilidade do operador assegurar-se que percebeu na íntegra o modo de operar este equipamento em segurança. Se tiver dúvidas de como operar correctamente a Promix, consultar o Distribuidor da Altrad Belle.



CUIDADO

Uma manutenção inadequada pode ser perigosa. Ler e Compreender este capítulo antes de efectuar quaisquer trabalhos de manutenção, assistência ou reparação.

- Delimitar a área de trabalho e manter o pessoal não autorizado e o público em geral a uma distância de segurança.
- O operador deverá usar o Equipamento de Segurança Pessoal (PPE) sempre que este esteja recomendado (consultar capítulo Saúde e Segurança).
- Certifique-se que sabe **DESLIGAR (OFF)** a máquina antes de **LIGAR (ON)**, para o caso de surgir algum imprevisto.
- Desligar **SEMPRE** o motor da máquina antes de a transportar, de a mover no local de trabalho ou de a assistir.
- Não retirar ou modificar qualquer das protecções que estão montadas. Estas são para sua segurança. Verificar sempre o estado e a fixação das mesmas. Se estiverem danificadas ou em falta, **NÃO USAR A PROMIX** até a protecção ter sido reparada ou reposta.
- Não operar a máquina se estiver doente, se se sentir cansado ou se estiver debaixo da influência de álcool ou drogas.
- Assegurar-se que a cuba de mistura está colocada numa superfície firme e nivelada.
- Não colocar nenhuma parte do corpo ou quaisquer objectos na cuba durante o processo de mistura.

Vibração

Alguma da vibração produzida na operação da serra de pavimentos é transmitida pela pega às mãos do operador. As serras de pavimentos da Altrad Belle foram especialmente concebidas para reduzir os níveis de vibração na mão e no braço.

Equipamento de Protecção Pessoal (PPE)

Deve-se usar equipamento de protecção pessoal adequado quando se utiliza esta máquina, por ex. Óculos de Segurança, Luvas, Protectores dos Ouvidos, Máscara de Poeiras e Botas com Ponteira de Aço. Também o vestuário deverá ser o adequado para o trabalho que irá efectuar. Deve-se-á prender o cabelo comprido e retirar as jóias que poderão eventualmente ficar presas nas peças rotativas da máquina.

Máquinas Eléctricas

Um choque eléctrico pode matar! Certifique-se sempre que a máquina está desligada da fonte de potência principal antes de efectuar quaisquer manutenções e/ou reparações. Nunca usar a máquina em situações em que esta se possa molhar ou em ambientes húmidos.

Verificações Preliminares

Inspeções Preliminares

Só se deve ligar a máquina depois de realizadas as verificações que abaixo se descrevem, antes do início de cada sessão de trabalho e a cada quatro horas de utilização. Consultar o capítulo de Manutenção para informação detalhada. Se se descobrir alguma avaria, a Promix não deve ser usada até essa avaria estar reparada.

1. Inspeccionar cuidadosamente na Promix se existem sinais de danos. Verificar se não falta nenhum componente e respectivas fixações. Prestar uma atenção especial à pá de mistura e assegurar-se que está correctamente fixa à pega.
2. Verificar se não existem fios expostos nos cabos eléctricos. Caso contrário, reparar a áreas de fios expostos antes de operar.

Instruções de Operação

**AVISO**

Antes de operar a máquina ou realizar qualquer operação de manutenção, **DEVERÁ LER e ESTUDAR** este manual.

Operar sempre a máquina com ambas as mãos na pega.

Premir e manter nessa posição o gatilho (2) para começar o processo de mistura.

Assim que o gatilho (2) estiver na posição de ligar 'ON', premir o botão do bloqueio do gatilho (3). Este bloqueio manterá o gatilho (2) na posição de ligar 'ON' sem necessidade de usar o dedo.

Para parar a máquina, premir para libertar o gatilho (2).

As máquinas com caixa de engrenagens de 2 velocidades permitem ter disponíveis 2 mudanças. A primeira mudança é a velocidade baixa e a segunda é a velocidade rápida. Para mudar de uma velocidade para a outra, rodar 180° o interruptor de mudança de velocidade (1). Também existe um Botão de Regulação da Velocidade (7) que permite variar a velocidade da máquina quando se está em qualquer uma das 2 mudanças.

Reduzir sempre a velocidade quando colocar a pá de mistura no material a misturar e também quando a estiver a retirar. Assim que a pá (6) estiver fora da mistura aumentar a velocidade para o motor arrefecer convenientemente.

Durante o processo de mistura, mover devagar a máquina por toda a cuba. Este procedimento deve ser feito continuamente até todo o material ficar bem misturado.

Assim que o processo de mistura tiver finalizado, limpar a pá (6) para evitar a acumulação de resíduos e sujidades.

Nota: Os números mostrados entre parênteses referem-se às figuras apresentadas no capítulo Descrição da Máquina deste manual.

Ambiente

**Descartar em Segurança**

Instruções para protecção do Ambiente

A máquina contém materiais valiosos. Levar as peças e acessórios a descartar aos centros de reciclagem autorizados.



Armazenagem

P

A máquina deve ser guardada em local seco onde não fique exposta a situações de temperaturas extremas.

Manutenção

P

Nota: Todos os trabalhos de manutenção devem ser efectuados por electricistas qualificados.

A Promix da Altrad Belle foi concebida para trabalhar durante muitos anos sem ter avarias. É, contudo, importante que a manutenção simples descrita neste capítulo seja efectuada. Recomenda-se também que para qualquer manutenção ou avaria principais sejam efectuadas por um representante da Altrad Belle. Utilizar sempre peças originais nas reparações e manutenções. A utilização de peças de origem duvidosa anulará a garantia. Antes de se efectuar qualquer trabalho de manutenção deve-se assegurar que a máquina está desligada da electricidade.

Manutenções de Rotina		Aprox. 100 Horas	Aprox 200 Horas
Escovas do Motor	Verificar	✓	
	Mudar quando necessário		
Lubrificante da Caixa de Engrenagens	Verificar / Mudar		✓

A máquina está equipada com escovas de carbono de auto-desactivação no motor. Isto significa que a máquina desliga automaticamente assim que as escovas atingirem um certo nível de desgaste. Segue-se as instruções para mudança das escovas.

Substituição das escovas de carbono do motor

1. Usando uma chave de parafuso normal, desapertar os dois suportes (8) das escovas que estão localizados em cada um dos lados do compartimento do motor.
2. Retirar as escovas gastas e substituí-las por novas.
3. Re-apertar os dois suportes (8) das escovas, assegurando-se que estas ficam montadas firmemente.

Manter também sempre os orifícios de ventilação (4) sem sujidades ou resíduos para que a máquina possa arrefecer convenientemente.

In deze handleiding leest u hoe u de Trilstamper veilig kunt bedienen en onderhouden.
De handleiding is bedoeld voor de dealers en operators van deze machine.

Voorwoord

Aan de hand van de informatie in de paragraaf '**Machinebeschrijving**' raakt u vertrouwd met het ontwerp en de regelaars van de machine.

In de paragrafen '**Algemene veiligheid**' en '**Gezondheid en veiligheid**' vindt u de gebruiksvoorschriften voor de machine met het oog op uw eigen veiligheid en die van anderen.

In de paragraaf '**Onderhoud**' wordt het algemeen onderhoud van de machine beschreven.

In de paragraaf '**Garantie**' wordt de aard van de garantie beschreven, alsmede de procedure voor het indienen van claims.

Onder '**Conformiteitsverklaring**' worden de normen beschreven waaraan deze machine voldoet.

Richtlijnen met betrekking tot de tekstweergave.

Passages in deze handleiding die om extra aandacht vragen, worden als volgt weergegeven:



VOORZICHTIG

Volg de gebruiksvoorschriften nauwlettend op ter voorkoming van onveilige situaties, persoonlijk letsel en schade aan de machine.



WAARSCHUWING

Niet-naleving van de gebruiksvoorschriften kan tot gevaarlijke situaties leiden.

Waarschuwing



WAARSCHUWING

Lees deze handleiding aandachtig door alvorens de machine in gebruik te nemen of onderhoudswerkzaamheden te verrichten.

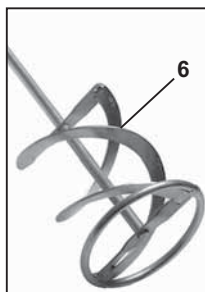
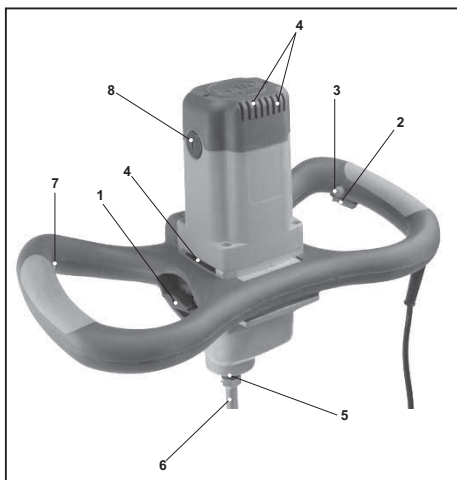
Zorg dat u vertrouwd bent met de machineregelaars en lees hoe u de machine veilig kunt onderhouden. (N.B.: zorg, in verband met noodsituaties, dat u weet hoe u de machine moet uitzetten alvorens deze in te schakelen.)

Draag altijd geschikte veiligheidskleding.

Mocht u vragen hebben over de gebruiks- en onderhoudsvoorschriften voor deze machine, neem dan contact op met uw opzichter of met **Altrad Belle: +44 (0)1298 84606**

Inhoud

Gebruik van deze handleiding.....	26
Waarschuwing	26
Machinebeschrijving	27
Technische gegevens	27
Algemene veiligheid	27
Gezondheid en Veiligheid.....	28
Controles bij stilstaande Motor.....	28
Bedieningsvoorschriften	28
Milieu	28
Opslag	29
Onderhoud	29
Garantie.....	29
Conformiteitsverklaring.....	2



1. Snelheidsomschakelaar
2. Trekkerschakelaar
3. Vergrendeling trekkerschakelaar
4. Ventilatiesleuven
5. As met M14 binnendraad
6. Mengschroef
7. Draaischijf voor snelheidsregeling
8. Borstelhouders

Technische Gegevens

Model	1200E	1600E
Totaal gewicht machine (kg)	7.0	7.8
Gewicht machine - exclusief mengschroef (kg)	5.5	6.2
Machiehoopte * (mm)	865	865
Vermogen (W)	1200	1600
Afmetingen gereedschap	M14 x 2	M14 x 2
Grootste diameter mengschroef (mm)	120	160
Geluidsniveau (dB(A))	102	98
Mengvolume (Ltrs)	113	227
Geschikte materialen	Pleisterkalk Cement / Mortel Tegellijm Raapspecie	Pleisterkalk Cement / Mortel Tegellijm Raapspecie

Algemene Veiligheid

Lees voor uw eigen veiligheid en die van anderen de volgende informatie aandachtig door. De operator moet ervoor zorgen dat hij volledig vertrouwd is met de gebruiksvorschriften voor deze machine. Mocht u vragen hebben over deze trilstampen, neem dan contact op met uw opzichter of met Altrad Belle



VOORZICHTIG

Verkeerd gebruik of nderhond kan gevaarlijk zijn. Zorg dat u vertrouwd bent met de inhoud van deze paragraaf voordat u onderhouds- of reparatiewerkzaamheden uitvoert.

- Zet het werkgebied af en houd toeschouwers en voorbijgangers en onbevoegd personeel op een veilige afstand.
- De bediener is verplicht telkens persoonlijke beschermingsmiddelen (PBM) te dragen wanneer hij/zij deze machine gebruikt (zie Gezondheid & Veiligheid).
- Zorg dat u weet hoe u deze machine op veilige wijze **UIT** kunt schakelen voordat u die inschakelt, voor het geval dat u in moeilijkheden mocht raken.
- Zet deze machine altijd **UIT** alvorens die te vervoeren, op het werkteerrein te verplaatsen of te onderhouden.
- Verwijder nooit, en verander nooit iets aan, beschermkappen, ze zitten er voor uw bescherming.
- Controleer altijd of beschermkappen in goede staat verkeren en of ze goed bevestigd zijn; mocht er een van beschadigd zijn of ontbreken, **GEBRUIK DE PROMIX DAN PAS WEER** wanneer de beschermkap is vervangen of gerepareerd.
- Werk niet met de machine wanneer u ziek bent, u zich moe voelt, of wanneer u onder invloed van alcohol of medicijnen verkeert.
- Zorg dat de mengkuip op een vlakke en stevige ondergrond staat.
- Kom niet met enig deel van uw lichaam of met enige ander voorwerp in de mengkuip tijdens het mengen.



Gezondheid en veiligheid

Trillingen

Bepaalde, tijdens het mengen tweegebrachte trillingen worden via de handgreep doorgegeven naar de handen van de bediener.

Persoonlijke beschermingsmiddelen (PBM)

Er dienen geschikte persoonlijke beschermingsmiddelen gedragen te worden bij gebruik van dit apparaat, d.w.z. veiligheidsbril, handschoenen, gehoorbeschermers en schoeisel met een stalen neus. Draag kleding die geschikt is voor de werkzaamheden waar u mee bezig bent. Bind lang haar samen en draag geen sieraden die in de bewegende onderdelen van de machine verstrikt kunnen raken.

Elektrische machines

Elektriciteit kan dodelijk zijn! Koppel de machine altijd eerst los van de voeding alvorens welke onderhouds-/reparatiewerkzaamheden ook te gaan uitvoeren. Gebruik de machine nooit in natte omstandigheden.



Controles bij stilstaande motor

Controle vóór aanvang van de werkzaamheden

De volgende controle moet vóór aanvang van iedere werkperiode of na elke vier bedrijfsuren, welke van beide zich het eerst voordoet, uitgevoerd worden. Raadpleeg de sectie Onderhoud voor meer informatie. Indien er wat voor storing dan ook wordt aangetroffen, mag de Promix pas weer gebruikt worden als de storing is verholpen.

1. Inspecteer de Promix grondig op tekenen van beschadiging. Controleer of er geen componenten ontbreken en of ze goed bevestigd zijn. Besteed met name aandacht aan de mengschroef, en controleer of die juist aan de machine is bevestigd.
2. Controleer elektriciteitskabels op blootliggende aders. Repareer eventuele blootliggende delen alvorens met de machine te gaan werken.



Bedieningsvoorschriften



WAARSCHUWING

Lees deze handleiding aandachtig door alvorens de machine in gebruik te nemen of onderhoudswerkzaamheden te verrichten.

Bedien de machine altijd met beide handen om de handgreep.

Druk op de trekkerschakelaar (2) en houd die ingedrukt om met mengen te beginnen.

Duw, als de trekkerschakelaar (2) in de aan-stand ('ON') staat, tegen de vergrendelknop (3) van de trekkerschakelaar. Dan blijft de trekkerschakelaar (2) in de aan-stand ('ON') staan zonder dat u uw vinger hoeft te gebruiken.

Duw op de trekkerschakelaar (2) en laat die los om met mengen te stoppen.

Machines met een tweeversnellingsinrichting zijn in 2 snelheden schakelbaar. De eerste versnelling is de lage snelheid, en de tweede versnelling is de hoge snelheid. U schakelt van de ene versnelling op de andere over door de snelheidsomschakelaar (1) door 180° te draaien. Ook is er een draaischijf (7) voor snelheidsregeling verkrijgbaar; hiermee kunt de snelheid van de machine regelen bij gebruik van één van beide versnellingen.

Verlaag de snelheid altijd wanneer u de mengschroef in het te mengen materiaal plaatst, en ook wanneer u die er uithaalt. Verhoog, zodra de mengschroef (6) helemaal vrij van het mengmateriaal is, de snelheid weer om ervoor te zorgen dat de motor voldoende wordt afgekoeld.

Beweeg de machine tijdens het mengen langzaam rond in de mengkuip. Ga hiermee door totdat al het te mengen materiaal gemengd is.

Maak, zodra het mengen klaar is, de mengschroef (6) schoon zodat er geen vuil en resten gaan aankloeken.

Opmerking: De nummers tussen haakjes verwijzen naar de afbeeldingen in de sectie Machinebeschrijving in de handleiding.



Milieu



Veilig afdanken.

Aanwijzingen ter bescherming van het milieu.

De machine bevat waardevolle materialen. Breng

de afgedankte machine en accessoires naar het aangewezen recyclingbedrijf.



De machine dient opgeslagen te worden op een droge plek welke niet blootstaat aan extreme temperaturen.

Onderhoud

Opmerking: Laat alle onderhoudswerkzaamheden door een bevoegd elektromonteur uitvoeren.

De Promix van de Belle Groep is zo ontworpen dat deze vele jaren lang storingvrij zal werken. Het is echter belangrijk dat het eenvoudige, in deze sectie beschreven geregeld onderhoud wordt uitgevoerd. Aanbevolen wordt al het grote onderhoud en grote reparaties door een door de Belle Groep erkende dealer te laten uitvoeren. Gebruik altijd originele reserveonderdelen van de Belle Groep, het gebruik van niet-originele onderdelen kan uw garantie ongeldig maken. Trek de stekker van de machine eruit alvorens wat voor onderhoudswerkzaamheden dan ook uit te voeren.

Geregeld Onderhoud		Ca. 100 Uur	Ca. 200 Uur
Koolborstels	Controleren	✓	
	Indien nodig, vervangen		
Smeervet voor Versnellingsinrichting	Controleren / Verversen		✓

De machine is voorzien van automatisch uitschakelende koolborstels. Dit houdt in dat de machine automatisch uitschakelt als de borstels eenmaal tot een bepaald niveau zijn afgesleten. Zie de instructies over het vervangen ervan bij

Vervangen van de koolborstels hieronder.

1. Schroef de twee borstelhouders (8) aan beide kanten van de motorkast los met een schroevendraaier met een plat blad.
2. Verwijder de versleten borstels en vervang ze door nieuwe borstels.
3. Draai beide borstelhouders (8) weer vast en zorg er daarbij voor dat de borstels goed bevestigd worden.

Houd ook de ventilatiesleuven (4) vrij van vuil en resten zodat de machine goed kan afkoelen.



Anvendelse af denne manual

Denne manual er skrevet for at hjælpe dig med at anvende og vedligeholde Promix sikkert. Manualen er tiltænkt forhandlere og brugere af Promix.

Forord

Afsnittet '**Beskrivelse af maskinen**' hjælper dig med at gøre dig bekendt med maskinens indretning og kontrolenheder.

Afsnittene '**Sikkerhedsinstruktioner**' og '**Helbred og sikkerhed**' forklarer hvordan maskinen skal anvendes for at sikre både din egen og offentlighedens sikkerhed.

Afsnittet '**Driftsvejledninger**' beskriver hvordan maskinen skal anvendes korrekt.

Afsnittet '**Vedligeholdelse**' hjælper dig med den generelle vedligeholdelse og servicering af din maskine.

Afsnittet '**Garanti**' beskriver karakteren af garantiens dækning, samt procedurer i forbindelse med fordringer.

Afsnittet '**Overensstemmelseserklæring**' viser de standarder i forhold til hvilken denne maskine er konstrueret.

Retningslinier i forhold med tegn

Tekst, der i denne manual kræver særlig opmærksomhed, er markeret på følgende måde:



FORSIGTIG

Produktet kan udgøre en risiko. Maskinen kan lide skade, eller du kan selv komme til skade, hvis den korrekte fremgangsmåde ikke følges.



ADVARSEL

Brugerens liv kan være i fare.



ADVARSEL



ADVARSEL

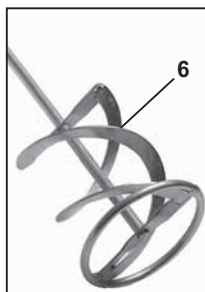
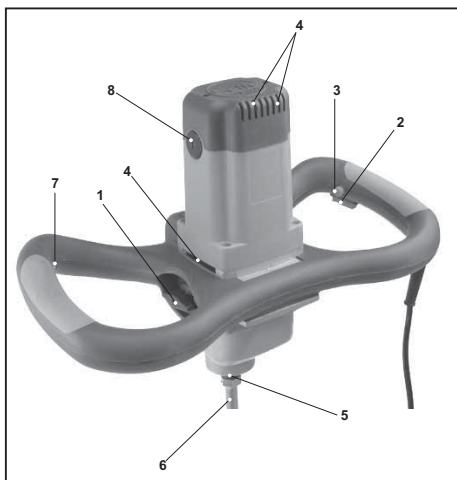
*Før du betjener denne maskine eller udfører vedligehold på den **SKAL DU LÆSE** og **FORSTÅ** denne håndbog.*

Du skal **VIDE**, hvordan du bruger enhedens kontrolknapper og betjeningsgreb på sikker vis, og hvad du skal gøre for at kunne udføre sikker vedligeholdelse. (NB: Sørg for at vide, hvordan du slukker for maskinen, før du tænder for den for det tilfælde, at du får problemer.) Brug **ALTD** de nødvendige personlige værnemidler. Hvis du har **SPØRGSMÅL** om sikkerheden i forbindelse med brug eller vedligeholdelse af denne enhed, skal du **SPØRGE DIN OVERORDNEDE ELLER HENVENDE DIG TIL** Altrad Belle: **+44 (0)1298 84606**



Indholdsfortegnelse

Anvendelse af denne manual	30
Advarsel.....	30
Beskrivelse af maskinen.....	31
Tekniske Data	31
Sikkerhedsinstruktioner	31
Helbred og Sikkerhed.....	32
Kontrol inden start	32
Driftsvejledninger	32
Miljø	32
Opbevaring	33
Vedligeholdelse	33
Garanti.....	33
Overensstemmelseserklæring.....	2



1. Gearskifter
2. Udløser
3. Udløserlås
4. Ventilationsåbninger
5. Aksel med M14 indvendigt gevind
6. Blandeskovl
7. Variabel hastighedskontrol
8. Børsteholder

Tekniske Data

Model	1200E	1600E
Maskinens totale vægt (kg)	7.0	7.8
Maskinens vægt – eksklusiv blandeskovl (kg)	5.5	6.2
Maskinens højde * (mm)	865	865
Effekt (W)	1200	1600
Værktøjsstørrelse	M14 x 2	M14 x 2
Maksimum diameter på blandeskovlen (mm)	120	160
Støjniveau (dB(A))	102	98
Blandingsvolumen (Ltrs)	113	227
Passer til følgende materialer	Gips Cement / Mørtel Fliseklæbe Puds	Gips Cement / Mørtel Fliseklæbe Puds

Sikkerhedsinstruktioner

For både at sikre din personlige sikkerhed og for at beskytte de personer som befinder sig i nærheden af dig, er det vigtigt at du læser og fuldt ud forstår følgende sikkerhedsinstruktioner. Der er operatørens ansvar at sikre at han/hun fuldt ud forstår hvorledes udstyret skal anvendes sikkert. Konsulter med din overordnede eller Altrad Belle hvis du er usikker på hvordan Promix skal anvendes sikkert og korrekt.



FORSIGTIG

Fejlagtig vedligeholdelse kan medføre fare. Læs og forstå dette afsnit inden du udfører nogen form for vedligeholdelse, servicering eller reparationer.

- Afspær arbejdsområdet, og hold uvedkommende og uautoriserede personer på sikker afstand.
- Operatøren skal bære personlige værnemidler (PVM) når maskinen anvendes (se afsnittet Helbred og Sikkerhed).
- **INDEN DU TÆNDER** maskinen skal du sikre dig, at du ved hvordan maskinen sikkert **SLÅS FRA**, hvis du kommer i vanskeligheder.
- Slå altid maskinen **FRA** inden den transporteres fra sted til sted flyttes rundt på arbejdspladsen eller serviceres.
- Fjern eller modificer aldrig de indbyggede sikkerhedsanordninger. De er der for din sikkerheds skyld. Kontroller altid sikkerhedsanordningerne tilstand og sikkerhed. Hvis nogen af sikkerhedsanordningerne er beskadiget eller er mangelfulde må **PROMIX IKKE TAGES I ANVENDELSE** før disse fejl enten er repareret eller udskiftet.
- Anvend ikke maskinen hvis du er syg, føler dig træt eller er under indflydelse af alkohol eller medicin.
- Vær sikker på at blandingsbeholderen er placeret på flad og stabil overflade.
- Put aldrig kropsdeler eller andre artikler ned i blandingsbeholderen medens blandingsprocessen pågår.



Helbred og Sikkerhed

Vibration.

Under blandingprocessen vil der blive transmitteret nogle vibrationer gennem håndtaget til operatørens hænder.

PVM (Personlige værnemidler).

I forbindelse med anvendelse af udstyret skal der bæres passende PVM, såsom sikkerhedsbriller, handsker, høreværn, støvmaske og sikkerhedssko med tåhætte af stål. Vær klædt passende på i forhold til det arbejde du skal udføre. Bind langt hår op og fjern eventuelle smykker som. vil kunne blive fanget af udstyrets bevægelige dele.

Elektriske Maskiner.

Elektricitet kan være livsfarlig! Inden der foretages reparationer eller vedligeholdelsesarbejder skal det altid sikres, at maskinen ikke er tilsluttet til strømforsyningen. Anvend aldrig maskinen under våde forhold.



Kontrol inden Start

Inspektion inden opstart.

Følgende inspektion skal foretages inden opstarten enten før hver arbejds-session eller efter fire timers brug, afhængig hvilken af de to forhold der først bliver relevant. Se venligst serviceafsnittet for detaljeret vejledning. Hvis der registreres en fejl, må Promix ikke anvendes før denne er udbedret.

1. Undersøg Promix grundigt for tegn på skader. Kontroller at der ikke mangler noget og at alle dele er forsvarligt sikret. Læg særlig mærke til blandingsskoven, og kontroller at den er korrekt forbundet til håndtaget.
2. Kontroller strømkablet for tegn på at blottede ledningstråde. Reparer evt. blottede områder inden maskinen sættes i drift.



Instruções de Operação



ADVARSEL

*Før du betjener denne maskine eller udfører vedligehold på den **SKAL DU LÆSE** og **FORSTÅ** denne håndbog.*

Betjen altid denne maskine med begge hænder på håndtaget.

Tryk på udløseren (2) og hold den nede for at starte blandingprocessen.

Tryk udløserlåsen (3) ned når udløseren (2) er i 'ON'-position. Dette vil sikre at udløseren forbliver i 'ON'-position uden at du skal bruge dine hænder.

Frakobl udløseren (2) for at stoppe maskinen.

Maskiner der har 2-hastighedsgearkasse har to forskellige hastighedsmuligheder. I første gear er hastigheden langsom, mens den i andet gear er hurtig. Drej gearskifteren (1) 180° for at skifte fra det ene gear til det andet. Der er også mulighed for variabel hastighedskontrol (7), hvilket giver dig mulighed for at variere hastigheden på maskinen uanset hvilket af de to gear der anvendes.

Reducer altid hastigheden når blandingsskoven sættes ned i eller tages op fra det materiale der skal blandes. Når blandingsskoven (6) er fuldstændig fri af det blandede materiale skal hastigheden igen forøges for at sikre at motoren bliver tilstrækkeligt afkølet.

Flyt langsomt maskinen rundt om blanding beholderen under blandingprocessen. Dette skal fortsætte indtil al materialet er blevet blandet.

Når blandingprocessen er afsluttet, skal blandingsskoven (6) rengøres for at forhindre at der oparbejdes skidt og rester

Bemærk: De i parentes anførte numre henviser til numrene på billederne i brochurens afsnit "Beskrivelse af maskinen."



Miljø



Sikker bortskaffelse

Vejledning i forbindelse med beskyttelse af miljøet.

Maskinen indeholder værdifulde materialer. Aflever det kasserede apparat samt tilbehør på en relevant genbrugsstation.



Opbevaring



Maskinen skal opbevares på et tørt sted, og må ikke udsættes for ekstreme temperaturer.

Vedligeholdelse



Bemærk: Det skal sikres, at alle vedligeholdelsesprocedurer udføres af en kvalificeret elektriker.

Promix fra Altrad Belle er designet til at kunne fungere problemfrit i mange år. Det er imidlertid vigtigt at den simple regelmæssige vedligeholdelse bliver udført som beskrevet i dette afsnit. Det anbefales at lade en godkendt Altrad Belle forhandler udføre alle større reparations- og vedligeholdelsesarbejder. Anvend altid originale reservedele, da brug af uoriginale dele kan medføre at garantien ikke længere vil være gældende. Stikket skal være trukket ud inden der udføres vedligeholdelsesarbejder på maskinen.

Rutinemæssig Vedligeholdelse		Cirka. 100 Timer	Cirka. 200 Timer
Motorbørster	Kontrol	✓	
	Udskift når der er nødvendigt		
Gearsmerfedt	Kontrol / Udskift		✓

Maskinen er udstyret med selvdeaktiverende motorbørster af kul. Dette betyder, at maskinen automatisk vil slå fra når motorbørsterne er slidt ned til et bestemt niveau. For procedurer i forbindelse med udskiftning, se nedenstående instruktioner.

Udskiftning af motorbørsterne.

1. Anvend en fladhoved skruetrækker til at skrue de to børsteholdere (8) løse, som er placeret på hver side af motorkassen.
2. Fjern de nedslidte børster, og udskift dem med nye.
3. Stram igen begge børsteholdere (8), således at børsterne sidder forsvarligt fast.

Hold også ventilationssprækkerne (4) rene for skidt og snavs, således at maskinen kan blive tilstrækkeligt nedkølet.

Die vorliegende Anleitung soll Ihnen beim sicheren Betrieb und Service des Promix helfen.
Sie ist für Händler und Bediener des Promix bestimmt.

Vorwort

Das Kapitel **‘Beschreibung der Maschine’** hilft Ihnen dabei, sich mit der Anordnung und den Bedienungselementen der Maschine vertraut zu machen.

Die Kapitel **‘Sicherheitshinweise’** und **‘Arbeitsschutz’** erklären, wie die Maschine zu gebrauchen ist, wenn Ihre Sicherheit und die der allgemeinen Öffentlichkeit gewährleistet werden soll.

Das Kapitel **‘Bedienungsanleitung’** erklärt den richtigen Gebrauch der Maschine.

Das Kapitel **‘Wartung’** hilft bei der allgemeinen Wartung und beim Service der Maschine.

Das Kapitel **‘Garantie’** beschreibt die Garantiedeckung und das Anspruchsverfahren.

Das Kapitel **‘Konformitätserklärung’** führt die Normen auf, die beim Bau der Maschine zur Anwendung kamen.

Richtlinien zur Darstellungsweise

Besonders z beachtender Text in der vorliegenden Anleitung wird auf folgende Art und Weise herausgestellt:



WARNEN

Beschädigungs- bzw. Verletzungsgefahr. Bei Nichteinhaltung der vorgeschriebenen Arbeitsweise besteht die Gefahr von Maschinenschäden bzw. Personenverletzungen.



WARNUNG

Lebensgefahr für den Bediener.



WARNUNG

Vor Benutzung der Maschine bzw. vor der Ausführung von Instandhaltungsarbeiten MÜSSEN SIE SICH MIT DEM INHALT DIESER ANLEITUNG VERTRAUT MACHEN !

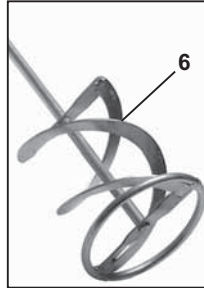
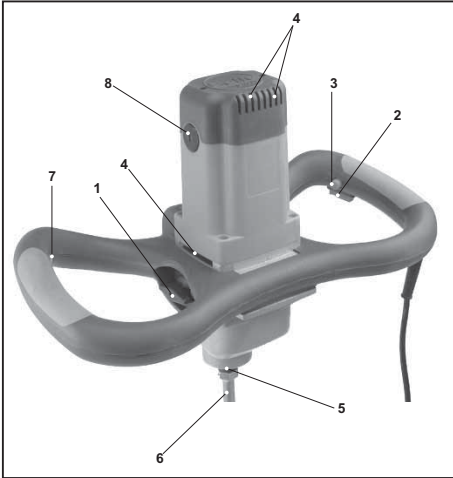
SIE MÜSSEN MIT DER SICHEREN BETRIEBUNG DER MASCHINE VERTRAUT SEIN und wissen, welche Instandhaltungsarbeiten für Ihre ständige Sicherheit erforderlich sind. (N.B. Informieren Sie sich vor dem Einschalten der Maschine, wie Sie wieder abstellen können, damit Sie Probleme vermeiden).

BEI FRAGEN über die sichere Benutzung oder Instandhaltung dieses Geräts: FRAGEN SIE IHREN VORGESETZTEN, ODER WENDEN SIE SICH Altrad Belle : **+44 (0)1298 84606**

Benutzung der Anleitung	34
Warnung	34
Beschreibung der Maschine	35
Technische Daten	35
Sicherheitshinweise	35
Arbeitsschutz	36
Kontrollen vor der Inbetriebstellung	36
Bedienungsanleitung	36
Umwelt	36
Lagerung	37
Wartung	37
Garantie	37
Konformitätserklärung	3

Beschreibung der Maschine

D



1. Gangschalter
2. Trigger
3. Triggersperre
4. Luftschlitze
5. Welle mit Innengewinde M14
6. Mischpaddel
7. Einstellskala
8. Bürstenhalter

Technische Daten

D

Modell	1200E	1600E
Gesamtgewicht der Maschine (kg)	7.0	7.8
Maschinengewicht ohne Paddel (kg)	5.5	6.2
Höhe der Maschine * (mm)	865	865
Leistung (W)	1200	1600
Werkzeuggröße	M14 x 2	M14 x 2
Max. Durchmesser des Paddels (mm)	120	160
Geräuschpegel (dB(A))	102	98
Mischvolumen (Ltrs)	113	227
Geeignetes Mischgut	Putz Zement/Mörtel Fliesenkleber Unterputz	Putz Zement/Mörtel Fliesenkleber Unterputz

Sicherheitshinweise

D

Zum eigenen Schutz und im Interesse der Sicherheit der Umstehenden bitten wir Sie, die nachfolgenden Sicherheitsangaben zu lesen und gut zur Kenntnis zu nehmen. Der Bediener ist dafür verantwortlich, dass er den sicheren Betrieb dieses Geräts gut versteht. Wenn Sie sich über die sichere und richtige Arbeit mit dem Promix nicht im Klaren sind, setzen Sie sich mit Ihrem Vorgesetzten oder der Altrad Belle in Verbindung.



WARNEN

Unschlagmäßige Wartung kann gefährlich sein. Vor Wartung, Service oder Reparaturen ist dieses Kapitel zu lesen und zur Kenntnis zu nehmen.

- Sperren Sie die Arbeitsstelle ab und halten Sie die Öffentlichkeit und Unbefugte fern.
- Bei der Arbeit mit diesem Gerät muss der Bediener einen Körperschutz tragen (siehe Arbeitsschutz)
- Stellen Sie vor dem **EIN**schalten sicher, dass Sie wissen, wie die Maschine im Schwierigkeitsfall **AUS**geschaltet werden kann.
- Schalten Sie die Maschine vor dem Transport, der Verlagerung auf der Baustelle und dem Service immer **AUS**.
- Schutzabdeckungen dürfen niemals entfernt oder verschoben werden – sie dienen zum Schutz des Bediener. Kontrollieren Sie immer ihren Zustand und Sitz. Wenn Abdeckungen beschädigt sind oder fehlen, darf **ERST** nach ihrer Erneuerung bzw. Reparatur **MIT DEM PROMIX GEARBEITET WERDEN**.
- Arbeiten Sie nicht mit der Maschine, wenn Sie müde sind oder unter dem Einfluss von Alkohol oder Drogen stehen.
- Sorgen Sie dafür, dass der Mischbehälter auf eine feste, ebene Fläche gestellt wird.
- Führen Sie beim Mischen keine Körperteile oder sonstigen Gegenstände in den Mischbehälter ein.

Schwingung

Gewisse Schwingungen werden während des Mischvorgangs durch den Griff auf die Hände des Bedieners übertragen.

Körperschutz

Beim Gebrauch dieses Geräts ist geeigneter Körperschutz erforderlich, d.h. Schutzbrille, Handschuhe, Gehörschutz und Schuhe mit Zehenteil aus Stahl. Tragen Sie der zu verrichtenden Arbeit entsprechende Bekleidung. Bändigen Sie langes Jahr und entfernen Sie Schmuckstücke, die sich in den bewegten Teilen des Geräts verfangen könnten.

Elektromaschinen

Elektrizität kann lebensgefährlich sein. Stellen Sie vor der Wartung/Reparatur sicher, dass die Maschine vom Stromnetz getrennt ist. Arbeiten Sie niemals in nassen Verhältnissen mit der Maschine.

Kontrollen vor der Inbetriebstellung**Untersuchung vor der Inbetriebstellung**

Die folgende Untersuchung vor der Inbetriebstellung ist vor jeder Arbeitsperiode bzw. nach spätestens vier Arbeitsstunden auszuführen. Ausführliche Richtlinien sind im Kapitel Wartung zu finden. Wenn ein Fehler gefunden wird, darf erst nach seiner Behebung mit dem Promix gearbeitet werden.

1. Promix gründlich auf Anzeichen von Schäden untersuchen. Sicherstellen, dass alle Bauteile vorhanden und gut befestigt sind. Mischpaddel besonders beachten und sicherstellen, dass es richtig am Griff befestigt ist.
2. Stromkabel auf freiliegende Drähte untersuchen. Freiliegende Bereich vor der Arbeit abdecken.

Bedienungsanleitung**WARNUNG**

Vor Benutzung der Maschine bzw. vor der Ausführung von Instandhaltungsarbeiten MÜSSEN SIE SICH MIT DEM INHALT DIESER ANLEITUNG VERTRAUT MACHEN !

Den Griff bei der Arbeit mit der Maschine immer mit beiden Händen halten.

Trigger (2) zur Einleitung des Mischvorgangs drücken und halten.

In Stellung EIN des Triggers (2) den Triggersperrknopf (3) drücken. Jetzt bleibt der Trigger (2) ohne Gebrauch der Hand in Stellung EIN.

Zum Abstellen der Maschine Trigger (2) drücken und loslassen.

Bei Maschinen mit 2-Ganggetriebe stehen 2 Geschwindigkeiten zur Wahl. Der erste Gang ist langsam, der zweite schnell. Zum Umschalten wird der Gangschalter (1) um 180° gedreht. Mit der Einstellskala (7) kann die Geschwindigkeit der Maschine in beiden Gängen geändert werden.

Beim Einführen des Paddels in das Mischgut und auch beim Herausnehmen die Geschwindigkeit immer reduzieren. Wenn das Mischpaddel (6) ganz vom Mischgut abgehoben ist, die Geschwindigkeit zur ausreichenden Kühlung des Motors wieder erhöhen.

Maschine beim Mischen langsam rund um den Mischbehälter führen. Das muss getan werden, bis das ganze Mischgut gemischt ist.

Nach Beendigung des Mischvorgangs das Mischpaddel (6) reinigen, damit sich kein Schmutz und keine Rückstände ansammeln.

Anmerkung: Die Nummern in Klammern beziehen sich auf die Abbildung im Kapitel Beschreibung der Maschine.

Umwelt**Sichere Entsorgung**

Anweisungen zum Umweltschutz

Die Maschine enthält wertvolle Werkstoffe. Nicht mehr gebrauchte Geräte und Zubehörteile sind zur betreffenden Recyclinganlage zu schaffen.



Lagerung

D

Die Maschine ist an einer trockenen Stelle zu lagern, wo sie keinen extremen Temperaturen ausgesetzt ist.

Wartung

D

Anmerkung: Überlassen Sie alle Wartungsarbeiten bitte einem gelernten Elektriker.

Der Promix der Altrad Belle ist für langjährigen störungsfreien Betrieb ausgelegt. Die in diesem Kapitel aufgeführten einfachen, regelmäßigen Wartungsarbeiten sind jedoch wichtig. Wir raten Ihnen, größere Wartungsarbeiten und Reparaturen einem Vertragshändler der Altrad Belle zu überlassen. Es dürfen nur echte Altrad Belle Ersatzteile montiert werden, denn falsche Teile können die Garantie hinfällig machen. Stellen Sie vor der Wartungsarbeit sicher, dass die Maschine vom Stromnetz getrennt ist.

Planmäßige Wartung		Ca. alle 100 Stunden	Ca. alle 200 Stunden
Motorbürsten	Kontrolle	✓	
	Wechsel falls erforderlich		
Getriebefett	Kontrolle / Wechsel		✓

Die Maschine ist mit selbst abschaltenden Kohlebürsten ausgestattet. Die Maschine schaltet also automatisch ab, wenn die Bürsten auf eine gewisse Höhe abgetragen sind. Anweisungen zur Erneuerung sind unten zu finden.

Erneuern der Kohlebürsten des Motors

1. Die beiden Bürstenhalter (8) auf den Seiten des Motorgehäuses mit einem Schlitzschraubendreher losschrauben.
2. Abgetragene Bürsten entfernen und durch neue ersetzen.
3. Bürstenhalter (8) wieder anziehen und sicherstellen, dass die Bürsten fest sitzen.

Auch die Luftschlitze (4) von Schmutz und Rückständen frei halten, damit die Maschine ausreichend gekühlt wird.



Como Usare Il Manuale

Il manuale è stato fatto per facilitare l'uso sicuro e effettuare la manutenzione corretta della Promix.
Il manuale è previsto per rivenditori e operatori della Promix.

Introduzione

La sezione '**Descrizione dell'impianto**' permette di conoscere la costruzione e il comando dell'impianto.

Le sezioni '**Sicurezza generale**' e '**Salute e Sicurezza**' danno istruzioni per l'uso dell'impianto in modo di garantire sicurezza propria e quella d' altri.

La Sezione '**Istruzioni d'uso**' spiega come usare la macchina in modo corretto.

La Sezione '**Manutenzione**' serve per la manutenzione e servizio corretto della macchina.

La sezione '**Garanzia**' Dettagli i casi di garanzia e la procedura di reclamo.

La sezione '**Dichiarazione di Conformità**' Dimostra i livelli alla quale la macchina è stata costruita.

Il modo di leggere il manuale

Indicazioni che sono particolarmente importanti sono presentate in modo seguente :



ATTENZIONE

il prodotto può presentare un rischio. La mancata osservanza delle corrette procedure può arrecare danni alla macchina o causare infortuni all'utente.



AVVERTENZA

La vita dell'operatore può essere a rischio.



Avvertenza



AVVERTENZA

*Prima di azionare questa macchina od eseguire su di essa qualsiasi intervento di manutenzione **BISOGNA LEGGERE e STUDIARE** il presente manuale.*

SAPERE come usare in maniera sicura i comandi della macchina e come eseguire la manutenzione in maniera sicura.

(N.B. Assicurarsi di sapere come spegnere la macchina prima di accenderla, nel caso che ci si dovesse trovare in difficoltà).

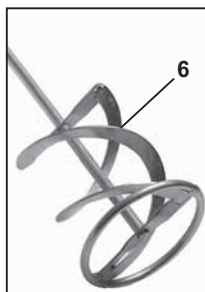
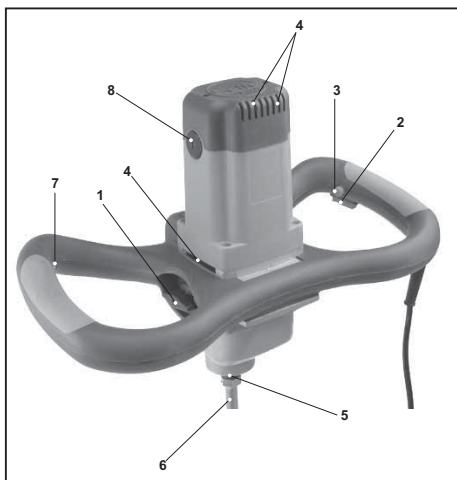
Indossare od usare **SEMPRE** il corretto equipaggiamento di sicurezza per la protezione personale. Per **QUALSIASI DOMANDA** sull'uso o la manutenzione in sicurezza di questa macchina, RIVOLGERSI AL PROPRIO SUPERVISORE OPPURE ALLA Altrad Belle: **+44 (0)1298 84606**



Índice

Come usare questo manuale	38
Avvertimento.....	38
Descrizione dell'impianto.....	39
Dati tecnici.....	39
Sicurezza in generale.....	39
Salute e sicurezza	40
Verifiche prima di mettere in moto	40
Istruzioni D'uso.....	40
Ambiente	40
Stoccaggio	41
Manutenzione.....	41
Garanzia.....	41
Dichiarazione di conformità	3

Descrizione Dell'Impianto



1. Interruttore cambio marcia
2. Grilletto
3. Blocca Grilletto
4. Aperture per ventilazione
5. Albero con filettatura femminile M14
6. Paletta di mescolazione
7. Comparatore velocità
8. Porta Spazzole

Dati Tecnici



Modello	1200E	1600E
Totale peso macchina (kg)	7.0	7.8
Peso macchina escluso palette (kg)	5.5	6.2
Altezza macchina * (mm)	865	865
Potenza (W)	1200	1600
Misura Dell' attrezzo	M14 x 2	M14 x 2
Diametro Massimo della paletta (mm)	120	160
Livello di Rumore (dB(A))	102	98
Volume di mescolazione (Ltrs)	113	227
Materiali	Cartongesso Cemento / Malta Collante per mattonelle	Cartongesso Cemento / Malta Collante per mattonelle

Istruzioni Di Sicurezza



Per la propria sicurezza e per quella degli altri, leggere e assicurarsi che capisce bene tutte le seguenti indicazioni. L'operatore è responsabile di garantire che LUI o LEI è a conoscenza del funzionamento dell'impianto e condizioni di sicurezza. Se non è sicuro dell'uso della Promix, deve rivolgersi al suo supervisore o alla Altrad Belle.



ATTENZIONE

Manutenzione insufficiente può portare rischi. Leggere e capire bene questa sezione prima di effettuare la manutenzione, controllo, riparazione.

- Isolare la zona di lavoro e mantenere a distanza di sicurezza il pubblico e persone non autorizzate.
- Attrezzatura di Protezione Personale (APP) deve essere indossata dall' operatore quando la macchina è messa in uso.
- Assicurarsi di sapere come **SPEGNERE** la macchina prima di **ACCENDERLA** nel caso dovessero presentarsi delle difficoltà durante l'uso.
- Spegnerne sempre la macchina prima di trasportarla, spostarla o fare il servizio.
- Non rimuovere o manomettere mai le reti di protezione. Sono lì per la vostra protezione. Controllale sempre per la proprio sicurezza. Se sono daneggiate o non ci sono proprio, **NON USARE LA PROMIX** affinché non siano state riparate o cambiate.
- Non mettere in moto la macchina se si è malati, stanchi o sotto influenza d' alcool o droghe.
- Assicurarsi che il contenitore di mescolazione sia posizionato su una superficie piatta e ferma.
- Non introdurre parti del corpo o altri oggetti nel contenitore durante la procedura di mescolazione.



La Salute E La Sicurezza

Vibrazioni

Vibrazioni provocati dall'impianto sono trasmesse via il manico alle mani dell'operatore.

APP (Attrezzatura Personale di Protezione)

Protezione adatta deve essere usata quando si usa questa macchina. Occhiali, Guanti, Protezione per orecchie e piedi.

Macchine Elettriche

La corrente elettrica può uccidere ! Assicurarsi sempre che la macchina non è collegata alla corrente prima di ripararla o effettuare procedure di manutenzione. Non usare mai la macchina in condizioni d'umidità o di pioggia.



Controlli Pre-Avvio

Controlli Pre-Avvio

Ispezione prima di mettere in moto deve essere fatta prima si cominciano ogni sessione di lavoro o dopo ogni 4 ore d'uso, dipende da quello che arriva prima. Consulta la sezione di controllo per ottenere istruzioni particolari. In caso di difetto, l'impianto non deve essere usato prima che essa venga riparata.

1. Verifica tutto il Promix per trovare ogni segno di guasto. Assicurarsi che tutte le componenti sono presenti e sicuri. Prestare attenzione particolare alla paletta di mescolazione e assicurarsi che sia collegata correttamente al manico.
2. Controllare i fili elettrici per fili esposti. Riparare qualsiasi guasto prima di operare la macchina.



Istruzione D'Uso



AVVERTENZA

Prima di azionare questa macchina od eseguire su di essa qualsiasi intervento di manutenzione BISOGNA LEGGERE e STUDIARE il presente manuale.

Operate sempre la macchina con 2 mani sul manico.

Premere e tenere premuto il grilletto (2) per iniziare le procedure di mescolazione.

Una volta premuto il grilletto (2) spingere il bottone blocca grilletto (3). Questo bloccherà il grilletto (2) in posizione d'avvio senza dovere tenere premuto.

Per fermare la macchina spingere e lasciare il grilletto (2).

Macchine con cambio a 2 tempi hanno 2 velocità a disposizione. La prima marcia è la velocità 'lenta' e la seconda marcia è la velocità 'rapida'. Per cambiare da una marcia all'altra girare l'interruttore di marcia (1) di 180°. C'è anche un comparatore di velocità (7) che vi permette di variare la velocità della macchina quando usate entrambe le marce.

Ridurre sempre la velocità quando inserite la paletta di mescolazione nel materiale da mescolare e lo stesso quando lo togliete.

Una volta che la paletta (6) è completamente fuori dal materiale nel contenitore, aumentare la velocità per assicurarsi che il motore è sufficientemente fredda.

Durante la procedura di mescolazione girare lentamente la macchina intorno al contenitore. Continuare affinché tutto il materiale sia mescolato.

Una volta finita la mescolazione, pulire la paletta (6) per rimuovere terra e residuo.

Nota: I numeri nelle parentesi si riferiscono ai disegni nella sezione della descrizione della macchina.



Ambiente



Smaltimento Sicuro.

Istruzioni per la protezione dell'ambiente.

L'impianto contiene materie di valore. Depositarle al servizio di riciclaggio adatto per l'impianto e gli accessori.



Stoccaggio



La macchina dovrebbe essere conservata in un posto asciutto e non deve essere esposta a temperature estreme.

Manutenzione



Nota: Assicurarsi che un elettricista qualificato si occupi della manutenzione delle procedure elettriche.

La Promix Altrad Belle è progettata per dare molti anni d'uso senza problemi. È comunque importante che le semplici procedure di manutenzione dettagliate in questa sezione siano eseguite. È raccomandato che a fare tutte le riparazioni e procedure di manutenzione sia una concessionaria approvata da Altrad Belle. Usare sempre ricambi genuine Altrad Belle. L'uso di ricambi non genuine potrebbe annullare la garanzia. Prima di eseguire procedure di manutenzione sulla macchina assicurarsi che sia staccata la corrente elettrica.

Manutenzione di Routine		Circa. 100 Ore	Circa. 200 Ore
Spazzole del Motore	Controllare	✓	
	Cambiare quando necessario		
Grasso del Cambio	Controllare / Ricambia		✓

La macchina ha delle spazzole auto- disattivanti in carbonio. Questo significa che la macchina si spegnerà automaticamente quanto le spazzole saranno consumate dopo un certo livello. Consultare l'istruzioni che seguono per cambiarle.

Cambiare le spazzole in carbonio.

1. Usando una giravite con estremità piatta svitare le due porta spazzole (8) che si trovano su ambi i lati della copertura del motore.
2. Togliere le spazzole consumate e mettere quelle nuove.
3. Stringere entrambi i porta spazzole (8) assicurandosi che le spazzole siano posizionate bene.

Inoltre, mantenere l'apertura di ventilazione (4) libero di terra e residuo in modo che il motore si possa raffreddare adeguatamente.

Denna bruksanvisning är till för att hjälpa Dig att använda och underhålla Din Promix på ett säkert sätt. Bruksanvisningen är avsedd för återförsäljare och operatörer av Promix.

Inledning

Avsnittet "**Beskrivning av maskinen**" hjälper Dig att sätta Dig in i maskinens utrustning och reglage.

Avsnittet "**Säkerhetsanvisningar**" och "**Hälsa och Säkerhet**" beskriver hur man använder maskinen så att Din och allmänhetens säkerhet garanteras.

Avsnittet "**Användarinstruktioner**" beskriver hur man använder maskinen på ett korrekt vis.

Avsnittet "**Service**" finns för att hjälpa Dig med det vanliga underhållet och servicen av Din maskin.

Avsnittet "**Garanti**" beskriver garantins omfattning och reklamationsförfarandet.

Avsnittet "**Försäkran om överensstämmelse**" visar vilka standarder maskinen konstruerats efter.

Direktiv med avseende på beteckningar.

Den text i denna bruksanvisning som särskilt måste uppmärksammas visas på följande sätt.



SE UPP

Produkten kan utgöra en risk. Maskinen eller Du själv kan skadas om handhavandet inte utförs på korrekt vis.



VARNING

Operatören kan utsättas för livsfara.

VARNING!



VARNING

Innan Du använder eller utför något underhåll på denna maskin **MÅSTE DU LÄSA** och **FÖRSTÅ** denna bruksanvisning.

VETA hur enhetens reglage används på ett säkert sätt och hur man utför underhåll på ett säkert sätt. (NB Var säker på att Du vet hur man stänger av maskinen innan Du sätter på den, utfall Du hamnar i svårigheter.)

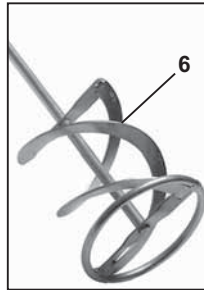
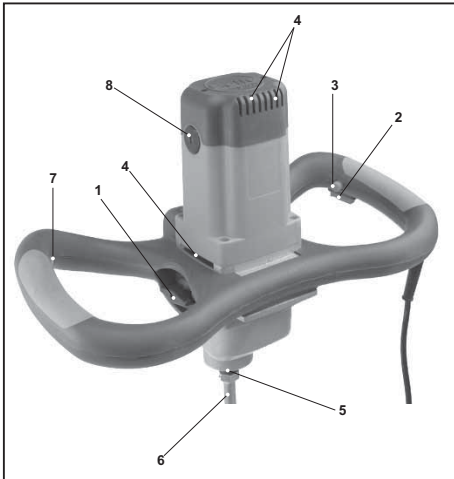
Använd **ALLTID** lämplig skyddsutrustning som krävs för Din personliga säkerhet. Om Du har **NÅGRA FRÅGOR** om säker användning eller underhåll av denna enhet, FRÅGA DIN ARBETSLEDARE ELLER KONTAKTA Altrad Belle.

Innehåll

Hur man använder denna bruksanvisning.....	42
Varning	42
Maskinbeskrivning	43
Tekniska data.....	43
Säkerhetsinstruktioner.....	43
Hälsa och säkerhet.....	44
Kontroller innan start	44
Driftinstruktioner	44
Miljö	44
Förvaring	45
Underhåll	45
Garanti.....	45
Försäkran om överensstämmelse	3

Maskinbeskrivning

S



1. Växelspak
2. Avtryckare
3. Avtryckarfås
4. Ventileringspringa
5. Axel med M14 inngång
6. Blandarskovel
7. Varvtalsväljare
8. Borsthållare

Dados Técnicos

S

Modell	1200E	1600E
Maskinens totalvikt (kg)	7.0	7.8
Maskinvikt utan skovel (kg)	5.5	6.2
Maskinhöjd * (mm)	865	865
Effekt (W)	1200	1600
Verktysstorlek	M14 x 2	M14 x 2
Blandarskovels max.diameter (mm)	120	160
Ljudnivå (dB(A))	102	98
Blandarvolym (Ltrs)	113	227
Lämpliga material	Putsbruk Cement / Murbruk Kakellim Underlagsputs	Putsbruk Cement / Murbruk Kakellim Underlagsputs

Säkerhetsinstruktioner

S

För Din egen personliga säkerhets skull och för säkerheten för personerna i Din omgivning, vänligen läs och säkerställ att Du till fullo förstår följande säkerhetsinformation. Det är operatörens ansvar att han/hon till fullo förstår hur utrustningen används på ett säkert sätt. Om Du är osäker gällande säkerheten och korrekt användning av Promix, konsultera Din arbetsledare eller Altrad Belle.



SE UPP

Felaktigt underhåll kan vara riskfyllt. Läs och förstå detta avsnitt innan Du utför något underhåll, service eller reparationer.

- Spärra av arbetsområdet och håll allmänheten och obehörig personal på ett säkert avstånd.
- Personlig SkyddsUtrustning (PSU) måste alltid bäras av operatören när utrustningen används (se Hälsa och Säkerhet).
- Var säker på att Du vet hur man stänger **AV** maskinen innan Du sätter **PÅ** den, utifall Du hamnar i svårigheter.
- Stäng alltid **AV** maskinen innan transport, förflyttning inom arbetsplatsen eller vid underhåll.
- Avlägsna eller mixtra aldrig med några monterade skydd, de finns där för Din säkerhet.
Kontrollera alltid skydden för tillstånd och säkerhet, om något saknas eller är skadat, **ANVÄND ALDRIG PROMIXEN** innan skyddet har ersatts eller reparerats.
- Använd inte maskinen när Du är sjuk, trött, eller om Du är påverkad av alkohol eller droger.
- Försäkra Dig om att blandarbehållaren står på plant och säkert underlag.
- Stoppa inte kroppsdelar eller andra föremål i blandarbehållaren under blandningsprocessen.

Vibration.

En viss vibration från blandningsprocessen överförs genom handtaget till operatörens händer.

PSU (Personlig SkyddsUtrustning).

Lämplig PSU måste bäras när denna utrustning används dvs skyddsglasögon, handskar, hörselskydd och fotbekläd med stålhätta. Använd kläder som är lämpliga för det arbete Du utför. Bind upp långt hår och ta bort smycken vilka annars kan fastna i maskinens rörliga delar.

Elektriska maskiner.

Elektricitet är livsfarligt! Var alltid säker på att maskinen är frånkopplad strömförsörjningen innan något underhållsarbete utförs på maskinen. Använd aldrig maskinen under fuktiga förhållanden.

Besiktning innan start.

Följande besiktning innan start måste utföras varje gång innan arbetet påbörjas eller efter var fjärde timmes användning, vilket som inträffar först. Vänligen se avsnittet för underhåll för närmare instruktioner. Om några felaktigheter upptäcks, får inte Promixen användas innan felet har åtgärdats.

1. Besiktiga Promixen noggrant för tecken på skador. Kontrollera att alla delar finns och är säkra. Var speciellt uppmärksam på blandarskoveln och försäkra Dig om att den har fäst ordentligt till handtaget.
2. Kontrollera elkablar för tecken på skador. Åtgärda eventuella skador innan användning.

**VARNING**

*Innan Du använder eller utför något underhåll på denna maskin **MÅSTE DU LÄSA** och **FÖRSTÅ** denna bruksanvisning.*

Använd alltid maskinen med båda händerna på handtaget.

Tryck på avtryckaren (2) och håll den nedtryckt för att börja blandningsprocessen.

När avtryckaren (2) är i "PÅ" läget, tryck på knappen för avtryckarlåsning (3). Det håller avtryckaren (2) i "PÅ" läget utan att Du behöver använda Dina händer.

För att stanna maskinen, tryck på avtryckaren (2) och släpp den.

Maskinen med 2-hastighets växellåda har 2 olika hastigheter. Första växeln är lågväxel och andra växeln är snabbväxel. För att växla från en växel till annan, vrid växelspaken (1) 180°. Maskinen har även en varvtalsväljare (7) som gör det möjligt för Dig att variera maskinens varvtal vid användning av en av maskinens 2 växlar.

Minska alltid varvtalet när Du placerar blandarskoveln i materialet som skall blandas, och även när Du lyfter upp den. När blandarskoveln (6) är helt ren från blandningsmaterialet, öka varvtalet igen för att försäkra Dig om att motorn har svalnat tillräckligt.

Under blandningsprocessen flytta runt maskinen långsamt i blandarbehållaren. Fortsätt med det tills allt blandningsmaterial har blandats ordentligt.

När Du är färdig med blandningsprocessen, rengör blandarskoveln (6) för att motverka samling av smuts och rester.

Obs: Siffrorna inom parentes hänvisar till bilderna i manualens avsnitt Maskinbeskrivning.

**Säkert bortskaffande.**

Instruktioner för miljöskydd.

Maskinen innehåller värdefulla material. Ta den kasserade apparaten och tillbehören till relevant återvinningsanläggning.



Förvaring

S

Maskinen bör förvaras i torrt utrymme som inte utsätts för extrema temperaturer.

Underhåll

S

Obs: Vänligen se till att alla underhållsarbeten utförs av en behörig elektriker.

Altrad Belle Promix är konstruerad för att erbjuda många års problemfri funktion. Dock är det viktigt att det enkla regelbundna underhållet som finns listat i detta avsnitt utförs. Vi rekommenderar att en av Altrad Belle godkänd återförsäljare utför alla större underhålls- och reparationsarbeten. Använd alltid originala Altrad Belle utbytesdelar, användning av "piratdelar" kan komma att upphäva Din garanti. Innan något underhåll utförs på maskinen, säkerställ att den är urkopplad.

Rutinmässigt Underhåll		Ca. 100 Timmar	Ca. 200 Timmar
Motorborstar	Kontrollera	✓	
	Byt vid behov		
Växellädans Smörjmedel	Kontrollera / Byt		✓

Maskinens motor är försedd med självdeaktiverande kolborstar. Det innebär att maskinen stängs av automatiskt när motorborstarna har nått en viss slitagenivå. Se instruktionerna nedan hur man byter ut dem.

Byte av motorns kolborstar.

1. Med hjälp av en skruvmejsel skruva loss de två borsthållarna (8) som finns på var sin sida av motorhöljet.
2. Ta bort de slitna borstarna och ersätt med nya.
3. Återdra båda borsthållarna (8) och säkerställ att borstarna sitter fast ordentligt.

Håll även ventileringspringor (4) rena från smuts och rester så att maskinen får tillräcklig kylning.



Kuinka käytät tätä käyttöohjetta

Tämä käyttöohje on laadittu Promix sekoituskoneelle ja sen huoltoon silmälläpitäen. Ohje on tarkoitettu jälleenmyyjille ja heidän asiakkaille.

Esipuhe

“**Laitteen Kuvaus**” osa auttaa tutustumaan laitteen toimintaan ja sen hallintaan.

“**Turvallisuus**” ja “**Terveys ja turvallisuus**” osat kertovat kuinka käyttäjän ja ympäristön turvallisuus turvataa laitetta käytettäessä.

“**Käyttöohjeet**” osassa kerrotaan kuinka laitetta käytetään turvallisesti.

“**Ylläpito**” osa helpottaa yleisesti laitteen ylläpitoa ja koneesi huoltoa.

“**Takuu**” osa selvittää takuun kattavuuden ja takuuhakemus ohjeet.

“**Yhdenmukaisuus selvitys**” osassa ilmoitetaan standardit, joiden mukaan laite on rakennettu.

Huomioidut direktiivit.

Tässä käyttöohjeessa on käytetty seuraavia erityistä huomiota vaativia mallien mukaisia merkintöjä:



VAARA

Ohjeen noudattamatta jättäminen saattaa vioittaa laitetta.



VAROITUS

Käyttäjän turvallisuus on vaarassa



VAROITUS!



VAROITUS

*Ennen käyttöönottoa ja huoltotöiden aloittamista **LUKEKAA KÄYTTÖOHJE HUOLELLISESTI** ja **VARMISTAKAA, ETTÄ OLETTE YMMÄRTÄNYT OHJEET.***

OPETELKAA käyttämään ohjainlaitteita ja huoltamaan laitetta turvallisesti.

HUOMIO! Ennen kuin käynnistätte laitteen, varmistakaa, että osaatte pysäyttää laitteen mahdollisessa ongelmatilanteessa.

Turvallisuutenne kannalta on tärkeää, että käytätte **AINA** vaadittuja suojaimeja.

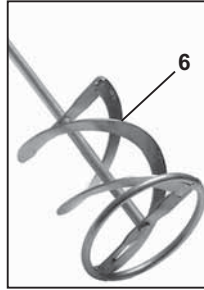
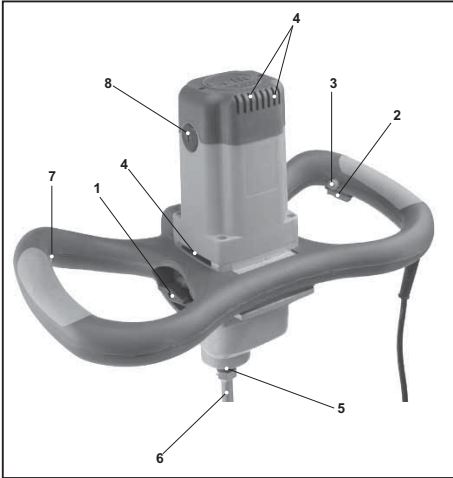
Jos teillä on laitteen turvallisesta käytöstä tai huollosta **KYSYTTÄVÄÄ, KÄÄNTYKÄÄ TYÖNJOHDON TAI** Altrad BelleIN

(ISO-BRITANNIA) EDUSTAJAN PUOLEEN: Puhelin +44 012 988 4606



Sisältö

Käyttöohjeen lukuohjeet.....	46
Varoitus.....	46
Laitteen kuvaus.....	47
Teknilliset tiedot.....	47
Turvallisuusohjeet.....	47
Terveys ja Turvallisuus.....	48
Tarkistukset ennen laitteen käynnistämistä.....	48
Käyttöohjeet.....	48
Ympäristö.....	48
Säilytys.....	49
Huolto.....	49
Takuu.....	49
Yhdenmukaisuusvakuutus.....	3



1. Vaihteen vaihtokatkaisin
2. Käyttökatkaisin
3. Käyttökatkaisimen lukitsin
4. Tuuletusaukot
5. Akseli, jossa on M14 sisäkierre
6. Sekoitusvispilä
7. Portaattoman pyörintänopeuden säädin
8. Hiilenpitimet

Teknilliset tiedot

Malli	1200E	1600E
Laitteen kokonaispaino (kg)	7.0	7.8
Laitteen paino-ilman vispilää (kg)	5.5	6.2
Laitteen korkeus * (mm)	865	865
Teho (W)	1200	1600
Kiinnitys	M14 x 2	M14 x 2
Vispilän suurin halkaisija (mm)	120	160
Melutaso (dB(A))	102	98
Sekoitustilavuus (l)	113	227
Soveltuvat Materiaalit	Rappauslaasti Sementti/ muurauslaasti Laattalaasti Tasoitteet	Rappauslaasti Sementti/ muurauslaasti Laattalaasti Tasoitteet

Turvallisuusohjeet

Oman ja lähellä oleskelevien henkilöiden turvallisuuden takia lue nämä ohjeet ja varmista, että ymmärrät ja noudatat oheisia turvallisuusohjeita. Käyttäjän velvollisuus on varmistaa, että hän ymmärtää kaiken kuinka tätä laitetta käytetään turvallisesti. Jos olet epävarma Promixin turvallisesta ja oikeasta käytöstä, niin kysy esimieheltäsi tai Altrad Belle lisätietoja.

**VAARA**

Asiaankuulumaton huolto tai käyttö saattavat aiheuttaa vaaran. Lue ja ymmärrä tämä osa ennenkuin suoritat mitään ylläpito-, huolto- tai korjaustoimenpidettä

- Merkitse työskentelyalue ja huolehdi, että yleisö ja asiaankuulumattomat henkilöt ovat turvallisen matkan päässä.
- Laitteen käyttäjän on pukeuduttava turvaliiveihin(HTV) aina, kun laitetta käytetään(ks. "Terveys ja Turvallisuus" osaa)
- Varmistu ennen laitteen käynnistämistä, että hätätilanteessa tiedät kuinka laite sammutetaan
- **SAMMUTA** laite aina ennen kuljettamista, ennen liikkutua työmaalla tai ennen sen huoltoa.
- Älä poista tai muuta suojalaitteita, ne suojaavat käyttäjää.
- Tarkista suojalaitteiden kunto säännöllisesti. Jos havaitset puuttuvan tai vahingoittuneen suojalaitteen, niin **ÄLÄ KÄYTÄ PROMIXIÄ** ennenkuin suoja on korjattu tai vaihdettu uuteen.
- Älä käytä laitetta, jos olet sairas, tunnet väsymystä tai jos olet alkoholin tai huumeiden vaikutuksen alainen.
- Varmista, että sekoitusastia on sijoitettu tasaiselle ja tukevalle alustalle.
- Älä lisää mitään sekoitusastiaan kun sekoitustyö on käynnissä.



Terveys ja Turvallisuus

Tärinä.

Sekoitustyön aikana laitteen kahvoista välittyy tärinää käyttäjän käsiin.

HTV(Henkilökohtaiset Turvavälineet)

Kun käytät laitetta, pue yllesi henkilökohtaiset turvavälineet, suojalasit, -käsineet, kuulosuojaimet ja teräskärkiset suojajalkineet. Käytä työn mukaista vaatetusta. Sido pitkät hiukset ja poista korut, jotka saattavat tarttua laitteen liikkuviin osiin.

Sähkölaitteet

Sähkö saattaa tappaa! Varmista aina ennen mitään huoltotyötä tai korjausta, että laite on kytketty irti virtalähteestä. Älä milloinkaan käytä laitetta kosteissa olosuhteissa.



Comprobación Inicial

Tarkistukset ennen laitteen käynnistämistä.

Oheiset tarkistukset tulee tehdä aina työjakson alussa tai joka neljännen työtunnin jälkeen, sen mukaan kumpi ajankohta on aikaisemmin. Tarkemmat ohjeet löydät huolto-ohjeista. Jos tarkistuksessa löytyy vikaa, niin Promix'a ei saa käyttää ennenkuin vika on korjattu.

1. Etsi joka puolelta Promix'a merkkejä vioista. Tarkista, että osat ovat paikoillaan ja kiinnitettynä. Kiinnitä erityistä huomiota sekoitusvispilään ja varmista, että se on oikein kiinnitetty kahvaan.
2. Tarkista ettei kaapeliin eristeet ole vaurioituneet. Korjaa kaikki vauriot ennen käyttöä.



Käyttöohjeet



VAROITUS

Ennen käyttöönottoa ja huoltotoiden aloittamista **LUKEKAA KÄYTTÖOHJE HUOLELLISESTI ja VARMISTAKAA, ETTÄ OLETTE YMMÄRTÄNYT OHJEET.**

Käyttäessäsi laitetta pidä aina molemmat kädet kädensijoissa.

Aloita sekoitustyö painamalla käynnistyskatkaisinta(2) ja pitämällä sitä pohjassa.

Kun katkaisin(2) on "ON" asennossa, niin paina katkaisimen lukitusnapulaa(3). Se pitää käynnistyskatkaisinta(2) pohjassa, ilman käsien apua.

Kun haluat pysäyttää laitteen, niin paina ja vapauta katkaisin(2).

Laitteissa, joissa on kaksi nopeuksinen vaihteisto on kaksi nopeutta käytössä. Ensimmäinen vaihde on hidas ja toinen vaihde on nopea. Kun haluat vaihtaa vaihdetta, niin kierrä vaihdekatkaisinta(1) 180°. Käytettävissä on myös portaaton pyörintänopeuden säätö(7) jolla saadaan portaaton säätö molemmilla vaihteilla.

Alenna nopeus kun laitat sekoitusvispilän sekoitettavaan materiaaliin ja myös kun poistat sen materiaalista. Kun sekoitusvispilä(6) on täysin puhdas sekoitettavasta aineesta, niin lisää taas nopeutta varmistaaksesi moottorin riittävän jäähdytyksen.

Sekoitustapahtuman aikana liikuta laitetta hitaasti sekoitusastiassa. Jatka kunnes koko materiaali on sekoitettu.

Kun sekoitustyö on suoritettu, niin puhdistu sekoitusvispilä(6) poista lika ja epäpuhtaudet.

Huomioi: Numerot ohjeessa viittaavat Ohjekirjan kuvan osanumeroihin Laitteen kuvaus-osassa



Ympäristö



Turvallinen käytöstä poisto.

Ympäristönsuojeluohjeet. Laite sisältää arvokasta materiaalia. Vie käytöstä poistettu laite ja tarvikkeet asianmukaiseen kierrätyslaitokseen.



Laitte tulee säilyttää kuivassa ei kuumassa tilassa.

Ylläpityhuolto

Huomioi: Varmista, että laitteen huoltaja on pätevä sähköasentaja.

Altrad Bellein Promix on suunniteltu toimimaan moitteettomasti useita vuosia.

On kuitenkin tärkeää, että oheisen taulukon mukaiset ylläpityhuollot susoritetaan. Suosittelemme, että Belle Yhtymän jälleenmyyjä suorittaa kaikki suurehkot ylläpityhuollot ja korjaukset. Käytä aina alkuperäisiä Belle Yhtymän varaosia, muiden osien käyttö saattaa päättää laitteen takuun. Ennenkuin suoritat mitään huoltoa laitteelle, niin varmista, että laite on kytketty irti virtalähteestä.

Säännöllinen huolto		Noin 100 Tunnin Jälkeen	Noin 200 Tunnin Jälkeen
Moottorin Hiilet	Tarkista	✓	
	Tarkista tarvittaessa		
Vaihteiston Rasva	Tarkista / Vaihda		✓

Laitteen sähkömoottori on varustettu itseaktivoituvilla hiilillä. Se tarkoittaa sitä, että laite pysähtyy automaattisesti kun hiilet ovat kuluneet tietylle tasolle. Oheisena hiilien vaihto-ohje.

Moottorin hiilien vaihto.

1. Avaa kaksi moottorin molemmilla puolilla olevaa hiilenpidintä(8) lattapäisellä ruuvimeisselillä.
2. Vaihda kuluneet hiilet uusiin.
3. Kiristä molemmat hiilenpitimet(8) ja varmista, että hiilet ovat paikoillaan.

Pidä myös tuuletusaukot puhtaina liasta ja epäpuhtauksista jotta moottori saa vaaditun jäähdytyksen.



JAK KORZYSTAC Z NINIEJSZEGO PODRECZNIKA

Niniejszy podręcznik został napisany, aby pomóc w bezpiecznym sterowaniu i obsłudze Mieszarki Elektrycznej Promix. Ten podręcznik przeznaczony jest dla sprzedawców i operatorów Mieszarek Elektrycznych Promix.

Przedmowa

Dział **'Opis Maszyny'** pomaga w zaznajomieniu się z rozmieszczeniem i funkcjami sterowania poszczególnych elementów obsługi maszyny.

Dział **'Zalecenia Bezpieczeństwa'** oraz **'Zdrowie i Bezpieczeństwo'** wyjaśnia, jak użytkować maszynę, aby zapewnić sobie bezpieczeństwo oraz bezpieczeństwo ogólnospoleczne.

'Praca mieszarki' przedstawia zalecenia dotyczące sposobu pracy z urządzeniem Promix.

Dział **'Obsługa i Konserwacja'** jest po to, aby pomóc Tobie w ogólnym utrzymaniu oraz obsłudze Twojej maszyny.

Dział **'Gwarancja'** określa charakter objęcia gwarancją i procedurę reklamacyjną.

Dział **'Deklaracja Zgodności'** przedstawia normy, na podstawie których maszyna została wykonana.

Wytyczne odnośnie zapisów.

Tekst w niniejszym podręczniku, na który należy zwrócić szczególną uwagę, jest przedstawiony w sposób następujący:



UWAGA

Produkt może stanowić zagrożenie. Istnieje ryzyko uszkodzenia maszyny lub zranienia operatora, jeżeli procedury nie zostały przeprowadzone w sposób właściwy.



OSTRZEŻENIE

Istnieje możliwość zagrożenia życia operatora.



OSTRZEŻENIE



OSTRZEŻENIE

*Przed obsługą i przeprowadzaniem konserwacji tej maszyny **NALEŻY PRZECZYTAĆ i PRZESTUDIOWAĆ** niniejszy podręcznik.*

Należy **WIEDZIEĆ** jak bezpiecznie wykorzystywać regulację urządzenia i jak należy dokonywać bezpiecznej jego konserwacji.

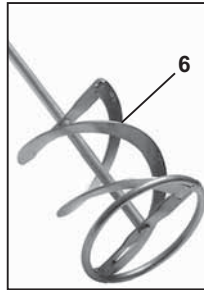
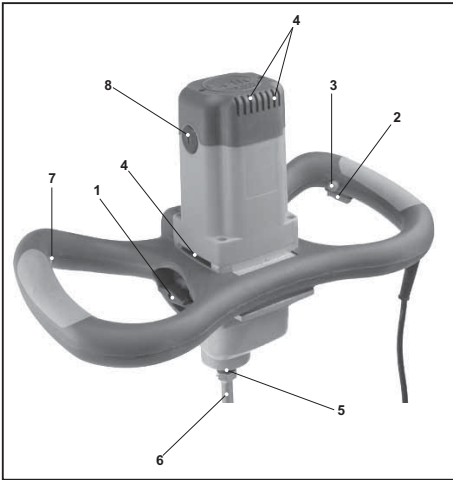
(Notabene należy się upewnić, czy wiadomo, jak wyłączyć maszynę już przed jej włączeniem na wypadek wystąpienia problemów.)

ZAWSZE nosić lub używać odpowiednich elementów ochrony osobistej. Jeżeli masz **JAKIEKOLWIEK PYTANIA** na temat bezpiecznego używania i konserwacji tego urządzenia, ZAPYTAJ NASZEGO KIEROWNIKA NADZORU LUB SKONTAKTUJ SIĘ Z: GRUPĄ BELLE Wlk. Brytania. +44 (0) 1298 84606



Spis treści

JAK KORZYSTAC Z NINIEJSZEGO PODRECZNIKA	50
UWAGA	50
OPIS MASZINY	51
DANE TECHNICZNE	51
ZALECENIA BEZPIECZENSTWA	51
ZDROWIE I BEZPIECZENSTWO	52
KONTROLA PRZED URUCHOMIENIEM.....	52
PRACA MIESZARKI PROMIX	52
SRODOWISKO	52
PRZECHOWYWANIE	53
OBSLUGA I KONSERWACJA	53
GWARANCJA	53
DEKLARACJA ZGODNOSCI	3



1. Przełącznik przekładni.
2. Spust.
3. Blokada spustu.
4. Szczeliny wentylacyjne.
5. Walek z gwintowaniem zenskim M14.
6. Mieszadło.
7. Tarcza zmiany predkosci.
8. Szczotkotrzymacze

DANE TECHNICZNE

Model	1200E	1600E
Ciezar calkowity urzadzzenia (kg)	7.0	7.8
Ciezar urzadzzenia bez mieszadla (kg)	5.5	6.2
Wysokosc urzadzzenia * (mm)	865	865
Moc (W)	1200	1600
Rozmiar klucza	M14 x 2	M14 x 2
Maksymalna srednica mieszadla (mm)	120	160
Poziom halasu (dB(A))	102	98
Objetosc substancji mieszanej (L)	113	227
Rodzaje substancji	Tynk Cement / Zaprawa Klej do plytek Tynk Dwuwarstwowy	Tynk Cement / Zaprawa Klej do plytek Tynk Dwuwarstwowy

ZALECENIA BEZPIECZENSTWA

Dla bezpieczenstwa wlasnego i bezpieczenstwa wszystkich przebywajacych wokoli nalezy przeczytac i upewnic sie, czy sie rozumie, nastepujace informacje nt. bezpieczenstwa. Operator jest odpowiedzialny za to, aby upewnil sie, ze w pelni rozumie, jak bezpiecznie obslugiwac urzadzzenie. W przypadku niepewnosci, co do bezpieczonego i wlasciwego uzytkowania Mieszarki Promix skonsultuj sie ze swym kierownikiem nadzoru lub Altrad Belle.



UWAGA

Urzadzzenie moze stanowic zagrozenie. Istnieje ryzyko uszkodzenia maszyny lub zranienia operatora, jezeli procedury nie sa przeprowadzane w sposob wlasciwy.

- Ogródcz miejsce przeprowadzania robót i utrzymuj współpracowników oraz osoby nieupoważnione w bezpiecznej odległości od miejsca pracy urządzenia.
- Nos Sprzet Ochrony Osobistej (SOO) w kazdym miejscu, gdzie sprzet ten jest przewidziany do uzytku (patrz Zdrowie i Bezpieczenstwo).
- Upewnij sie, ze potrafisz bezpiecznie wylaczyc urzadzzenie przed tym, jak dokonasz jego wlaczenia, na wypadek powstania problemow.
- Zawsze wylaczaj silnik urzadzzenia przed jego transportowaniem, przemieszczaniem na miejscu robót oraz przed wykonywaniem czynnosci konserwacyjnych badz naprawczych.
- Nigdy nie usuwaj ani nie naruszaj jakichkolwiek oslon, w które wyposazona jest maszyna, one sa tu dla Twojej ochrony. Zawsze sprawdzaj oslony pod wzgledem ich stanu technicznego i bezpieczenstwa. Jezeli jakakolwiek z nich jest uszkodzona lub nie ma jej w ogóle, **NIE UZYWAJ MIESZARKI**, dopóki oslona ta nie zostanie wymieniona lub naprawiona.
- Nie uzywaj maszyny, gdy jestes chory, czujesz sie zmeczony, lub tez gdy jestes pod wplywem alkoholu lub narkotykwów.
- Nie wkladaj rak ani innych czesci ciala do pojemnika z mieszana substancja podczas procesu mieszania.



ZDROWIE I BEZPIECZENSTWO

Drgania.

Niektóre drgania powstające podczas pracy mieszarki przenoszone są przez uchwyt na ręce operatora maszyny. Mieszarka Altrad Belle została specjalnie zaprojektowana tak, aby zmniejszyć poziom drgan przenoszonych na ręce i ramiona. Odnies się do wymagań i danych technicznych, aby poznać poziomy drgan i czasów użytkowania maszyny (zalecany maksymalny, dzienny czas narażenia na działanie drgan). NIE przekraczaj maksymalnych czasów użytkowania maszyny.

SOO (Sprzęt Ochrony Osobistej).

Należy nosić odpowiedni SOO podczas użytkowania urządzenia, np. Okulary Ochronne, Rękawice Ochronne, Nauszniki, Maski Przeciwpylowe oraz Buty z ochraniaczami palców u nóg. Nos zawsze ubranie odpowiednie do pracy, jaką wykonujesz. Zwiąż z tyłu długie włosy oraz usuń biżuterię, która może dostać się w kontakt z poruszającymi się elementami urządzenia.

Urządzenia elektryczne.

Prąd elektryczny może zabić! Zawsze upewnij się, że urządzenie jest odłączone od źródła zasilania, zanim rozpoczniesz jakiegokolwiek prace konserwacyjne lub naprawcze. Nigdy nie używaj urządzenia w warunkach dużej wilgotności otoczenia.



KONTROLA PRZED URUCHOMIENIEM

Należy przeprowadzić następującą Kontrolę przed uruchomieniem maszyny przed rozpoczęciem każdej sesji roboczej lub po każdym czterech godzinach pracy, w zależności od tego, co wystąpi pierwsze. W tym celu prosimy się odnieść do działu obsługi celem uzyskania szczegółowych wskazówek. Jeżeli zostanie wykryte jakiegokolwiek uszkodzenie to Mieszarka Promix nie może być używana zanim usterka ta nie zostanie usunięta.

1. Sprawdź gruntownie Promix pod kątem występowania oznak uszkodzeń. Sprawdź, czy wszystkie elementy składowe są zamontowane i zabezpieczone. Szczególną uwagę zwróć zamontowanie mieszadła.
2. Sprawdź przewody elektryczne czy nie ma uszkodzenia izolacji. Uzupełnij ewentualne braki izolacji.



PRACA MIESZARKI PROMIX



OSTRZEŻENIE

Przed obsługą i przeprowadzaniem konserwacji tej maszyny **NALEŻY PRZECZYTAĆ i PRZESTUDIOWAĆ** niniejszy podręcznik.

Podczas pracy z Mieszarką trzymaj ją obydwoma rękami za uchwyty.

Przycisnij i trzymaj spust (2), aby rozpocząć i kontynuować mieszanie. Jeżeli spust (2) jest wcisnięty, można wcisnąć blokadę spustu (3). Spowoduje to zablokowanie spustu w położeniu odpowiadającym włączeniu i nie będzie wymagało ciągłego nacisku reka. Aby zatrzymać pracę urządzenia w takiej sytuacji należy wcisnąć i puścić spust (2).

Mieszarki z przekładnią dwustopniową mogą pracować na jednej z dwóch prędkości. Pierwsza przekładnia odpowiada mniejszej prędkości roboczej. Drugie położenie przekładni to szybka prędkość. Aby zmienić położenie przekładni przekreśl przelaznik przekładni o 180°. Tarcza zmiany prędkości (7) pozwala na regulację prędkości w zakresie każdego z położen przekładni.

Pamiętaj, aby zawsze zredukować prędkość roboczą mieszarki przed włożeniem jej do substancji mieszanej, a następnie przed wyjęciem mieszarki. Po całkowitym oczyszczeniu mieszadła z substancji mieszanej zwiększ ponownie prędkość, aby zapewnić odpowiednie chłodzenie silnika.

Podczas mieszania powoli przemieszczaj mieszarkę po pojemniku, w którym znajduje się substancja mieszana. Czynność tę należy kontynuować aż do całkowitego wymieszania substancji.

Po zakończeniu mieszania, oczyść dokładnie mieszarkę, aby zapobiec odkładaniu się zanieczyszczeń z kolejnych prac.

Zauważ: Liczby w nawiasach wskazują na konkretny element mieszarki jak na zdjęciu w niniejszej instrukcji.



SRODOWISKO



Bezpieczne usuwanie odpadów.

Instrukcje ochrony środowiska naturalnego. Maszyna zawiera materiały wartościowe. Zużyta aparatura i akcesoria umieszczaj w odpowiednich urządzeniach do recyklingu.



Urządzenie powinno być przechowywane w suchym miejscu, w którym nie panują bardzo wysokie temperatury.

OBSŁUGA I KONSERWACJA

Zauważ: Prosimy pamiętać, aby wszystkie czynności konserwacyjne wykonywał wykwalifikowany elektryk.

Mieszarki serii Promix produkowane przez Altrad Belle są zaprojektowane tak, aby zapewnić bezawaryjną pracę na wiele lat. Ważnym jest jednak, aby regularnie przeprowadzać opisaną w niniejszym dziale konserwację urządzenia. Zaleca się, aby wszystkie ważniejsze prace konserwacyjne i naprawy były przeprowadzane przez autoryzowanego dealera Altrad Belle. Zawsze stosuj wyłącznie oryginalne części zamienne Altrad Belle; używanie nieautentycznych części może doprowadzić do unieważnienia Twojej gwarancji. Przed dokonywaniem jakiegokolwiek konserwacji urządzenia, odłącz je od źródła zasilania.

Rutynowa Konserwacja		Po ok. 100 godz. pracy	Po ok. 200 godz. pracy
Szczotki Silnika	Sprawdz	✓	
	Wymien		
Smar Przekładni	Sprawdz stan / wymien		✓

Urządzenie jest wyposażone w samo-deaktywujące się węglowe szczotki silnika. Oznacza to, że urządzenie wyłączy się samo po zużyciu się szczotek do pewnego poziomu. Instrukcje poniżej omawiają wymianę szczotek.

Wymiana węglowych szczotek silnika.

1. Używając płaskiego śrubokręta odkrec dwa szczotkotrzymacze (8) zlokalizowane po przeciwnych stronach obudowy silnika.
2. Wymij zużyte szczotki i załóż nowe.
3. Dokrec szczotkotrzymacze (8) upewniając się, że szczotkotrzymacze są prawidłowo zamontowane.

Pamiętaj również, aby sprawdzać drożność szczelin wentylacyjnych (4), które umożliwiają prawidłowe chłodzenie silnika.

Данное руководство составлено с целью помочь вам в безопасной работе и обслуживании Промикса. Руководство предназначено для поставщиков и операторов Промикса.

Предисловие

Раздел «**Описание машины**» поможет вам освоить конструкцию машины и управление ею.

Разделы «**Общая безопасность**» и «**Здоровье и безопасность**» объяснят вам, как пользоваться данной машиной с учетом вашей собственной безопасности, а также безопасности окружающих людей.

Раздел «**Руководство по употреблению**» объяснит вам, как правильно пользоваться машиной.

«**Техническое обслуживание**» поможет вам с вопросами по общему техническому обслуживанию вашей машины.

Раздел «**Гарантия**» дает детальное описание основных принципов гарантии, а также процедуры для предъявления гарантийных претензий.

Раздел «**Сертификат соответствия**» показывает стандарты, по которым данная машина была построена.

Указания о вещах, требующих повышенного внимания.

Текст в данном руководстве, на который необходимо обратить особое внимание, выделен следующим способом:



ВНИМАНИЕ

Данная продукция может содержать в себе элементы риска. В случае, если процедуры выполняются неверно, может пострадать как машина, так и вы сами.



Предупреждение

Жизнь оператора может подвергнуться опасности.

Предупреждение!



Предупреждение

*Прежде чем проводить какие-либо работы или выполнять техобслуживание данной машины, **вы должны ПРОЧИТАТЬ и ИЗУЧИТЬ** данное руководство.*

Необходимо **ЗНАТЬ**, как безопасно пользоваться управлением данной машины и что надо делать для безопасного выполнения работ по техническому обслуживанию.

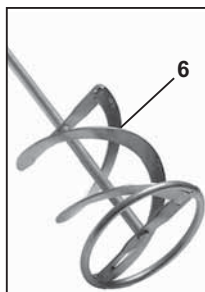
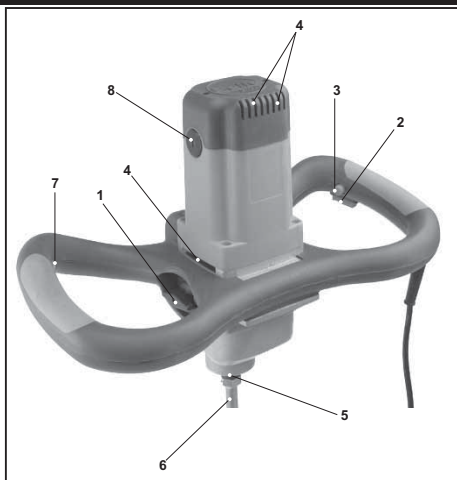
ВНИМАНИЕ! Чтобы не попасть в затруднительное положение, убедитесь в том, что вы знаете как безопасно выключить машину, до того, как вы ее включите.

ВСЕГДА носите и используйте соответствующие защитные вещи, необходимые для обеспечения вашей безопасности.

Если у вас возникнут **какие-либо вопросы** по поводу безопасного использования и техобслуживания данной машины, обратитесь к своему руководству или свяжитесь с Белле Групп

Оглавление

Как пользоваться данным Руководством.....	54
Предупреждение.....	54
Описание машины.....	55
Технические данные.....	55
Общая безопасность.....	55
Здоровье и безопасность.....	56
Контроль перед запуском.....	56
Руководство по использованию.....	56
Окружающая среда.....	56
Хранение.....	57
Техническое обслуживание.....	57
Гарантия.....	57
Сертификат соответствия.....	4



1. Переключатель скоростей.
2. Кнопка запуска.
3. Фиксатор кнопки запуска.
4. Вентиляционное отверстие.
5. Вал с внутренней резьбой M14.
6. Смешивающие лопасти.
7. Поворотный регулятор скорости.
8. Крепления для щеток.

Технические данные

Модель	1200E	1600E
Общий вес машины (кг)	7.0	7.8
Вес машины без лопасти (кг)	5.5	6.2
Высота машины* (мм)	865	865
Мощность (В)	1200	1600
Размер инструмента	M14 x 2	M14 x 2
Максимальный диаметр смешивающей лопасти (мм)	120	160
Уровень шума (дБ(A))	102	98
Объем смеси (в литрах)	113	227
Материалы для работы	Клейкий раствор Цементный раствор Раствор для плитки Штукатурка	Клейкий раствор Цементный раствор Раствор для плитки Штукатурка

Инструкции по безопасности

Для обеспечения вашей собственной защиты, а также безопасности окружающих вас людей, пожалуйста, прочтите и убедитесь в том, что вы полностью усвоили нижеследующую информацию по безопасности. Обязанностью оператора является то, чтобы он/она полностью понимал(а), как именно надо работать с данным оборудованием в безопасном режиме. Если у вас нет уверенности по поводу безопасного и правильного использования Промикса, обратитесь к вашему руководству или свяжитесь с Бель Групп.



ВНИМАНИЕ

Неверное проведение техобслуживания может привести к возникновению опасности. Прочтите и поймите этот раздел перед тем, как начинать выполнять какие-либо работы по техническому обслуживанию или ремонту.

- Оградите место проведения работ и держите публику и посторонних на безопасном расстоянии.
- При любом использовании данного оборудования оператор должен надевать средства персональной защиты (СПЗ); (см. «Здоровье и безопасность»).
- Чтобы не попасть в затруднительное положение, убедитесь в том, что вы знаете, как **безопасно выключить** машину до того, как вы ее **включите**.
- Следует всегда **выключать** мотор перед транспортировкой, переносом машины на месте выполнения работ или проведением техобслуживания.
- Никогда не следует снимать и трогать какие-либо предохранительные щитки: они сделаны для вашей защиты. Следует всегда проверять состояние предохранительных щитков, а также их крепеж; если какие-либо из них повреждены или отсутствуют, **НЕ ПОЛЬЗУЙТЕСЬ ПРОМИКСОМ** до тех пор, пока предохранительный щиток не будет заменен или починен.
- Не следует работать с машиной, если вы больны, устали или если вы находитесь в состоянии алкогольного или наркотического опьянения.
- Емкость для смешивания следует устанавливать на ровной и твердой поверхности.
- Во время процесса смешивания не следует касаться раствора в емкости для смешивания частями тела или опускать в него какие-либо предметы.



Здоровье и безопасность

Вибрация

Во время проведения работ по размешиванию какая-то часть вибрации передается через рукоятку управления на руки оператора.

СПЗ (Средства персональной защиты)

При использовании данного оборудования необходимо надевать соответствующие виды СПЗ, такие как защитные очки, перчатки, защитные наушники и обувь со стальными вставками. Следует носить одежду, которая подходит для той работы, которую вы выполняете. Подвяжите длинные волосы и снимите бижутерию, которая может попасть между подвижными частями машины. Всегда предохраняйте кожу от непосредственного контакта с бетоном.

Электрическое оборудование.

Электричество может убить! Перед тем, как выполнять какие-либо работы по техническому обслуживанию/ремонту, следует всегда убедиться в том, что машина отключена от источника питания. Никогда не следует пользоваться машиной в условиях повышенной сырости.



Контроль перед запуском

Осмотр перед запуском.

Нижеследующий осмотр должен выполняться перед началом каждого рабочего цикла, или после каждых четырех часов работы, в зависимости от того что наступит первым. Для детального описания обратитесь, пожалуйста, к разделу «Техобслуживание». В случае если будет обнаружен какой-либо сбой, Промиксом нельзя пользоваться до полного устранения неполадки.

1. Тщательно осмотрите Промикс на предмет повреждений. Проверьте, чтобы все компоненты присутствовали на своих местах в соответствующих положениях. Следует обратить особое внимание на лопасть для смешивания и убедиться в том, что она надежно прикреплена к рукоятке.
2. Проверьте электрические кабели на предмет обнаружения оголенных проводов. Следует исправить все оголенные места до начала работы.



Руководство по применению



ПРЕДУПРЕЖДЕНИЕ

Прежде чем проводить какие-либо работы или выполнять техобслуживание данной машины **Вы должны прочитать и изучить** данное руководство.

Следует управлять машиной, всегда придерживая ее обеими руками.

Для того чтобы начать процесс смешивания, следует нажать и удерживать нажатой кнопку запуска (2).

Как только кнопка запуска переведена в положение "ON" (=ЗАПУСК), следует нажать на **фиксатор** кнопки запуска (3). Таким образом, кнопка запуска будет зафиксирована в рабочем положении, и вам после этого не надо будет придерживать ее рукой. Для того чтобы остановить машину, нажмите и отпустите кнопку запуска (2).

У машин, оснащенных двухступенчатой коробкой передач, имеются две скорости. Первая скорость – медленная, а вторая – быстрая. Для переключения с одной скорости на другую следует повернуть переключатель скоростей (1) на 180 градусов. Кроме этого, имеется диск для регулировки скорости, который позволит вам изменять скорость работы при использовании какой-либо из двух передач.

Перед тем, как опускать лопасть для смешивания в размешиваемый материал, а также перед тем, как вынимать ее оттуда, всегда следует уменьшать скорость. Как только лопасть для смешивания (6) будет полностью очищена от размешиваемого материала, следует опять увеличить скорость для того, чтобы обеспечить мотору соответствующее охлаждение.

Во время процесса смешивания следует медленно двигать машину в емкости для смешивания. Этот процесс следует продолжать до тех пор, пока весь смешиваемый материал не будет размешан.

После полного окончания процесса размешивания следует очистить лопасть для смешивания (6) для предотвращения нарастания на ней слоя грязи и остатков. **Примечание:** Цифры, указанные в скобках, имеют отношение к изображению, помещенному в разделе «Описание машины» данной брошюры.



Окружающая среда



Безопасная утилизация.

Инструкции по охране окружающей среды.

Машина сделана из ценных материалов. Передайте списанный аппарат и запчасти в ближайшее предприятие по переработке утильсырья.



Машину следует хранить в сухом помещении, не подверженном влиянию экстремальных температур.

Техническое обслуживание

Примечание: Все процедуры по техническому обслуживанию должны проводиться квалифицированным электриком.

Промикс производства Бель Групп разработан для долгосрочной и бесперебойной работы. Тем не менее, очень важно регулярно проводить несложные работы по техническому обслуживанию, описываемые в данном параграфе. При этом рекомендуется проводить все значительные по объему работы по техническому обслуживанию и ремонту у официального представителя Бель Групп. Всегда используйте оригинальные запчасти Бель Групп; использование поддельных запчастей может аннулировать ваше право на гарантийное обслуживание. Перед тем, как начинать проводить какие-либо работы по техобслуживанию машины, убедитесь в том, что машина выключена.

Регулярное техобслуживание		Примерно каждые 100 часов	Примерно каждые 200 часов
Щетки мотора	Проверить!	✓	
	Заменить в случае необходимости		
Масло в коробке скоростей	Проверить / Заменить!		✓

Мотор машины оснащен самовыключающимися углеродными щетками. Это означает, что как только щетки изнашиваются до определенного уровня, машина автоматически выключится. См. ниже инструкции о том, как их заменить.

Замена углеродных щеток мотора.

1. При помощи плоской отвертки отвинтите два крепления для щеток (8), которые расположены по обеим сторонам корпуса мотора.
2. Снимите старые щетки и замените их новыми щетками.
3. Завинтите крепления для щеток (8) таким образом, чтобы обеспечить надежность их установки.

Для того чтобы машина могла получать соответствующее охлаждение, следует также предохранять вентиляционные отверстия (4) от попадания на них грязи и пыли.



Kuidas kasutada käesolevat kasutusjuhendit?

Käesoleva kasutusjuhendi juhiste järgi saate Promixi betoonisegistiga ohutult töötada ja seda nõuetekohaselt hooldada. Kasutusjuhend on mõeldud Promixi müügiesindajatele ja kasutajatele.

Eessõna

Peatükis “**Seadme kirjeldus**” tutvustatakse seadme ehitust ja juhtkange.

Peatükkides “**Üldohutusnõuded**” ning “**Tervis ja ohutus**” selgitatakse, kuidas kasutada seadet operaatorile ja ümbruskonnale ohutul viisil.

Peatükk “**Kasutusjuhend**” sisaldab juhiseid seadme nõuetekohaseks kasutamiseks.

Peatükis “**Hooldus**” esitatakse seadme hoolduseks vajalikke juhiseid.

Peatükis “**Garantii**” selgitatakse garantiipõhimõtteid ja vastavate nõuete esitamise korda.

Peatükis “**Vastavusdeklaratsioon**” osutatakse standarditele, milles sätestatud nõuetele käesolev seade vastab.

Märkuste tähendused

Käesolevas kasutusjuhendis on erilist tähelepanu nõudev tekst tähistatud järgmiselt.



ETTEVAATUST

Seadmega seonduv oht. Kasutusjuhendi nõuete eiramisel võite kahjustada seadet või vigastada ennast.



HOIATUS

Operaatori elu võib olla ohus.



HOIATUS



HOIATUS

Enne masina kasutamist ja igasuguseid hooldustöid tuleb käesolev juhend läbi lugeda ja selgeks õppida

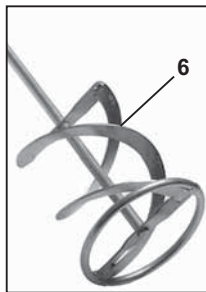
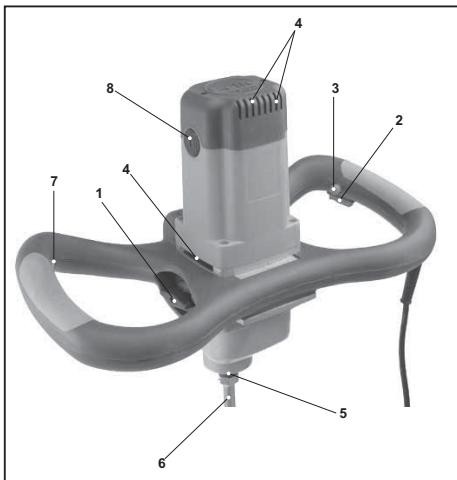
ÕPPIGE seadme juhtkange ohutult kasutama ja seadet ennast ohutult hooldama. (NB! Enne seadme käivitamist tehke kindlaks, kas oskate selle probleemi korral välja lülitada.) Omaenda turvalisuse huvides kandke **ALATI** nõutud isikukaitsevahendeid.

Kui Teil tekib seoses seadme ohutu kasutamise või hooldamisega **KÜSIMUSI**, PÖÖRDUGE TÖÖDEJUHTAJA VÕI **Altrad Bellel (SUURBRITANNIA) ESINDAJA POOLE**: +44 012 988 4606



Sisukord

Kuidas käesolevat kasutusjuhendit kasutada?.....	58
Hoiatus	58
Seadme kirjeldus.....	59
Tehnilised andmed.....	59
Ohutusnõuded	59
Tervis ja ohutus.....	60
Käivituseelne kontroll.....	60
Kasutusjuhend.....	60
Keskkond.....	60
Hoiustamine.....	61
Hooldus	61
Garantii	61
Vastavusdeklaratsioon.....	4



1. Käiguvahetuslüli
2. Käivituslüli
3. Käivituslüli lukk
4. Ventilatsiooniaavad
5. M 14 sisekeermega vööl
6. Segamislab
7. Kiiruse valikulüli
8. Harjahoidikud

Tehnilised Andmed

Mudel	1200E	1600E
Seadme kogukaal (kg)	7.0	7.8
Seadme kaal – v.a. segamislab (kg)	5.5	6.2
Seadme kõrgus * (mm)	865	865
Võimsus (W)	1200	1600
Tööriistumendi mõõtmed	M14 x 2	M14 x 2
Segamislab maksimaalne läbimõõt (mm)	120	160
Müratase (dB(A))	102	98
Segu kogus (Ltrs)	113	227
Sobivad materjalid	Kipsisegu Tsemendimört/Müürisegu Plaatimisegu Krohvisegu	Kipsisegu Tsemendimört/Müürisegu Plaatimisegu Krohvisegu

Ohutusnõuded

Teie enda ja teiste inimeste ohutuse tagamiseks lugege käesolevad ohutusnõuded hoolikalt läbi. Veenduge, et saate neist aru. Operaatore vastutab selle eest, et ta teab täpselt, kuidas seadet ohutult kasutada. Kui Te ei ole päris kindel, kuidas betoonisegistit Promixi ohutult ja õigesti kasutada, pöörduge töödejuhataja või Altrad Bellei esindaja poole.



ETTEVAATUST

Valed hooldusvõtted võivad põhjustada ohtu. Lugege alljärgnevat osa enne hooldus-, või remonditööde tegemist hoolikalt läbi.

- Ümbritsege tööpiirkond ohutuslindiga ja jälgige, et kõrvalised inimesed oleksid ohutus kauguses.
- Seadmega töötamisel (vt pkt "Tervis ja ohutus") kandke alati vastavaid isikukaitsevahendeid.
- Enne seadme **KÄIVITAMIST** tehke endale selgeks, kuidas probleemi korral seade **VÄLJA LÜLITADA**.
- Enne transportimist, tööobjektile teisaldamist või hooldustööde tegemist **LÜLITAGE** seade alati **VÄLJA**.
- Ärge kunagi eemaldage ega puutuge paigaldatud kaitsekatted. Kaitsekatted on mõeldud Teie ohutuse tagamiseks. Kontrollige alati, kas kaitsekatted on nõuetekohases seisukorras ja korralikult kinnitatud.
- **ÄRGE KASUTAGE PROMIXI BETOONISEGISTIT** seni, kui kaitsekate on vahetatud või parandatud.
- Ärge kasutage seadet, kui olete haige, väsinud või alkoholi või ravimite mõju all.
- Paigaldage segamisanum tasasele ja kindlale pinnale.
- Hoidke oma kehaosad ja muud esemed segamise ajal segamislülituse eemal.



Tervis Ja Ohutus

Vibratsioon

Seadmega töötamisel tekkiv vibratsioon kandub mõnel määral käepideme kaudu operaatori kätele.

Isikukaitsevahendid

Seadme kasutamisel kandke vastavaid isikukaitsevahendeid, näiteks kaitseprille, -kindaid, kõrvatrope, kaitsemaski ning terastaldade ja põiaosa tugevusega jalanõusid. Kandke töö tegemiseks sobivaid rõivaid. Pange pikad juuksed kinni ja võtke ära kõik ehted, mis võivad seadme liikuvate osade vahele jääda.

Elektriajamiga seadmed

Elekter võib olla eluohtlik! Enne hooldus- või remonditööde tegemist kontrollige, kas seade on vooluvõrgust välja lülitatud. Ärge kunagi kasutage seadet märgades tingimustes.



Käivituseelne kontroll

Käivituseelne ülevaatus

Järgnevalt kirjeldatud käivituseelne ülevaatus tuleb teha iga kord enne töö alustamist või iga nelja töötunni tagant, olenevalt sellest, kumb aeg saabub varem. Üksikasjalikud juhised on toodud hooldust käsitlevas peatükis. Kui avastate rikke, ei tohi Promixi betoonisegistit kasutada enne, kui see on ära parandatud.

1. Kontrollige Promixi betoonisegistit, et avastada võimalikud kahjustused. Kontrollige, kas kõik osad on alles ja tugevalt kinnitatud. Pöörake erilist tähelepanu segamislalale ja kontrollige, kas viimane on käepidemele tugevalt kinnitatud.
2. Veenduge, et elektri kaablid ei ole kulunud. Kõrvaldage kahjustused enne tööleasumist.



Kasutusjuhend



HOIATUS Enne masina kasutamist ja igasuguseid hooldustöid tuleb käesolev juhend läbi lugeda ja selgeks õppida

Hoidke töötamise ajal mõlemad käed käepidemel.

Segamisprotsessi käivitamiseks hoidke käivituslülitit (2) all.

Kui käivituslülitit (2) on asendis "ON", vajutage käivituslülitit lukk (3) alla. See lukustab käivituslülitit (2) asendisse "ON" ja säästab Teid selle allhoidmisest.

Seadme seiskamiseks vajutage käivituslülitile (2), et see vabastada.

Kahekäigulise käigukastiga varustatud seadmetel on kaks kiirust. Esimene käik on aeglane ja teine kiire. Käigu vahetamiseks pöörake käigu vahetuslülitit (1) 180°. Samuti on seadmel kiiruse valikulülitit (7), millega saab ükskõik kumma käigu kasutamise ajal kiirust muuta.

Kui asetate segamislaba segumaterjalisse või eemaldate sealt, vähendage alati laba pöörlemiskiirust. Kui segamislaba (6) on segumaterjalist täiesti puhas, suurendage mootori jahutamiseks uuesti kiirust.

Segamisprotsessi ajal liigutage segistit aeglaselt anumas. Jätkake, kuni materjal on täiesti segunenud.

Pärast segamise lõpetamist tehke segamislaba (6) puhtaks. Siis ei kogune sellele mustust ega jääkaineid.

Märkus Sulgudes olevad numbrid viitavad kasutusjuhendi seadme kirjelduse osas kasutatud piltidele.



Keskkond



Ohutu ladustamine

Keskkonnakaitsesega seonduvad nõuanded

Seade on valmistatud väärtuslikest materjalidest. Viige kõlbmatuks muutunud seade ja selle lisavarustus vastavasse töötlemisettevõttesse.



Hoistamine



Hoistage seadet kuivades tingimustes kaitstuna äärmuslike temperatuuride eest.

Hooldus



Märkus Seadet võib hooldada ainult kvalifitseeritud elektrik.

Altrad Belle betoonisegisti Promix on väga kvaliteetne ja seda saab probleemideta kasutada pikka aega. Kuid samas on oluline korrapäraselt teha kasutusjuhendi selles peatükis kirjeldatud lihtsaid hooldustöid. Kõikide suuremate hooldus- ja remonditööde tegemiseks on soovitatav pöörduda Altrad Belle'i esindaja poole. Kasutage alati Belle originaalvaruosi, vastasel korral võib garantii kaotada kehtivuse. Enne hooldustööde tegemist kontrollige, kas seade on vooluvõrgust välja lülitatud.

Korrapärane hooldus		Umbes 100 töötunni järel	Umbes 200 töötunni järel
Mootoriharjad	Kontrollige	✓	
	Vajaduse korral vahetage välja		
Käigukastiõli	Kontrollige / vahetage		✓

Seade on varustatud isedesaktiveeruvate süsinikust mootoriharjadega, ning see tähendab, et harjade kulumisel teatud tasemeni lülitub seade automaatselt välja. Mootoriharjade vahetamisel järgige alltoodud juhiseid.

Süsinikust mootoriharjade vahetamine

1. Keerake hariliku kruvikeeraja abil kummalgi pool mootori kesta asuvat kaks harjahoidikut (8) lahti.
2. Eemaldage kulunud harjad ja asendage need uutega.
3. Keerake mõlemad harjahoidikud (8) kinni ja veenduge, et kinnitus on tugev.

Seadme nõuetekohase jahutamise tagamiseks kontrollige, kas ventilatsioonivad (4) on mustusest ja jääkainetest puhtad.

Märkus Sulgudes olevad numbrid viitavad kasutusjuhendi seadme kirjelduse osas kasutatud piltidele.



Kā Izmantot Šo Rokasgrāmatu

Šī rokasgrāmata ir uzrakstīta, lai palīdzētu jums droši lietot un kopt Promix.
Rokasgrāmata paredzēta Promix dīleriem un lietotājiem.

Priekšvārds

Sadaļa '**Ierīces apraksts**' palīdz jums iepazīties ar ierīces uzbūvi un kontrolierīcēm.

Sadaļās '**Vispārējā drošība**' un '**Veselība un drošība**' sniegti paskaidrojumi par ierīces lietošanu, lai nodrošinātu jūsu un apkārtējo cilvēku drošību.

Sadaļā '**Lietošanas instrukcija**' sniegti paskaidrojumi par to, kā pareizi lietot ierīci.

Sadaļā '**Apkope**' paredzēta, lai informēt jūs par vispārēju ierīces apkopi un labošanu.

Sadaļā '**Garantija**' sniegta informācija par garantijas noteikumiem un prasību iesniegšanas procedūru.

Sadaļā '**Atbilstības deklarācija**' norādīti standarti, saskaņā ar kuriem ierīce izgatavota.

Norādījumi saistībā ar piezīmēm.

Rokasgrāmatā teksts, kam jāpievērš īpaša uzmanība, apzīmēts šādā veidā:



UZMANĪBU

Iespējams risks. Neievērojot norādījumus, ierīce var tikt bojāta vai jūs varat gūt savainojumus.



BRĪDINĀJUMS

Var tikt apdraudēta lietotāja dzīvība.



Brīdinājums



BRĪDINĀJUMS

Pirms lietotiet ierīci vai veicat jebkādas apkopes darbus, JUMS JĀIZLASA un JĀIELĀGO šī rokasgrāmata.

JĀZINA, kā droši lietot ierīces vadības elementus un veikt drošu apkopi. (NB: Pirms ierīces ieslēgšanas vienmēr pārliecinieties, ka zināt, kā to izslēgt, gadījumā, ja rastos sarežģījumi.)

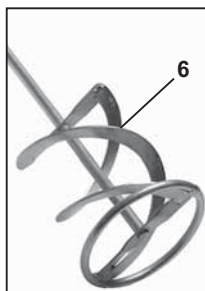
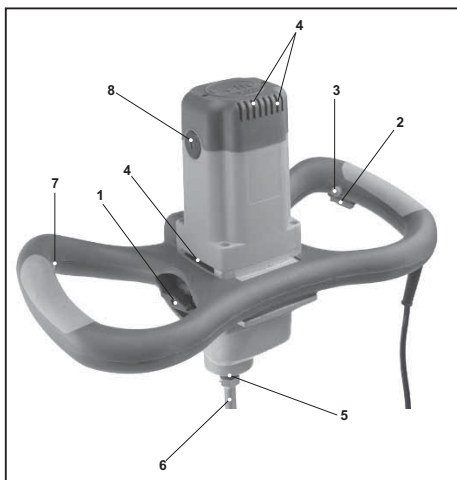
VIENMĒR valkājiet vai izmantojiet atbilstošu drošības aprīkojumu, kas nepieciešams jūsu aizsardzībai.

Ja jums ir **KĀDĪ JAUTĀJUMI** par šīs ierīces drošu lietošanu vai apkopi, VAICĀJIET DARBU VADĪTĀJAM VAI SAZINIETIES AR ALTRAD BELLE.



Saturs

Kā izmantot šo rokasgrāmatu.....	62
Brīdinājums.....	62
Ierīces apraksts.....	63
Tehniskie dati.....	63
Drošības instrukcijas.....	63
Veselība un drošība.....	64
Pārbaudes pirms darba sākšanas.....	64
Lietošanas instrukcija.....	64
Vide.....	64
Uzglabāšana.....	65
Apkope.....	65
Garantija.....	65
Atbilstības deklarācija.....	4



1. Slēdzis ātrumu pārslēgšanai
2. Sprūds
3. Sprūda aizslēgs
4. Ventilācijas atveres
5. Vārpsta ar M14 sievišķo vītņi
6. Maisīšanas lāpstiņa
7. Dažādu ātruma skala
8. Suku turētāji

Tehniskie Dati

Modelis	1200E	1600E
leļices kopējais svars (kg)	7.0	7.8
leļices svars – bez lāpstiņas (kg)	5.5	6.2
leļices augstums* (mm)	865	865
Jauda (W)	1200	1600
Darbarīku izmērs	M14 x 2	M14 x 2
Lāpstiņas maksimālais diametrs (mm)	120	160
Trokšņu līmenis (dB(A))	102	98
Maisīšanas tilpums (litri)	113	227
Piemēroti materiāli	Ģipsis Cements / java Flīžu līme Apmetums	Ģipsis Cements / java Flīžu līme Apmetums

Drošības Instrukcijas

Lai nodrošinātu savu un apkārtējo cilvēku drošību, lūdzam izlasīt turpmāko drošības informāciju un pārliecināties, ka tā ir pilnībā saprasta. Lietotājs ir atbildīgs par to, lai viņš/ viņa pilnībā izprastu, kā droši lietot šo aprīkojumu. Ja neesat pārliecināts par drošu un pareizu Promix lietošanu, konsultējieties ar darbu vadītāju vai Altrad Belle.



UZMANĪBU

Nepareiza apkope var būt bīstama. Pirms veicat jebkādu apkopi, servisu vai remontu, izlasiet un izprotiet šo nodaļu..

- Norobežojiet darba zonu un turiet apkārtējos cilvēkus un nepiederošas personas drošā attālumā.
- Lietojot šo leļici, lietotājam vienmēr jāizmanto personiskais aizsargaprīkojums (sk. sadaļu "Veselība un drošība").
- Pirms ieslēdzat leļici, pārliecinieties, ka zināt, kā to izslēgt gadījumā, ja rastos sarežģījumi.
- Pirms leļices pārvietošanas darba zonā vai apkopes veikšanai vienmēr izslēdziet to.
- Nekad nenopemiet vai neaiztīciet nekādu aizsargaprīkojumu – tas domāts jūsu aizsardzībai. Vienmēr pārbaudiet aizsargaprīkojuma stāvokli un drošību; ja kāda no detaļām ir bojāta vai iztrūkst, **NELIETOJIET PROMIX**, līdz tā nav nomaiņnāta vai salabota.
- Nelietojiet leļici, ja esat slims/slima, jūtaties noguris vai atrodaties alkohola vai narkotisko vielu iespaidā.
- Pārliecinieties, ka tvertne ar maisāmo materiālu ir novietota uz līdzena un stingra pamata.
- Maisīšanas procesā neievietojiet maisīšanas tvertne ķermeņa daļas vai jebkādas citas lietas.



Veselība un drošība

Vibrācija

Lietojot ierīci, neliela daļa vibrācijas caur rokturi nonāk lietotāja rokās.

Personiskais Aizsargaprīkojums

Izmantojot šo ierīci, jālieto piemērots personiskās drošības aprīkojums, t.i., aizsargbrilles, cimdi, ausu aizsargi un apavi ar tērauda purngaliem. Valkājiet apģērbu, kas atbilst veicamajam darbam. Sasieniet garus matus un noņemiet visas rotaslietas, aiz kurām varētu aizķerties ierīces kustīgās daļas.

Elektroierīces

Elektrība var nogalināt! Pirms jebkuru apkopes vai labošanas darbu veikšanas vienmēr pārslēdzieties, ka ierīce ir atvienota no strāvas padeves. Nekad nelietojiet ierīci mitrumā.



Pārbaudes pirms darba sākšanas

Apskate pirms darba sākšanas

Turpmāk aprakstītā apskate pirms darba sākšanas jāveic pirms katras darba sesijas sākuma vai pēc katrām četrām darba stundām, atkarībā no tā, kurš nosacījums izpildās ātrāk. Detalizētu aprakstu lūdzam skatīt sadaļā par apkopi. Ja tie atklāts kāds defekts, Promix nedrīkst lietot, iekams tas novērsts.

1. rūpīgi pārbaudiet Promix, vai nav redzamas kādas bojājumu pazīmes. Pārbaudiet, vai visi komponenti ir vietā un droši piestiprināti. Īpašu uzmanību pievēršiet maisīšanas lāpstiņai un pārslēdziet, ka tā ir pareizi piestiprināta pie roktura.
2. Pārbaudiet elektrības kabeļus, vai nav redzami bezapdares vadi. Pirms ierīces lietošanas izlabojiet visus bezapdares posmus.



Lietošanas instrukcija



BRĪDINĀJUMS

Pirms lietojat ierīci vai veicat jebkādas apkopes darbus, JUMS JĀIZLASA un JĀIELĀGO šī rokasgrāmata.

Lietojot ierīci, vienmēr turiet to aiz roktura ar abām rokām.

Lai sāktu maisīšanas procesi, nospiediet un turiet sprūdu (2).

Kad sprūds (2) ir pozīcijā "ON", nospiediet sprūda aizslēga pogu (3). Tādējādi sprūds (2) tiks noturēts pozīcijā "ON" bez jūsu roku palīdzības.

Lai izslēgtu ierīci, nospiediet un atlaidiet sprūdu (2).

Ierīcēm ar divu ātrumu pārslēgu iespējami 2 ātrumi. Pirmā pozīcija paredzēta mazākam, bet otrā - lielākam ātrumam. Lai pārslēgtos no vienas pozīcijas uz otru, pagrieziet ātrumu pārslēga slēdzi (1) par 180°. Ir pieejama arī dažādu ātrumu skala (7), kas jums ļauj mainīt ierīces ātrumu, izmantojot kādu no 2 ātrumiem.

Vienmēr samaziniet ātrumu, ievietojot maisīšanas lāpstiņu maisāmajā materiālā, kā arī izņemot to. Kad maisīšanas lāpstiņa (6) ir pilnīgi tīra no maisāmā materiāla, atkal palieliniet ātrumu, lai pārslēcinātos, ka motors tiek pienācīgi dzesēts.

Maisīšanas procesa laikā lēni pārvietojiet ierīci pa maisīšanas tvertni. Tas jāturpina, kamēr samaisīts viss maisāmais materiāls.

Kad maisīšanas process pabeigts, notīriet maisīšanas lāpstiņu (6), lai izvairītos no netīrumu un nosēdumu uzkrāšanās.

Piezīme: Iekavās norādītie numuri attiecas uz attēliem bukleta sadaļā "Ierīces apraksts".



Vide



Droša iznīcināšana

Norādījumi vides aizsardzībai.

Ierīce satur vērtīgus materiālus. Nolieciet ierīci un aksesuārus nogādācijai uz atbilstošām atvešanas vietām.



Ierīce jāuzglabā sausā vietā, kas nav pakļauta ekstrēmu temperatūru iedarbībai.

Apkope



Piezīme: Lūdzam nodrošināt, lai visas apkopes procedūras veiktu kvalificēts elektriķis.

Altrad Belle Promix maisītājs paredzēts lietošanai bez problēmām daudzu gadu garumā. Tomēr ir svarīgi veikt regulāras apkopes, kā aprakstīts šajā sadaļā. Ieteicams, lai visas apjomīgākās apkopes un remontus veiktu sertificēts Altrad Belle dīleris. Vienmēr izmantojiet Altrad Belle oriģinālās rezerves daļas; neoriģinālu rezerves daļu lietojums var atcelt garantiju. Pirms ierīcei tiek veikti jebkuri apkopes darbi, pārliecinieties, ka tā atslēgta no strāvas padeves.

Regulārā Apkope		Aptuveni ik pēc 100 stundām	Aptuveni ik pēc 200 stundām
Motora suku	Pārbaude	✓	
	Maiņa, kad nepieciešams		
Ātrumu pārslēga eļļa	Pārbaude / Maiņa		✓

Ierīce ir aprīkota ar pašdeaktivējošām oglekļa motora sukām. Tas nozīmē, ka ierīce automātiski izslēgsies, kad suku būs nolietojušās līdz zināmam līmenim. Skatīt zemāk esošās instrukcijas par to nomaiņu.

Oglekļa motora suku nomaiņa.

1. Šizmantojot skrūvgriezi ar plakānu galu, atskrūvējiet divus suku turētājus (8), kas novietoti abās motora aptveres pusēs.
2. Izņemiet nolietotās suku un nomainiet tās ar jaunām sukām.
3. Piestipriniet atpakaļ abus suku turētājus (8), pārliecinoties, ka tie ir droši nostiprināti. Papildus tam turiet ventilācijas atveres (4) tīras no netīrumiem un nogulsnēm, lai ierīce saņemtu pienācīgu dzesēšanu.

Ši naudojimo instrukcija parengta siekiant jums padėti saugiai naudoti ir prižiūrėti presą. Ši instrukcija yra skirta preso pardavėjams ir naudotojams.

Pratarmė

Skaitydami skyrių **'Įrenginio aprašymas'**, susipažinsite su įrenginio schema ir jo valdymo principais.

Skyriuose **'Bendros saugumo priemonės'** ir **'Sveikata ir saugumas'** aiškinama, kaip saugiai naudotis įrenginiu ir apsaugoti aplinkinius.

Skyriuje **'Naudojimo instrukcijos'** pateikti patarimai, kaip tinkamai naudoti įrenginį.

Skyriuje **'Techninė priežiūra'** aptariami bendri techninės priežiūros ir remonto darbai.

Skyriuje **'Garantija'** pateikta informacija apie garantijos taikymo sąlygas ir pretenzijų pateikimo procedūrą.

Skyriuje **'Atitikties deklaracija'** nurodyti standartai, kuriais remiantis buvo pagamintas įrenginys.

Ženkinimo direktyvos

Šioje instrukcijoje surašyta informacija, į kurią reikia atkreipti ypatingą dėmesį, pateikta kaip pastabos atitinkamai jas paženkinant:



ATSARGIAI

Produktas gali būti pavojingas. Neteisingai atlikdami veiksmus, galite sugadinti įrenginį arba patys susižaloti.



ISPĖJIMAS

Operatoriaus gyvybei gresia pavojus.

Įspėjimas



ISPĖJIMAS

*Prieš pradėdami naudoti ar remontuoti šį įrenginį, **ĮDĖMAI PERSKAITYKITE** šią naudojimo instrukciją.*

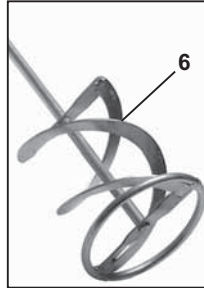
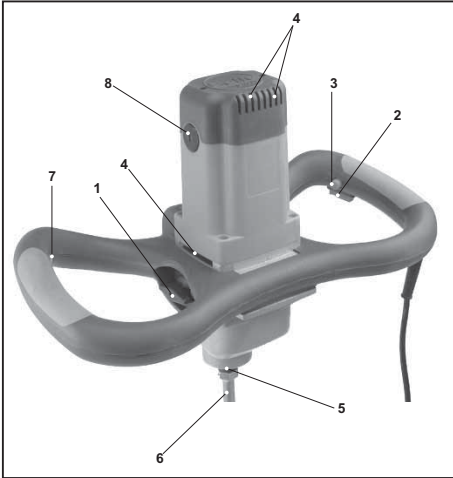
ĮSIDĖMĖKITE visas saugaus įrenginio valdymo taisykles ir nepamirškite, ką privalote daryti, kad užtikrintumėte saugų remontą.

(Gerai įsidėmėkite: prieš įjungdami įrenginį, pasitikrinkite, ar žinote, kaip reikia jį išjungti, jei kiltų problemų.)

VISUOMET naudokite tinkamas asmenines apsaugos priemones. **JEI TURITE KLAUSIMŲ** dėl šio produkto saugaus naudojimo ar remonto, KREIPKITĖS Į SAVO KONSULTANTŲ ARBA SUSISIEKITE SU ALTRAD BELLE.

Turinys

Kaip naudotis šia instrukcija	66
Įspėjimai	66
Įrenginio aprašymas	67
Techniniai duomenys	67
Saugumo instrukcijos	67
Sveikata ir saugumas	68
Patikrinimas prieš darbą	68
Naudojimo instrukcijos	68
Aplinka	68
Laikymo sąlygos	69
Techninė priežiūra	69
Garantija	69
Atitikties deklaracija	4



1. Pavary perjungiklis
2. Jungiklis
3. Jungiklio stabdiklis
4. Ventiliacijos angos
5. Velenas su M 14 vidiniu sriegiu
6. Maišymo mentė
7. Kintamo greičio skalė
8. Valiklio laikikliai

Techniniai duomenys

Modelis	1200E	1600E
Bendras įrenginio svoris (kg)	7.0	7.8
Įrenginio svoris - be mentės (kg)	5.5	6.2
Įrenginio aukštis * (mm)	865	865
Galia (W)	1200	1600
Įrenginio matmenys	M14 x 2	M14 x 2
Maksimalus mentės skersmuo (mm)	120	160
Triukšmo lygis (dB(A))	102	98
Mišinio tūris (l)	113	227
Atitinkamos medžiagos	Gipsas Cementas/Kalkės Plytelių rišamoji medžiaga Tinkas	Gipsas Cementas/Kalkės Plytelių rišamoji medžiaga Tinkas

Bendros saugumo priemonės

Jūsų ir aplinkinių saugumo sumetimais prašome įdėmiai perskaityti šias saugumo taisykles. Dirbantis su įrenginiu asmuo turi patvirtinti, kad jis suprato ir įsidėmėjo darbo saugos nurodymus. Jei jūs abejojate, ar saugiai ir tinkamai naudojote įrenginį, kreipkitės į skyriaus vadovą arba Altrad Belle.



ATSARGIAI

Netinkamai naudojant įrenginį, gali iškilti pavojus. Prieš naudodamiesi įrenginiu ir prieš atlikdami priežiūros ir remonto darbus, įdėmiai perskaitykite šią informaciją.

- Aptverkite darbo vietą, neleiskite, kad į ją patektų pašaliniai asmenys.
- Naudojantis įrenginiu, būtina dėvėti tinkamas AAP (asmenines apsaugos priemones) (žr. 'Sveikata ir saugumas').
- Prieš įjungdami (nustatydami į ON padėtį) šį įrenginį, pasitikrinkite, ar žinote, kaip jį saugiai išjungti (nustatyti į OFF padėtį).
- Prieš transportuodami, perkeldami arba remontuodami įrenginį, visuomet išjunkite variklį (nustatykite į OFF padėtį).
- Nenuimkite apsauginių detalių – jos skirtos jūsų apsaugai. Visuomet patikrinkite apsauginių dalių būklę ir saugumą. Jei apsauginės dalys pažeistos arba jų nėra, nenaudokite *Promix* maišytuvo, kol jos nebus suremontuotos arba pakeistos.
- Nenaudokite įrenginio, jei sergate, esate pavargę, išgėrę alkoholio arba vartojote narkotikų.
- Įsitikinkite, ar įrenginys pastatytas ant tvirto ir lygaus pagrindo.
- Maišymo proceso metu nelieskite maišytuvo rankomis.



Sveikata ir saugumas

Vibracija

Dalis vibracijos, veikiant įrenginiui, persiduoda nuo rankenos į operatoriaus rankas.

AAP (asmeninės apsaugos priemonės)

Naudojantis įrenginiu, būtina dėvėti tinkamas AAP, t. y. apsauginius akinius, pirštines, ausines, kaukes nuo dulkių bei apsauginę avalynę su pirštų apsauga.

Dėvėkite darbo pobūdį atitinkančius rūbus. Suriškite ilgus plaukus ir nusiimkite visus papuošalus, kuriuos gali įtraukti judančios įrenginio dalys.

Elektriniai įrenginiai

Elektros srovė kelia pavojų gyvybei! Prieš atlikdami techninės priežiūros/remonto operacijas, įsitikinkite, ar įrenginys yra išjungtas iš elektros tinklo. Nenaudokite įrenginio drėgnomis sąlygomis.



Patikrinimas prieš darbą

Patikrinimas prieš paleidžiant įrenginį

Šis patikrinimas turi būti atliekamas kiekvieną kartą prieš pradėdam darbą arba po to, kai įrenginys buvo naudojamas keturias valandas. Išsamesnės informacijos ieškokite skyriuje "Techninė priežiūra". Nustačius defektus, maišytuvus negali būti naudojamas, kol defektai nebus pašalinti.

1. Kruopščiai patikrinkite, ar ant *Megamix* maišytuvo namtyti pažeidimų. Patikrinkite, ar yra visi komponentai, ar jie saugūs naudoti. Ypač rūpestingai apžiūrėkite maišymo mentę ir patikrinkite, ar ji yra tinkamai pritvirtinta prie rankenos.
2. Patikrinkite, ar nepažeisti elektros kabeliai. Prieš dirbdami su įrenginiu, pašalinkite visus defektus.



Naudojimo instrukcijos



ISPĖJIMAS

*Prieš pradėdami naudoti ar remontuoti šį įrenginį, **IDĖMIAI PERSKAITYKITE** šią naudojimo instrukciją.*

Dirbdami su įrenginiu, rankeną laikykite abiem rankomis.

Pradėdami maišymo procesą, spustelėkite ir užlaikykite jungiklį (2).

Jungikliui (2) esant ON (įjungimo) padėtyje, spustelėkite jungiklio stabdiklio mygtuką (3). Stabdiklis u, fiksuos jungiklį (2) ON (įjungimo) padėtyje.

Norėdami sustabdyti įrenginį, spustelėkite ir atleiskite jungiklį (2).

Įrenginys turi 2 pakopų pavarų dėžes. Pirmoji pavana leidžia dirbti lėtu tempu, antroji – greitai. Norėdami perjungti bėgius, 180° kampu pasukite pavarų keitimo jungiklį (1). Be to, naudodami kintamojo greičio skalę (7), taip pat galėsite keisti įrenginio greitį.

Visuomet prieš įkeldami maišymo mentę į maišomą medžiagą (prieš išimdami ją), sumažinkite greitį. Panirus maišymo mentei (6) į maišomą medžiagą, padidinkite greitį.

Maišymo proceso metu neskubėdami sukite įrenginį maišymo konteineryje. Darbą tęskite tol, kol medžiaga bus išmaišyta.

Baigę maišymo procesą, išvalykite maišymo mentę (6).

Pastaba: skliaustuose įrašyti skaičiai nurodo paveikslėlius, pateiktus vadovo skyriuje "Įrenginio aprašymas".



Aplinka



Saugus perdirbimas.

Instrukcijos dėl aplinkosaugos.

Mašinoje yra vertingų medžiagų. Nereikalingą įrenginį ir jo priedus nuvežkite į atitinkamas atliekų perdirbimo tarnybas.



Mašina turi būti laikoma sausoje, nuo didelių temperatūros svyravimų apsaugotoje vietoje.

Techninė priežiūra

Pastaba: pasirūpinkite, kad techninės priežiūros operacijas atliktų kvalifikuotas elektrikas.

Altrad Belle Promix maišytuvas yra pritaikytas ilgalaikiai eksploatacijai. Nepaisant to, labai svarbu, kad būtų atliekamos šiame skyriuje aprašytos techninės priežiūros operacijos. Rekomenduotina, kad visus pagrindinius techninės priežiūros ir remonto darbus atliktų Altrad Belle patvirtintas tarpininkas. Visuomet naudokite Belle grupės atsargines dalis - naudojant falsifikuotas dalis, netaikoma garantija. Prieš atlikdami mašinos remonto darbus, išjunkite variklį.

Einamoji techninė apžiūra		Maždaug kas 100 valandų	Maždaug kas 200 valandų
Patikrinkite motoro valiklius	Patikrinkite	✓	
	Pakeiskite jei būtina		
Gearbox Case	Patikrinkite / Pakeiskite		✓

Įrenginys turi anglinius automatiškai išsijungiančius motoro valiklius. Kai valikliai nusidėvi iki tam tikro lygio, įrenginys išsijungia automatiškai. Apie valiklių keitimą skaitykite žemiau pateiktoje instrukcijoje.

Anglinių motoro valiklių keitimas

1. Naudodami atsuktuvą, atsukite du ant motoro gaubto pritvirtintus valiklio laikiklius (8).
2. Išimkite susidėvėjusius valiklius ir pakeiskite juos naujais.
3. Priveržkite abu valiklio laikiklius (8) ir įsitikinkite, ar jie saugiai pritvirtinti.

Taip pat išvalykite ventiliacijos angas (4) ir įsitikinkite, ar įrenginys yra tinkamai aušinamas.



Как да използваме това ръководство

Това е ръководство за безопасна експлоатация и сервис на Promix.
Ръководството е предназначено за търговците и операторите на Promix.

Предговор

В раздела **'Описание на машината'** са изброени основните части и контролни елементи на машината.

Разделите **'Обща безопасност'** и **'Безопасни и здравословни условия на труд'** дават инструкции за безопасна експлоатация на машината.

Разделът **'Инструкции за експлоатация'** описва как машината се регулира и използва.

В **'Техническо обслужване'** са описани основните принципи на сервис и поддръжка на машината.

В **'Гаранция'** е описано покритието на гаранцията и начина за подаване на рекламация.

Разделът **'Декларация за съответствие'** описва стандартите, по които е конструирана машината.

Знаци за внимание

Текст, на който трябва да се обърне специално внимание е отбелязан със съответен знак:



ВНИМАНИЕ

Продуктът е изложен на риск. Има вероятност машината или вие да бъдете/те/ повредени/наранени/, ако не се спазва стриктно ръководството



Предупреждение

Животът на оператора на машината е изложен на риск.



Предупреждение



Предупреждение

Преди да започнете експлоатация и обслужване на тази машина **ТРЯБВА ДА ПРОЧЕТЕТЕ и РАЗУЧИТЕ** това ръководство

НАУЧЕТЕ да използвате правилно контролните уреди на машината и правилата за безопасно техническо обслужване.

(Забележка: Научете се първо да изключвате машината, преди да я включите, в случай че възникне някакъв проблем.)

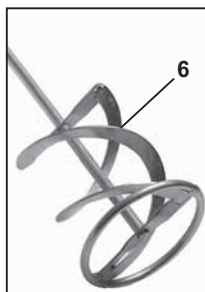
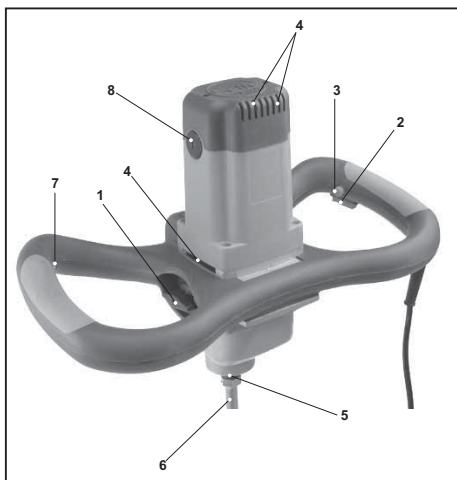
ВИНАГИ носете или използвайте подходяща екипировка и средства за лична защита и безопасност.

ВЪПРОСИ за безопасната експлоатация или техническо обслужване на този уред, можете да отправяте към своя ИНЖЕНЕР ПО ТЕХНИКАТА НА БЕЗОПАСНОСТ ИЛИ се свържете с **ALTRAD BELLE**



Съдържание

Как да използваме това ръководство.....	70
Предупреждение	70
Описание на машината	71
Технически данни	71
Обща безопасност	71
Безопасни и здравословни условия на труд	72
Предпускова контролна проверка	72
Експлоатация	72
Околна среда	72
Складиране	73
Техническо обслужване	73
Гаранция	73
Декларация за съответствие	4



1. Ключ за смяна на предавката
2. Пусков ключ.
3. Осигурител на пусково у-во.
4. Вентилационни отвори.
5. Вал с вътрешна резба M14.
6. Миксираща бъркалка.
7. Ключ за контрол на скоростта.
8. Четкови държачи.

Технически данни

Модел	1200E	1600E
Общо тегло на машината (кг)	7.0	7.8
Тегло без миксиращата бъркалка (кг)	5.5	6.2
Височина на машината* (мм)	865	865
Мощност (w)	1200	1600
Размер на инструмент	M14 x 2	M14 x 2
Максимален диаметър на миксиращата бъркалка (мм)	120	160
Шумово ниво (dB(A))	102	98
Обем, който може да се бърка	113	227
Подходящи материали	Гипс Цимент / хоросан Лепило за плочки Мазилка	Гипс Цимент / хоросан Лепило за плочки Мазилка

Обща безопасност

За ваша собствена защита и за безопасността на тези около вас, моля прочете и се уверете, че разбирате напълно информацията по-долу. Операторът на машината трябва да е сигурен, че може да работи с машината по безопасен начин. Ако не сте сигурни за безопасната и правилна експлоатация на PROMIX, моля, обърнете се към вашия инженер по техниката на безопасност или към групата дружества на Altrad Belle.



ВНИМАНИЕ

Неправилното техническо обслужване може да бъде опасно. Прочетете и разучете този раздел преди да извършите техническо обслужване, сервиз или поправка на машината.

- Заградете работната площадка, за да не преминават хора и неоторизиран персонал.
- Носете лична защитна екипировка при употреба на тази машина (виж Безопасни и здравословни условия на труд).
- Научете се първо да изключвате машината, преди да я включите, в случай че възникне някакъв проблем.
- Винаги изключвайте мотора преди да местите машината или да извършите сервиз.
- Не махайте поставените защитни елементи, те са за вашата безопасност.
- Винаги проверявайте състоянието и сигурността на защитните елементи и дали някои от тях не липсват или не са повредени. Не ползвайте PROMIX докато не замените и поправите защитните елементи.
- Не работете с машината ако сте болни, изморени или под влияние на алкохол или наркотици.
- Съдът, в който разбърквате трябва да е поставен на равна повърхност.
- Внимавайте при разбъркването части на тялото ви да не влизат в съда, в който бъркате.



Безопасни и здравословни условия на труд

Вибрация

Частична вибрация от работещата машина може да се пренесе чрез дръжката до ръцете на оператора.

Лична защитна екипировка

При работа с машината носете лична защитна екипировка: защитни очила, ръкавици, тапи за уши, защитна маска и обувки със стоманено покритие на пръстите. Вържете назад дългата коса и махнете всички бижута, които биха могли да се закачат на движещите се части на машината.

Електрически машини

Електричеството може да причини смърт!!! Винаги проверявайте дали машината е изключена от ел. мрежа преди да извършите техническо обслужване/сервиз. Не използвайте машината в мокра или влажна среда.



Предпускова контролна проверка

Предпусков контрол

Преди да започнете работа или на всеки четири часа експлоатация трябва да извършите следния предпусков контрол. За по-подробна информация се обърнете към раздела за сервизно обслужване. В случай на повреда не работете с PROMIX преди да я отстраните.

1. Внимателно огледайте PROMIX за признаци на повреда. Проверете дали всички части са на мястото си. Обърнете специално внимание на миксиращата бъркалка и проверете дали е правилно захваната за дръжката.
2. Проверете електрическите кабели за оголени жици и ако има такива ги поправете преди да започнете работа.



Експлоатация



Предупреждение

Преди да започнете експлоатация и обслужване на тази машина **ТРЯБВА ДА ПРОЧЕТЕТЕ и РАЗУЧИТЕ** това ръководство

По време на работа поставете и двете си ръце на дръжката. Натиснете и задръжте пусковия ключ (2), за да започнете процеса на бъркане.

Когато пусковия ключ е на позиция 'ВКЛЮЧЕНО' /ON/, го заключете с осигурителя (3). Така ключа няма да може да се самоизключи и няма да е необходимо да го държите постоянно.

За да спрете машината, натиснете и освободете пусковия ключ (2).

Машините с дву-скоростни предавателни кутии могат да работят на две скорости. Първата е бавна, а втората – бърза. За да смените скоростта, завъртете ключа за смяна на предавката (1) на 180°. Машината е снабдена и с ключ за контрол на скоростта (7), с който да преминавате от скорост на скорост.

Когато пускате и водите миксиращата бъркалка, винаги намалявайте скоростта. След като миксиращата бъркалка (6) е извадена от сместа, отново увеличете скоростта, за да охладите мотора.

По време на разбъркването бавно движете бъркалката кръгообразно в съда, докато сместа се разбърка докрай.

След като приключите с бъркането, почистете миксиращата бъркалка (6), за да не се натрупва мръсотия и материал.

ЗАБЕЛЕЖКА: цифрите в скоби се отнасят за фигурата в раздел 'Описание на машината'



Околна среда



Рециклиране

Инструкции за опазване на околната среда.

Някои от частите на машината са от ценни материали. Разглобените части и аксесоари се рециклират.



Машината се складира на сухо място и не се излага на прекалено високи или ниски температури.

Техническо обслужване

Забележка: Техническото обслужване се извършва само от квалифициран електротехник.

Promix на Altrad Belle е проектиран да осигури многогодишна безпроблемна експлоатация. Въпреки това е важно редовно да се провежда описаното в настоящия раздел лесно техническо обслужване. Препоръчва се основното обслужване и поправка да се извършват от оторизирани дилъри на Altrad Belle. Винаги използвайте оригинални резервни части на Altrad Belle тъй като употребата на неоригинални части може да анулира гаранцията. Преди да направите техническо обслужване на машината, изгасете двигателя и откачете присъединителния край за високо напрежение от запалителната свещ.

Редовно техническо обслужване		На около 100 часа	На около 200 часа
Четки на мотора	Проверете	✓	
	Ако е необходимо – сменете		
Смазка по предавателната кутия	Проверете / нанесете		✓

Машината е снабдена със само-задвижващи се графитни четки. Това означава, че машината автоматично се изключва, ако четките се износят. Вижте инструкциите по-долу за тяхната подмяна.

Смяна на графитните четки

1. С отверка отвийте двата четкови държача (8) от двете страни на корпуса на мотора.
2. Махнете износените четки и поставете нови.
3. Завийте обратно четковите държачи (8) като внимавате четките да са добре поставени на място.

Пазете вентилационните отвори (4) чисти, за да може машината да се охлажда.

Tento návod k obsluze byl napsán, aby vám pomohl s bezpečnou obsluhou a údržbou ručního míchadla Promix (dále jen zařízení). Tento návod k obsluze je určen prodejcům a uživatelům zařízení.

Předmluva

Kapitola **“Popis zařízení”** vám bude nápomocna při seznámení se s konstrukcí zařízení a jeho ovládacími prvky.

Kapitoly **“Obecné bezpečnostní pokyny”** a **“Zdraví a bezpečnost”** vysvětlují jak používat zařízení tak, aby byla zajištěna vaše vlastní bezpečnost a bezpečnost vašeho okolí.

Kapitola **“Pokyny k obsluze”** vysvětluje jak správně používat zařízení.

Kapitola **“Servis a údržba”** Vám bude nápomocna při celkové údržbě a opravách zařízení.

Kapitola **“Záruka”** popisuje záruční podmínky a reklamační řád.

Kapitola **“Prohlášení o shodě”** poukazuje na standardy, kterým zařízení vyhovuje.

Symbolika důležitých příkazů

Texty uvedené v tomto návodu k obsluze, které vyžadují zvláštní pozornost jsou zvýrazněny následujícím způsobem:



VAROVÁNÍ

Zařízení může být nebezpečné! V případě, že nejsou níže uvedené postupy správně dodržovány může dojít k poškození zařízení nebo zranění obsluhy!



VÝSTRAHA

Život obsluhy je v nebezpečí!

Výstraha



VÝSTRAHA

*Tento návod k obsluze **MUSÍTE PŘEČÍST A NASTUDOVAT** vždy předtím než začnete zařízení používat, nebo na něm provádět údržbu a opravy.*

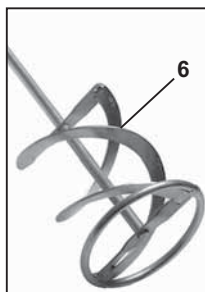
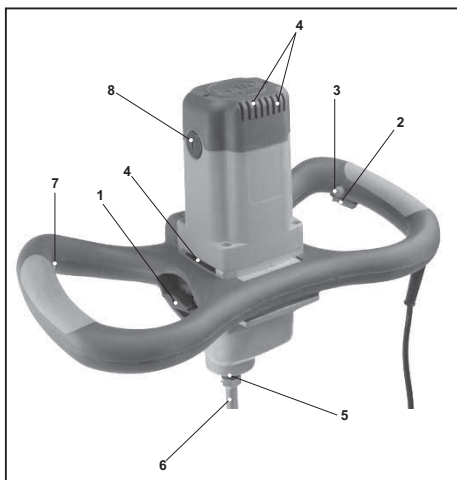
Vždy mějte na paměti, jak bezpečně používat ovládací prvky zařízení a co všechno musíte udělat pro bezpečné provozování zařízení. (Dále zdůrazňujeme, aby jste si vždy předtím než zařízení uvedete do provozu uvědomili, zda-li víte jak jej vypnout v případě, že se dostanete do problému).

Vždy řádně používejte doporučené a schválené ochranné pomůcky určené pro osobní ochranu při práci.

Pokud máte jakékoliv otázky týkající se bezpečného používání či bezpečné údržby tohoto zařízení zeptejte se svého nadřízeného (popř. dohlážitela) nebo kontaktujte výrobce: Altrad Belle: +44 (0) 1298 84606

Obsah

Jak používat tento návod k obsluze.....	74
Varování	74
Popis zařízení.....	75
Technická data	75
Obecné bezpečnostní pokyny	75
Zdraví a bezpečnost.....	76
Kontrola před startem.....	76
Pokyny k obsluze	76
Ochrana životního prostředí.....	76
Skladování.....	77
Servis a údržba	77
Záruka	77
Poznámky.....	4



1. přepínač rychlostních stupňů
2. vypínač motoru
3. zámek vypínače motoru
4. ventilační otvory
5. hřídel se závitem M14
6. míchací metla
7. regulátor otáček
8. držáky kartáčků

Technická data

Model	1200E	1600E
Celková hmotnost zařízení (kg)	7.0	7.8
Hmotnost zařízení bez míchací metly (kg)	5.5	6.2
Výška zařízení * (mm)	865	865
Výkon (W)	1200	1600
Závít pro uchycení míchací metly	M14 x 2	M14 x 2
Max. průměr míchací metly (mm)	120	160
Hladina hluku (dB(A))	102	98
Míchaný objem (l)	113	227
Míchaný materiál (doporučený)	Sádrová Malta Cementová Malta Malta Lepidla na Kachličky	Sádrová Malta Cementová Malta Malta Lepidla na Kachličky

Obecné bezpečnostní pokyny

Pro vaši vlastní bezpečnost a pro bezpečnost vašeho okolí, prosím čtěte pečlivě následující bezpečnostní pokyny a ujistěte se, že jim rozumíte a že jste je plně pochopili. Obsluha tohoto zařízení plně odpovídá za to, že pochopila a rozumí tomu jak bezpečně obsluhovat toto zařízení. Pokud si nejste jisti, jak správně a bezpečně obsluhovat toto zařízení kontaktujte svého nadřízeného (dohlázeatele) nebo výrobce Altrad Belle.



VÝSTRAHA

Nevhodné použití zařízení může být nebezpečné! Přečtěte si tuto kapitulu před použitím, údržbou nebo opravou zařízení!

- Pracovní oblast uzavřete kordonem a zamezte veřejnosti nebo nepovolaným osobám vstup na pracoviště.
- Obsluha musí při práci s tímto zařízením používat osobní ochranné pomůcky – viz kapitola "Zdraví a bezpečnost"
- Uvědomte si, dříve než zařízení zapnete, že jej dokážete v případě nečekané potřeby vypnout.
- Motor zařízení vždy vypněte ještě předtím než začnete zařízení přemísťovat, převážet nebo opravovat.
- Nikdy nemanipulujte a neodnímejte ochranné kryty zařízení, tyto kryty slouží pro vaši ochranu. Pravidelně kontrolujte stav ochranných krytů a jejich bezpečnost. Nikdy nepoužívejte zařízení dokud nejsou poškozené nebo chybějící ochranné kryty opraveny nebo vyměněny za nové.
- Nikdy nepoužívejte zařízení pokud se cítíte unaveni, pokud jste nemocni, nebo pokud jste pod vlivem alkoholu nebo drog.
- Zajistěte, že nádoba s míchaným obsahem je postavena na rovném a pevném povrchu.
- Při procesu míchání nezasahujte do prostoru míchací metly žádnými částmi těla nebo jinými předměty.



Zdraví a bezpečnost

Vibrace

Některé vibrace vznikající při provozu zařízení jsou přenášeny přes rukojeť na paže obsluhy.

Osobní ochranné pomůcky (dále jen OOP)

Při obsluze zařízení musí být vždy použity patřičné a schválené OOP, jako jsou ochranné brýle, rukavice, ochranné klapky na uši, protiprachová maska a vhodná a schválená ochranná obuv. Používejte vhodný pracovní oděv. Dlouhé vlasy je nutné vhodně chránit pod čepici nebo stáhnout do copu. Obsluha zařízení nesmí nosit na těle při práci se zařízením šperky, náramky a jiné ozdobné módní prvky, aby se nedostaly do pohyblivých částí zařízení.

Elektrická zařízení

Elektrina může způsobit smrt! Před jakýmkoliv údržbovým zásahem, opravou či servisem nejdříve zařízením odpojte od zdroje elektrického proudu. Nikdy nepoužívejte zařízení ve vlhkém prostředí.



Kontrola před startem

Prohlídka před startem

Níže uvedená kontrolní prohlídka musí být provedena vždy před každým startem zařízení nebo vždy po každých čtyřech hodinách provozu zařízení, podle toho co nastane dřív. Pro bližší informace nahlédněte do servisní části tohoto návodu. V případě jakékoliv závady musí být zařízení odstaveno do doby než dojde k odstranění závady.

1. důkladně zařízením prohledněte na známky zjevného poškození. Zkontrolujte, zda jsou jednotlivé součásti bezpečně upevněny na svých místech. Zvýšenou pozornost věnujte míchací metle, zkontrolujte zda je správně nasazena a upevněna.
2. zkontrolujte elektrické kabely na známky poškození (obnažená vlákna apod.), v případě závady nechte kabely opravit či vyměnit.



Pokyny k obsluze



VÝSTRAHA

*Tento návod k obsluze **MUSÍTE PŘEČÍST A NASTUDOVAT** vždy předtím než začnete zařízení používat, nebo na něm provádět údržbu a opravy.*

Zařízení ovládejte vždy oběma rukama pevně uchopenýma za ovládací rukojeť.

Zařízení uvedete do provozu zmáčknutím a přidržením vypínače motoru (2).

Je-li vypínač motoru (2) zmáčknutý je možno zatlačit pojistný zámek (3), který zajistí vypínač (2) v poloze zapnuto.

Zařízení zastavíte zmáčknutím vypínače motoru (2) a jeho uvolněním.

Zařízení je vybaveno dvourychlostní převodovkou. První rychlostní stupeň poskytuje pomalou rychlost, druhý rychlostní stupeň vysokou rychlost otáčení míchací metly. Rychlostní stupně přepnete z jednoho na druhý otočením přepínače (1) vždy o 180°. Zařízení je dále vybaveno plynulým regulátorem otáček (7), který umožňuje citlivější nastavení rychlosti pro každý z obou rychlostních stupňů

Před vkládáním a vytažováním míchací metly do a z míchaného materiálu vždy snižte hodnotu otáček metly. Jakmile je metla (6) vytažena a zbavena nánosů míchaného materiálu zvýšte opět otáčky pro zajištění chlazení motoru.

Během procesu míchání pomalu pohybujte zařízením okolo míchací nádoby. Pokračujte tak dlouho dokud není celý obsah nádoby promíchán.

Jakmile dokončíte míchání očistěte metlu (6) od zbytků míchaného materiálu.

Poznámka: Čísla uvedená v závorkách odkazují na obrázek, který je uveden v kapitole "Popis zařízení" v tomto návodu k obsluze.



Ochrana životního prostředí



Bezpečné nakládání s odpady

Pokyny pro ochranu životního prostředí

Zařízení je složeno z různých druhů materiálů.

Vyřazené zařízení a jeho části odevzdejte na příslušná místa k recyklaci!



Skladování



Zařízení by mělo být uskladněno v suchém prostředí, tam kde nebude vystaveno extrémním teplotám.

Servis a údržba



Poznámka: zajistěte, že veškeré opravy a servisní zásahy provede kvalifikovaný elektrikář.

Ruční míchadlo Promix Altrad Belle je navrženo s cílem sloužit bez problému řadu let. Nicméně i přesto je důležité dodržovat jednoduchou pravidelnou údržbu popsanou v této kapitole. Doporučuje se, aby veškeré hlavní opravy a údržbu prováděl autorizovaný prodejce Altrad Belle. Vždy používejte originální náhradní díly Altrad Belle, neboť v případě použití neoriginálních dílů můžete přijít o záruku na zařízení. Před každým údržbovým zásahem, opravou či servisem zařízení nejdříve odpojte od elektrické sítě.

Pravidelná údržba		Přibližně po 100 hod.	Přibližně po 200 hod.
Stírací kartáčky (uhlíky) motoru	Kontrola	✓	
	Výměna dle potřeby		
Mazivo v převodové skříní	Kontrola / výměna		✓

Motor zařízení je vybaven autodeaktivačními uhlíkovými kartáčky. To znamená, že zařízení se samo vypne v případě, že se uhlíky opotřebují na určitou minimální hodnotu. Výměna uhlíku viz text níže.

Výměna uhlíkových kartáčků motoru

1. pomocí plochého šroubováku odšroubujte oba držáky kartáčků (8), které se nachází po obou stranách krytu motoru
2. vytáhněte staré opotřebované kartáčky a nahraďte je novými
3. našroubujte zpět držáky kartáčků (8) a překontrolujte, že jsou řádně dotaženy

Udržujte v čistotě ventilační otvory (4) tak, aby bylo zajištěno řádné chlazení motoru zařízení.



Cum să utilizați acest manual

Acest manual a fost scris pentru a vă ajuta să utilizați și să întrețineți malaxorul the Promix în siguranță. Acest manual este destinat dealerilor și operatorilor malaxorului Promix.

Cuvânt înainte

Secțiunea **'Descrierea mașinii'** vă ajută să vă familiarizați cu aspectul malaxorului și disponerea elementelor de control.

Secțiunea **'Instrucțiuni privind siguranța'** și **'Sănătate și siguranță'** vă explică cum trebuie să utilizați utilajul în condiții de siguranță pt. dumneavoastră și pt. personalul auxiliar.

Secțiunea **'Instrucțiuni de operare'** vă explică cum trebuie să utilizați utilajul într-un mod corect.

Secțiunea **'Întreținere'** vă ajută cu operațiunile de întreținere generale și cu operațiunile de servisare generale.

Secțiunea **'Garanție'** detaliază elementele acoperite de garanție și cum trebuie realizate cererile de acordare ale garanției.

Secțiunea **'Declarație de conformitate'** arată standardele la care a fost construit și proiectat acest utilaj.

Instrucțiuni cu privire la notații.

Textul din acest manual căruia trebuie să-i acordăm atenție maximă este prezenta în următoarele moduri:



ATENȚIE

Produsul poate fi în pericol. Mașina poate fi defectată și utilizatorul poate fi rănit, dacă procedurile nu sunt realizate într-un mod corect.



AVERTISMENT

Viața operatorului poate fi în pericol.



AVERTISMENT



AVERTISMENT

*Înainte de a realiza operațiun de întreținere asupra acestui utilaj **TREBUIE SĂ CITIȚI ȘI SĂ STUDIAȚI** acest manual.*

ÎNȚELEGEȚI cum trebuie să utilizați elementele de control ale malaxorului și cum trebuie să realizați operațiunile de întreținere în siguranță. (Trebuie să fiți sigur că știți cum să opriți utilajul înainte de a-l porni, în caz că întâmpinați dificultăți în utilizarea acestuia.)

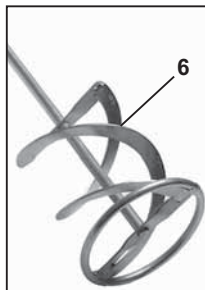
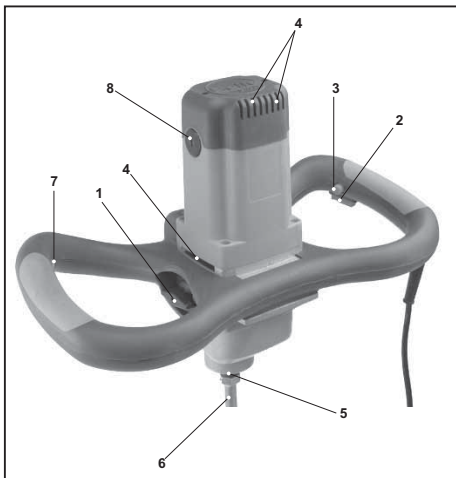
PURTAȚI ÎNTOTDEAUNA echipament de protecție și elementele de siguranță necesare pentru protecția dumneavoastră.

Dacă aveți **ÎNTREBĂRI** în legătură cu utilizarea în condiții de siguranță al acestui utilaj, **ÎNTREBAȚI-VĂ SUPERIORUL SAU CONTACT AȚI** Altrad Belle.



Cuprins

Cum să utilizați acest manual	78
ATENȚIE.....	78
Descrierea utilajului	79
Date tehnice	79
Instrucțiuni privind siguranța.....	79
Sănătate și siguranță.....	80
Verificările pre-pornire	80
Instrucțiuni de operare.....	80
Protecția mediului.....	80
Depozitare	81
Întreținere	81
Garanție.....	81
Declarație de conformitate	5



1. Întrerupător pt. schimbarea vitezelor
2. Trăgaci
3. Buton pt. blocarea tragiaciului
4. Găuri pentru ventilare
5. Ax cu filet feminin M14
6. Paletă pt. mixare
7. Control variabil al turației
8. Șuruburi port-perii

Date tehnice

Model	1200E	1600E
Greutate totală a utilajului (kg)	7.0	7.8
Greutatea mașinii – Fără paletă (kg)	5.5	6.2
Înălțimea malaxorului * (mm)	865	865
Putere (W)	1200	1600
Dimensiunea sculei	M14 x 2	M14 x 2
Diametrul maxim al paletelor (mm)	120	160
Nivel zgomot (dB(A))	102	98
Volumul amestecului (Litri)	113	227
Materiale potrivite	Ghips Ciment / Mortar Adeziv pt. faianță Tencuială	Ghips Ciment / Mortar Adeziv pt. faianță Tencuială

Instrucțiuni privind siguranța

Pentru protecția personală și pentru siguranța celor din jur, vă rugăm citiți și asigurați-vă că ați înțeles pe deplin următoarele instrucțiuni privind siguranța. Este responsabilitatea operatorului să se asigure că a înțeles corect cum trebuie să utilizeze acest echipament în condiții de siguranță. Dacă nu sunteți sigur cum trebuie să utilizați malaxorul Promix, consultați-vă cu superiorul dumneavoastră direct sau cu Altrad Belle.



AVERTISMENT

Întreținerea necorespunzătoare poate fi periculoasă. Citiți și înțelegeți aceste instrucțiuni înainte de a realiza operațiuni de întreținere, service sau reparații.

- Înconjurați zona de lucru cu benzi avertizoare și țineți membrii publicului și personalul neautorizat la distanță.
- Operatorul trebuie să poarte echipament personal de protecție (PPE) atunci când utilizează acest echipament (vezi secțiunea Sănătate & Siguranță).
- Asigurați-vă că știți cum să opriți echipamentul înainte de a-l porni, în cazul în care întâmpinați dificultăți în utilizarea acestuia.
- Opriți întotdeauna acest echipament înainte de a-l transporta, deplasa în diferite locații pe șantier sau înainte de realizarea de operațiuni de service și întreținere
- Nu îndepărtați și nu lucrați la elementele de protecție cu care este dotat echipamentul, ele sunt pt. protecția dumneavoastră. Verificați întotdeauna starea elementelor de protecție, dacă sunt defecte sau lipsesc NU UTILIZAȚI PROMIX, până când aceste elemente de protecție nu sunt reparate sau înlocuite.
- Nu utilizați echipamentul dacă sunteți bolnav, vă simțiți obosit, sau sunteți sub influența alcoolului sau drogurilor.
- Asigurați-vă că vasul în care se face mixarea este situat pe o suprafață dreaptă și fermă.
- Nu plasați părți din acest utilaj sau alte scule în containerul în care se realizează mixarea în timpul procesului de mixare.



Sănătate și siguranță

Vibrațiile.

O anumită cantitate de vibrații produse de operațiunea de mixare este transmisă prin mânerul malaxorului în mâinile operatorului.

PPE (Echipament personal de protecție).

În timpul utilizării acestui echipament trebuie utilizat echipament personal de protecție (PPE) de exemplu: ochelari de protecție, mănuși, apărătoare pentru urechi, și încălțăminte cu bombeul din oțel. Purtați îmbrăcăminte potrivită cu operațiunea pe care o realizați. Legați părul lung în coadă și îndepărtați bijuteriile ce pot fi prinse de elementele în mișcare ale echipamentului.

Utilajele electrice.

Electricitatea poate ucide! Asigurați-vă întotdeauna că echipamentul nu este sub tensiune înainte de realizarea de operațiuni de întreținere/reparații. Nu utilizați utilajul în condiții de umiditate crescută.



Verificările pre-pornire

Verificările pre-pornire.

Următoarele verificări pre-pornire trebuie realizate înainte de începerea fiecărei sesiuni de lucru sau la fiecare patru ore de utilizare al acestui echipament, în funcție de caz. Consultați secțiunea service pentru ghidare detaliată. Dacă este descoperită o defecțiune, Promix nu trebuie utilizat până când defecțiunea nu este rectificată.

1. Verificați complet malaxorul Promix pentru descoperirea eventualelor defecte. Verificați prezența componentelor și felul în care sunt montate acestea. Acordați atenție specială paletelor pentru mixare, și asigurați-vă că sunt corect atașate de mâner.
2. Verificați cablurile electrice pentru a descoperi eventuale zone dezizolate. Reparați zonele afectate înainte de începerea utilizării echipamentului.



Operating Instructions



AVERTISMENT

*Înainte de a realiza operațiun de întreținere asupra acestui utilaj **TREBUIE SĂ CITIȚI ȘI SĂ STUDIAȚI** acest manual.*

Utilizați întotdeauna echipamentul cu ambele mâini pe mâner.

Apăsăți și țineți trăgaciul (2) pentru începerea procesului de mixare.

Odată ce trăgaciul (2) este în poziția 'ON', împingeți butonul de blocare (3). Această operațiune va menține trăgaciul (2) în poziția 'ON' fără să vă utilizați mâna.

Pentru a opri utilajul, apăsați și eliberați trăgaciul (2).

Echipamentele dotate cu cutii de viteză pentru 2 viteze pot dezvolta două trepte de viteză. Prima viteză este pt. viteză redusă, iar cea de-a doua este pentru viteză ridicată. Pentru a schimba vitezele, folosiți întrerupătorul de schimbare al vitezelor (1) rotindu-l cu 180 de grade. Este disponibil și un variator pentru reglarea vitezei (7) care permite modificarea vitezelor indiferent de viteza în care este cuplat echipamentul cu ajutorul cutiei de viteze.

Reduceți întotdeauna viteza malaxorului la introducerea paletelor în materialul ce urmează să fie mixat, și de asemenea la îndepărtarea acestuia din material. Odată ce paletele de mixare (6) sunt introduse complet în materialul pentru mixat, ridicați viteza pentru a vă asigura că motorul este răcit într-un mod adecvat.

În timpul procesului de mixare, deplasați încet echipamentul de mixare într-o mișcare circulară în interiorul containerului. Această mișcare trebuie continuată până când materialul de mixat devine omogen.

Odată ce procesul de mixare este terminat, curățați paletele pentru mixare (6) pentru a opri formarea de reziduuri pe acestea.

Notă: Numerele situate între paranteze se referă la imaginile prezentate în secțiunea Descrierea echipamentului din acest manual.



Protecția mediului



Instrucțiuni privind protecția mediului.

Utilajul conține materiale valoroase. Transportați aparatele și accesoriile uzate la centre specializate de reciclare al materialelor.



Depozitare



Utilajul trebuie depozitat într-o zonă uscată care nu este expusă la temperaturi extreme.

Întreținere



Notă: Asigurați-vă că procedurile de întreținere sunt realizate de un electrician calificat.

Malaxorul Promix produs de Altrad Belle este proiectat pt. a oferi mulți ani de utilizare fără defectțiuni. Este totuși, important, să se realizeze regulat operațiuni simple de întreținere ce sunt prezentate în această secțiune. Este recomandat ca lucrările de întreținere și reparații majore să fie realizate de către un service autorizat Altrad Belle. Folosiți întotdeauna piese de schimb originale Altrad Belle, folosirea pieselor de schimb contrafăcute conduce la pierderea garanției. Înainte de efectuarea de operațiuni de întreținere asupra malaxorului, asigurați-vă că acesta nu este sub tensiune.

Întreținere rutineră		Aprox. 100 Ore	Aprox. 200 Ore
Perii motor	Verificați	✓	
	Schimbați când este necesar		
Ungerea cutiei de viteze	Verificați / Înlocuiți		✓

Malaxoarele sunt dotate cu perii colectoare cu deconectare proprie. Aceasta înseamnă că malaxorul se va opri automat odată ce perii colectoare vor fi uzate la un anumit nivel. Consultați instrucțiunile de mai jos pt. a putea realiza schimbarea periiilor:

Înlocuirea periiilor colectoare din carbon.

1. Folosind o șurubelniță dreaptă, deșurubați capacele celor două perii (8) care sunt localizate în fiecare parte al carcasei motorului.
2. Îndepărtați periiile uzate, și înlocuiți-le cu periiile noi.
3. Reînșurubați șuruburile portperie (8) asigurându-vă că periiile sunt prinse sigur și corect.

Mențineți orificiile pentru ventilare (4) curate, pt. ca procesul de răcire al mașinii să se desfășoare normal.

Ez a kézikönyv a Promix típusú elektromos keverő biztonságos kezelését és karbantartását hivatott elősegíteni.

Előszó

A '**Gép leírása**' rész segít a gép felépítésének és kezelésének megismertetésében.

A '**Biztonsági előírások**' és az '**Egészség és biztonság**' rész kifejti, hogyan használja a gépet úgy, hogy az ön és mások biztonsága garantált legyen.

A '**Kezelési utasítások**' rész kifejti, hogyan használja a gépet megfelelően.

A '**Karbantartás**' részben útmutatást talál a gépe általános karbantartásához és javításához.

A '**Garancia**' fejezet részletezi a garancia-feltételeket és a garanciális igény érvényesítésének eljárását.

Az '**EU megfeleléségi nyilatkozat**' részben található azok a szabványok, amelyek szerint a gép készült.

Útmutatás a megjegyzésekhez

Azokat a részeket a kézikönyvben, amelyekre különös tekintettel kell lennie a következőképpen jelöltük:



VIGYÁZAT

A termék veszélyes lehet. Ön vagy a gépe megsérülhet, ha a műveletek nem szabályszerűen lettek végrehajtva.



FIGYELEM

A kezelő élete veszélyben lehet!

Figyelmeztetés



FIGYELEM

*Mielőtt dolgozni kezd a géppel, vagy karbantartást végez rajta, mindig **OLVASSA EL** és **TANULMÁNYOZZA** ezt a kezelési és karbantartási utasítást.*

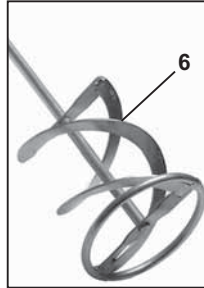
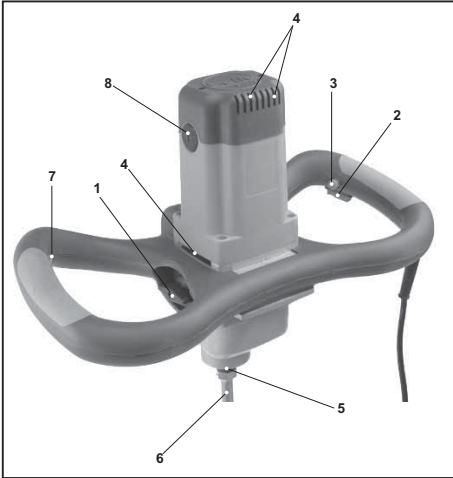
Ismerkedjen meg a berendezés vezérlésének biztonságos használatával, és a gép biztonságos karbantartásával.

(Megjegyzés: Bekapcsolás előtt bizonyosodjon meg róla, hogy tudja, hogyan kell kikapcsolni a gépet az esetleges problémák felmerülésekor.)

MINDIG viselje a személyes védelmét szolgáló, megfelelő védőfelszerelést. Ha **BÁRMILYEN KÉRDÉSE** van a gép biztonságos használatával, vagy karbantartásával kapcsolatban, kérdezze meg a felettesét, vagy lépjen kapcsolatba a forgalmazóval

Tartalomjegyzék

Hogyan használja a kezelési és karbantartási utasítást	82
Figyelmeztetés	82
A gép leírása.....	83
Műszaki adatok.....	83
utasítások	83
Egészség és biztonság	84
Indítás előtt ellenőrzések.....	84
Kezelési utasítások	84
Környezetvédelem.....	84
Tárolás.....	85
Karbantartás	85
Garancia.....	85
C.E Certificate	5



1. Fokozatváltó kapcsoló
2. Kioldó
3. Kioldás rögzítő
4. Szellőző nyílások
5. Tengely M 14 külső menettel
6. Keverőszár
7. Sebességállító tárcsa
8. Kefetartó

Műszaki adatok

Típus	1200E	1600E
Teljes súly (kg)	7.0	7.8
Súly keverőszár nélkül (kg)	5.5	6.2
Magasság * (mm)	865	865
Teljesítmény (W)	1200	1600
Szerszám méret	M14 x 2	M14 x 2
Keverőszár max. átmérő (mm)	120	160
Zajsztint (dB(A))	102	98
Keverhető mennyiség (liter)	113	227
Keverhető anyagok	Gipsz Cement / habarcs Csemperagasztó Vakolat	Gipsz Cement / habarcs Csemperagasztó Vakolat

Biztonsági utasítások

Az Ön és mások biztonsága érdekében kérjük, olvassa el a következő biztonsági információkat, és bizonyosodjon meg róla, hogy megértette ezeket. A kezelő felelőssége meggyőződni arról, hogy tökéletesen megértette-e hogyan kell biztonságosan kezelni a gépet. Ha nem biztos benne hogyan kell megfelelően és biztonságosan kezelni a Promix-ot, akkor kérje felettese vagy a forgalmazója tanácsát.



VIGYÁZAT

Helytelen karbantartás veszélyes lehet. Olvassa el és értelmezze ezt a részt mielőtt bármilyen karbantartást, vagy javítást.

- A munkaterületet kerítse el, és tartson minden illetéktelen személyt biztonságos távolságban.
- A kezelőnek a gép használata közben mindig viselnie kell a személyi védőeszközöket (lásd Egészség és biztonság)
- Győződjön meg róla, hogy probléma esetén ki tudja a gépet kapcsolni, mielőtt bekapcsolná azt.
- Szállítás, munkahelyi áthelyezés esetén a gépet mindig kapcsolja ki.
- A felszerelt védőberendezéseket ne távolítsa el vagy rongálja meg. Ezek az Ön védelmét szolgálják. Mindig ellenőrizze a védőburkolatok állapotát és biztonságát, sérülés vagy hiányosság esetén **NE HASZNÁLJA A PROMIX-ot**, amíg a burkolat helyre nem lett állítva vagy ki nem lett cserélve.
- Ne használja a gépet ha beteg, fáradtnak érzi magát vagy alkohol illetve kábítószer hatása alatt áll.
- Biztosítsa, hogy a keverőedény sima, szilárd felületen legyen elhelyezve.
- A keverés alatt a keverőedénybe ne nyúljon bele sem kézzel vagy valamilyen tárggyal.

Vibráció

keverés folyamán némi vibráció átadódhat a kezelő kezére.

Személyi védő felszerelés

A berendezés használata során viselje a megfelelő védő felszerelést, azaz a védőszemüveget, kesztyűt, a fülvédőt és az acélbetétes lábbelit Viseljen megfelelő ruházatot a munkafolyamat során. A hosszú hajat kösse össze, és távolítson el minden ékszert, amely beakadhat a berendezés mozgó alkatrészeibe.

Elektromos berendezés

Az elektromosság halálos lehet! Karbantartás/javítási munka előtt mindig győződjön meg róla, hogy a hálózati csatlakozó ki van-e húzva. Nedves körülmények között ne használja a berendezést

Indítás előtti ellenőrzések

A következő indítás előtti ellenőrzéseket minden műszakkezdés előtt, vagy 4 üzemóra után el kell végezni, amelyek hamarabb bekövetkeznek. A részletes útmutató a karbantartás fejezet tartalmazza. Bármely hiba észlelése esetén a Promix-ot nem szabad használni, amíg a hibát ki nem javítják.

1. Gondosan ellenőrizze, hogy nem látható-e a Promix-en sérülés. Ellenőrizze, hogy minden komponens megvan-e és biztonságos. Különös figyelemmel legyen a keverőszárra, és győződjön meg róla, hogy megfelelően van-e csatlakoztatva.
2. Ellenőrizze az elektromos kábeleket, hogy nem látható-e rajtuk sérülés. Üzemeltetés előtt hozza helyre a sérült részeket.

Kezelési utasítások

**FIGYELEM**

*Mielőtt dolgozni kezd a géppel, vagy karbantartást végez rajta, mindig **OLVASSA EL** és **TANULMÁNYOZZA** ezt a kezelési és karbantartási utasítást.*

A berendezést mindig a fogantyút két kézzel tartva kezelje.

A keveréshez nyomja meg és tartsa lenyomva a kioldót (2).

Amint a kioldó (2) BE állásba kerül, nyomja meg a kioldó rögzítőgombját (3). A továbbiakban ez tartja a kioldót (2) BE helyzetben, és nem kell tovább tartani.

A berendezés leállításához nyomja be és engedje el a kioldót (2).

A berendezés 2-sebességes hajtóművel rendelkezik, és így 2 sebesség áll rendelkezésre. Az első sebesség az alacsony fokozat, a második sebesség a gyors fokozat. Az egyik fokozatból a másikba a fokozatváltó kapcsoló (1) 180°-os elfordításával lehet átváltani. A sebességállító tárcsa (7) lehetővé teszi a sebesség változtatását az első és második fokozatban.

A keverőszárnak a keverendő anyagba helyezésekor, valamint kivételkor mindig csökkentse le a sebességet. Amint a keverőszáron (6) már nincs a kevert anyagból, emelje meg a sebességet, hogy a motor megfelelően lehűlhessen.

A keverés folyamán lassan mozgassa a berendezést a keverőedényben körbe. Ezt addig kell folytatni, amíg az anyag teljesen össze nincs keverve.

A keverés befejezése után tisztítsa meg a keverőszárat (6), nehogy a szennyeződés vagy a maradék anyag felrakódhasson.

Megjegyzés: A zárójelben lévő számok a Gép leírásánál látható kép tételszámaira utalnak.

Környezet

**Biztonságos eltávolítás.**

Környezetvédelmi előírások.

A gép értékes anyagokat tartalmaz. A hulladék alkatrészeket helyezze el az újrahasznosító helyen.



A berendezést száraz környezetben kell tárolni, ahol nincs kitéve rendkívüli hőmérséklet behatásnak.

Karbantartás

A Altrad Belle Promix berendezése képes több éven keresztül probléma nélkül működni.

Mégis fontos, hogy időközönként elvégezzük az alább részletezett, egyszerű karbantartást. Ajánlatos, hogy a Altrad Belle által kijelölt forgalmazó végezze a nagyobb javításokat, és karbantartásokat. Mindig eredeti Altrad Belle alkatrészeket használjon fel. Az utángyártott alkatrészek használata a garancia megszűnését vonhatja maga után. Minden karbantartási munka megkezdése előtt győződjön meg róla, hogy a hálózati csatlakozó ki van húzva.

Rutin karbantartás		Kb. 100 Üzemóránként	Kb. 200 Üzemóránként
Motor szénkefék	Ellenőrzés	✓	
	Csere szükség esetén		
Hajtómű zsírzás	Ellenőrzés / Csere		✓

A berendezés ön-deaktiváló szénkefével van ellátva. Ez azt jelenti, hogy a berendezés automatikusan kikapcsol, ha a szénkefék egy bizonyos mértékig elkoptak. A szénkefék cseréjét az alábbiak szerint végezze.

Motor szénkefék cseréje

1. Lapos végű csavarhúzóval csavarja ki a két kefetartó (8), amelyek a motorház valamelyik oldalán található.
2. Vegye ki az elkopott szénkefét, és helyezze be az újat.
3. helyezze vissza mindkét kefetartót (8), húzza meg a csavarokat, és győződjön meg róla, hogy a kefék biztonságosan rögzülnek.

Is tartsa a szellőzőnyílásokat (4) tiszta kosz és a maradék úgy, hogy a gép lehet hűteni megfelelően.

Megjegyzés: A számok zárójelben utal a kép megjelenik a gép leírása részben a füzet.



Ako používať tento návod k obsluhu

Tento návod k obsluhu bol napísaný, aby napomáhal obsluhu prenosného ručného miešadla Promix (ďalej len zariadenie) pri jeho bezpečnom používaní a údržbe. Tento návod k obsluhu je určený predajcom a užívateľom zariadenia

Predhovor

Kapitola **“Popis zariadenia”** Vám bude nápomocná pri zoznámení sa s konštrukciou zariadenia a jeho ovládacími prvkami.

Kapitoly **“Obecné bezpečnostné pokyny”** a **“Zdravie a bezpečnosť”** vysvetľujú ako používať zariadenie tak, aby bola zaistená Vaša vlastná bezpečnosť a bezpečnosť Vášho okolia.

Kapitola **“Pokyny k obsluhu”** vysvetľuje ako správne používať zariadenie.

Kapitola **“Servis a údržba”** Vám bude nápomocná pri celkovej údržbe a opravách zariadenia.

Kapitola **“Záruka”** popisuje podrobnosti na čo všetko sa vzťahuje záruka na zariadenie a reklamačný poriadok.

Kapitola **“Prehlásenie o zhode”** poukazuje na štandardy podľa ktorých bolo zariadenie skonštruované.

Symbolika dôležitých príkazov

Texty uvedené v tomto návode k obsluhu, ktoré vyžadujú zvláštnu pozornosť, sú zvýraznené nasledujúcim spôsobom:



VÝSTRAHA

Zariadenie môže byť nebezpečné! Zariadenie môže byť poškodené alebo obsluha môže byť zranená pokiaľ nie sú nižšie uvedené postupy správne dodržiavané!



VAROVANIE

Život obsluhy zariadenia môže byť v ohrození!



Varovanie



VAROVANIE

*Tento návod k obsluhu **SI MUSÍTE PREČÍTAŤ A NAŠTUDOVAŤ** vždy predtým než začnete zariadenie používať alebo na ňom prevádzkať údržbu a opravy*

Vždy majte na pamäti, ako bezpečne používať ovládacie prvky zariadenia a čo všetko musíte urobiť pre bezpečnú prevádzku zariadenia.

(Ďalej zdôrazňujeme, aby ste sa pred zapnutím zariadenia ubezpečili, že ho viete aj vypnúť v prípade núdze).

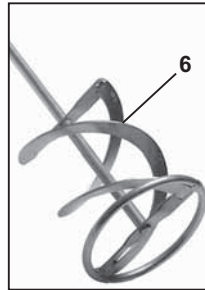
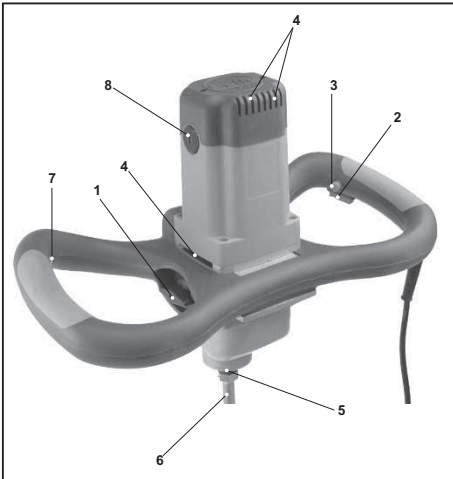
Vždy poriadne používajte doporučené a schválené ochranné pomôcky určené pre osobnú ochranu pri práci.

Pokiaľ máte akékoľvek otázky týkajúce sa bezpečného používania či bezpečnej údržby tohto zariadenia, spýtajte sa svojho nadriadeného (popr. dohliadateľa) alebo kontaktujte výrobcu: Altrad Belle: +44 (0) 1298 84606



Obsah

Ako používať tento návod k obsluhu.....	86
Varovanie.....	86
Popis zariadenia.....	87
Technické dáta.....	87
Obecné bezpečnostné pokyny.....	87
Zdravie a bezpečnosť.....	88
Kontrola pred štartom.....	88
Pokyny k obsluhu.....	88
Ochrana životného prostredia.....	88
Skladovanie.....	89
Servis a údržba.....	89
Záruka.....	89
Poznámky.....	5



1. prepínač rýchlostných stupňov
2. vypínač motora
3. zámok vypínača motora
4. ventilačné otvory
5. hriadeľ so závitom M14
6. miešacia metla
7. regulátor otáčok
8. držiaky kefiék

Technické dáta

Model	1200E	1600E
Celková hmotnosť zariadenia (kg)	7.0	7.8
Hmotnosť bez miešacej metly (kg)	5.5	6.2
Výška zariadenia * (mm)	865	865
Výkon (W)	1200	1600
Závit pre uchytenie miešacej metly	M14 x 2	M14 x 2
Max. priemer miešacej metly (mm)	120	160
Hladina hluku (dB(A))	102	98
Miešaný objem (l)	113	227
Miešaný materiál (doporučený)	Sadrová Malta Cementová Malta Malta Lepidlá na Kachličky	Sadrová Malta Cementová Malta Malta Lepidlá na Kachličky

Obečné bezpečnostné pokyny

Pre Vašu vlastnú bezpečnosť a pre bezpečnosť Vášho okolia si prosím dôkladne prečítajte nasledujúce bezpečnostné pokyny a uistite sa, že ich rozumiete a že ste ich plne pochopili. Obsluha tohto zariadenia plne zodpovedá za to, že pochopila a rozumie tomu ako bezpečne obsluhovať toto zariadenie. Pokiaľ si nie ste istí ako správne a bezpečne obsluhovať toto zariadenie, kontaktujte svojho nadriadeného (dohliadateľa) alebo výrobcu Altrad Belle.



VAROVANIE

Nevhodné použitie zariadenia môže byť nebezpečné! Prečítajte si túto kapitolu pred použitím, údržbou alebo opravou zariadenia!

- Pracovnú oblasť uzavrite kónusom a zamedzte verejnosti alebo nepovolánym osobám vstup na pracovisko.
- Obsluha musí pri práci s týmto zariadením používať osobné ochranné pomôcky – viď kapitola 'Zdravie a bezpečnosť'.
- Uvedomte si skôr než zariadenie naštartujete, či ho dokážete v prípade nečakanej potreby vypnúť.
- Motor zariadenia vždy vypnite ešte predtým než začnete zariadenie premiestňovať, prevážať alebo opravovať.
- Nikdy nemanipulujte a neodstraňujte ochranné kryty zariadenia, tieto kryty slúžia pre Vašu ochranu. Pravidelne kontrolujte stav ochranných krytov a ich bezpečnosť.
- Nikdy nepoužívajte zariadenie pokiaľ sú poškodené, opravené, vymenené za nové, alebo chýbajúce ochranné kryty.
- Nikdy nepoužívajte zariadenie pokiaľ sa cítite unavení, pokiaľ ste chorí, alebo pokiaľ ste pod vplyvom alkoholu alebo drog.
- Zaisťujte, že je nádoba s miešaným obsahom postavená na rovnom a pevnom povrchu.
- Pri procese miešania nezasahujte do priestoru miešacej metly žiadnymi časťami tela alebo inými predmetmi.



Zdravie a bezpečnosť

Vibrácie

Niektoré vibrácie vznikajúce pri prevádzke zariadenia sú prenášané cez rukoväť na paže obsluhy.

Osobné ochranné pomôcky (ďalej len OOP)

Pri obsluhu zariadenia musia byť vždy použité patričné a schválené OOP, ako sú ochranné okuliare, rukavice, ochranné klapky na uši, protiprachová maska a vhodná a schválená ochranná obuv. Používajte vhodný pracovný odev. Dlhé vlasy je nutné vhodne chrániť pod čiapkou alebo stiahnuť do vrkoča. Obsluha zariadenia nesmie nosiť na tele pri práci so zariadením šperky, náramky a iné ozdobné módné prvky, aby sa nedostali do pohyblivých častí zariadenia.

Elektrické zariadenie

Elektrina môže spôsobiť smrť! Pred akýmkoľvek údržbovým zásahom, opravou či servisom najskôr zariadenie odpojte od zdroja elektrického prúdu. Nikdy nepoužívajte zariadenie vo vlhkom prostredí.



Kontrola pred štartom

Prehliadka pred štartom

Nižšie uvedená kontrolná prehliadka musí byť prevedená vždy pred každým štartom zariadenia alebo vždy po každých štyroch hodinách prevádzky zariadenia, podľa toho čo nastane prv. Pre bližšie informácie nahliadnite do servisnej časti tohto návodu. V prípade akejkoľvek závady musí byť zariadenie odstavené do doby než dôjde k odstráneniu závady.

1. dôkladne zariadenie prehliadnite na známky zjavného poškodenia. Skontrolujte, či sú jednotlivé súčasti bezpečne upevnené na svojich miestach. Zvýšenú pozornosť venujte miešacej metle, skontrolujte či je správne nasadená a upevnená.
2. skontrolujte elektrické káble na známky poškodenia (obnažené vlákna a pod.), v prípade chyby nechajte káble opraviť či vymeniť.



Pokyny k obsluhu



VAROVANIE

Tento návod k obsluhu SI MUSÍTE PREČÍTAŤ A NAŠTUDOVAŤ vždy predtým než začnete zariadenie používať alebo na ňom prevádzkať údržbu a opravu

Zariadenie ovládajte vždy oboma rukami pevne uchopenými za ovládajúce rukoväte.

Zariadenie uveďte do prevádzky zmačknutím a pridržaním vypínača motora (2).

Ak je vypínač motora (2) zmačknutý je možno zatlačiť poistný zámok (3), ktorý zaistí vypínač (2) v zapnutej polohe.

Zariadenie zastavíte zmačknutím vypínača motora (2) a jeho uvoľnením.

Zariadenie je vybavené dvojrychlostnou prevodovkou. Prvý rýchlostný stupeň poskytuje pomalú rýchlosť, druhý rýchlostný stupeň vysokú rýchlosť otáčania miešacej metly. Rýchlostné stupne prepnete z jedného na druhý otočením prepínača (1) vždy o 180°. Zariadenie je ďalej vybavené plynulým regulátorom otáčok (7), ktorý umožňuje citivejšie nastavenie rýchlosti pre každý z oboch rýchlostných stupňov.

Pred vkladáním a vyťahovaním miešacej metly do a z miešacieho materiálu vždy znížte hodnotu otáčok metly. Akonáhle je metla (6) vyťažená a zbavená nánosov miešaného materiálu, zvýšte opäť otáčky pre zaistenie chladenia motora.

Behom procesu miešania pomaly pohybujte zariadením okolo miešacej nádoby. Pokračujte tak dlho pokiaľ nie je celý obsah nádoby premiešaný.

Ako náhle dokončíte miešanie, očistíte metlu (6) od zvyškov miešaného materiálu.

Poznámka: Čísla uvedené v zátvorkách ukazujú na obrázok, ktorý je uvedený v kapitole "Popis zariadenia" v tomto návode k obsluhu.



Ochrana životného prostredia



Bezpečné nakladanie s odpadmi

Pokyny pre ochranu životného prostredia

Zariadenie je zložené z rôznych druhov materiálu.

Vyradené zariadenie a jeho časti odovzdajte na príslušné miesta k recyklácii!



Zariadenie by malo byť uskladnené v suchom prostredí, tam kde nebude vystavené extrémnym teplotám.

Servis a údržba

Poznámka: Zaisťte, že všetky opravy a servisné zásahy prevedie kvalifikovaný elektrikár.

Ručné miešadlo Promix Altrad Belle je navrhnuté s cieľom slúžiť bez problémov niekoľko rokov. Ale i napriek tomu je dôležité dodržiavať jednoduchú pravidelnú údržbu popísanú v tejto kapitole. Odporúča sa, aby všetky hlavné opravy a údržbu prevádzal autorizovaný predajca Altrad Belle. Vždy používajte originálne náhradné diely Altrad Belle, pretože v prípade použitia neoriginálnych dielov môžete prísť o záruku na zariadení. Pred každým údržbovým zásahom, opravou či servisom zariadenie najskôr odpojte od elektrickej siete.

Pravidelná Údržba		Približne po 100 Hod.	Približne po 200 Hod.
Stieracie Kefky (Uhlíky) Motora	Kontrola	✓	
	Výmena podľa potreby		
Mazivo V Prevodovej Skrini	Kontrola / Výmena		✓

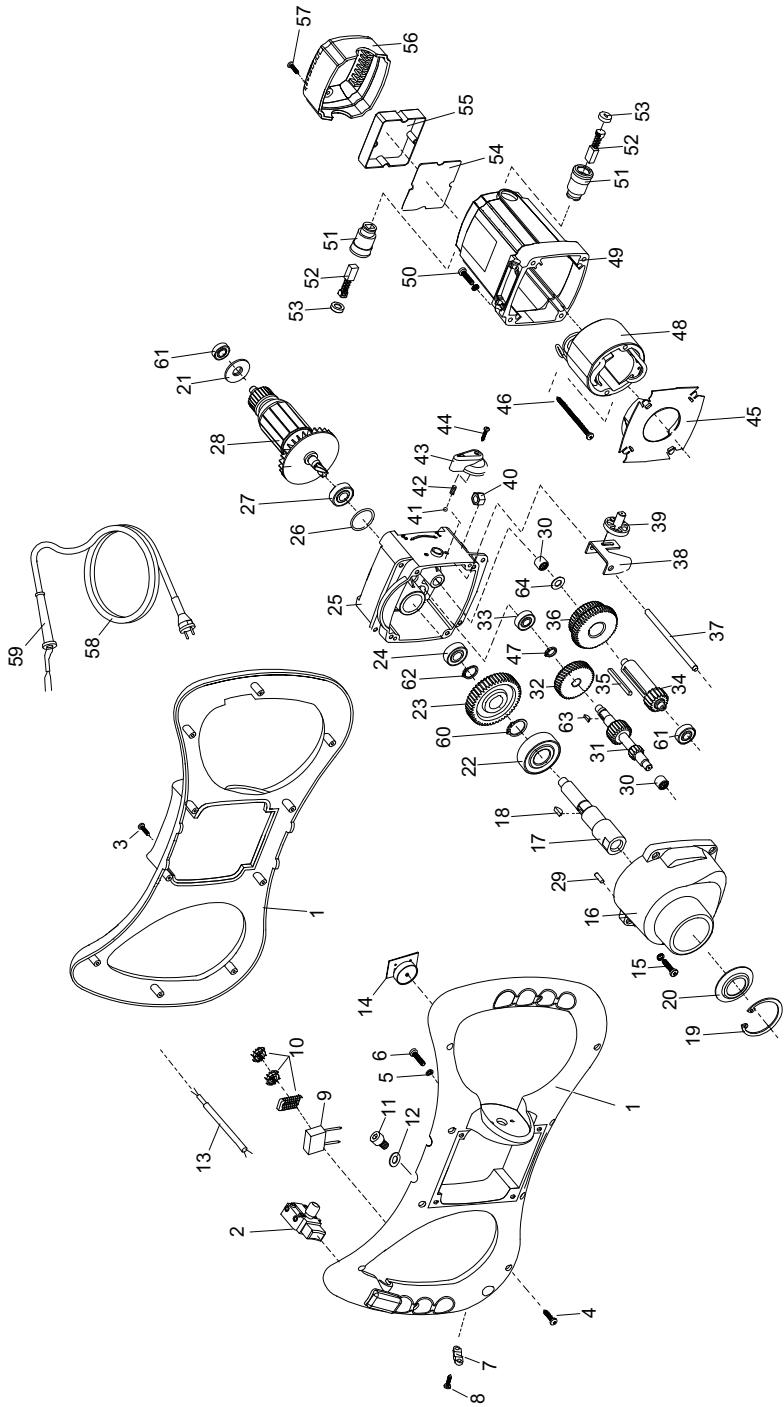
Motor zariadenia je vybavený autodeaktivačnými uhlíkovými kefkami. To znamená, že zariadenie sa samé vypne v prípade, že sa uhlíky opotrebojú na určitú minimálnu hodnotu. Výmena uhlíkov - viď text nižšie.

Výmena uhlíkových kefiiek motora

1. pomocou plochého šrobováka odšróbujte oba držiaky kefiiek (8), ktoré sa nachádzajú po oboch stranách krytu motora
2. vytiahnite staré opotrebované kefiiky a nahradte ich novými
3. našróbujte naspäť držiaky kefiiek (8) a prekontrolujte, že sú poriadne dotiahnuté

Udržujte v čistote ventilačné otvory (4) tak, aby bolo poriadne zaistené chladenie motora.

Promix 1200E & 1600E



Promix 1200E & 1600E

ITEM ⁽¹⁾ NO.	PART ⁽²⁾ NO.	DESCRIPTION ⁽³⁾	QTY ⁽⁴⁾	ITEM ⁽¹⁾ NO.	PART ⁽²⁾ NO.	DESCRIPTION ⁽³⁾	QTY ⁽⁴⁾
1	949/99501	Handle (→ June '08)	1	37	949/99531	Pivot	1
1	949/99592	Handle (→ June '08)	1	38	949/99532	Selector Fork	1
2	949/99502	Switch (→ June '08)	1	39	949/99533	Pivot	1
2	949/99593	Switch (→ June '08)	1	40	8/8001	Nut M8	2
3	7/3009	Screw ST3.5X16	10	41	949/99534	Bail/4	1
4	7/4006	Screw ST4X20	10	42	949/99535	Spring	1
5	4/5003	Spring washer	10	43	949/99536	Lever	1
6	7/5011	Screw M5X10	1	44	7/3010	Screw ST3X16	1
7	949/99505	Clamp	2	45	949/99602	Airguide Shim (1200E)	1
8	7/3009	Screw ST3.5X16	1	45	949/99537	Airguide Shim (1600E)	1
9	949/99506	Capacitor	1	46	949/99603	Screw ST4X70 (1600E)	2
10	949/99507	Inductance	4	46	7/5022	Screw ST5X65 (1600E)	2
11	7/8058	Screw M8X16	4	47	949/99604	Safety Ring Ø10	1
12	4/8006	Flat washer	1	48	949/99579	Stator (1200E - 110v)	1
13	949/99508	Electrical wire	1	48	949/99567	Stator (1200E - 230v)	1
14	949/99509	Circuitry Board / Speed Regulator	1	48	949/99578	Stator (1600E - 110v)	1
15	7/5022	Screw M5X16	4	48	949/99538	Stator (1600E - 230v)	1
16	949/99510	Bearing cover	1	49	949/99568	Motor Box (1200E)	1
17	949/99511	Spindle	1	49	949/99539	Motor Box (1600E)	1
18	949/99512	Hemicycle key 4 x 5 x 12	1	50	7/5009	Screw M5X25	4
19	949/99513	Safety ring	1	51	949/99569	Brush Holder (1200E)	1
20	949/99514	Dust cover	1	51	949/99540	Brush Holder (1600E)	1
21	949/99599	Felted wool (1200E)	1	52	949/99589	Carbon Brush (1200E - 110v)	1
21	949/99515	Felted wool (1600E)	1	52	949/99570	Carbon Brush (1200E - 230v)	1
22	949/99516	Bearing 6204DDU	1	52	949/99588	Carbon Brush (1600E - 110v)	1
23	949/99517	Spindle Gear	1	52	949/99541	Carbon Brush (1600E - 230v)	1
24	949/99518	Bearing 6000ZZ	2	53	949/99571	Brush Cap (1200E)	1
25	949/99519	Gearbox	1	53	949/99542	Brush Cap (1600E)	1
26	949/99600	Seal Ring (1200E)	1	54	949/99590	Controller (1200E - 110v)	1
26	949/99520	Seal Ring (1600E)	1	54	949/99572	Controller (1200E - 230v)	1
27	949/99601	Bearing (1200E)	1	54	949/99591	Controller (1600E - 110v)	1
27	949/99521	Bearing (1600E)	1	54	949/99543	Controller (1600E - 230v)	1
28	949/99577	Aemature Ass'y (1200E - 110v)	1	55	949/99544	Protective Guard	1
28	949/99557	Aemature Ass'y (1200E - 230v)	1	56	949/99574	Rear Cover (1200E)	1
28	949/99576	Aemature Ass'y (1600E - 110v)	1	56	949/99545	Rear cover (1600E)	1
28	949/99522	Aemature Ass'y (1600E - 230v)	1	57	7/3009	Screw ST3.5X16	2
29	949/99523	Pin	1	58	949/99575	Cord (UK - 110v)	1
30	949/99524	Needle bearing	2	58	949/99546	Cord (UK - 230v)	1
31	949/99525	Countershaft	1	58	949/99581	Cord (EU - 2300v)	1
32	949/99526	Motor Gear (1200E)	1	59	949/99547	Sleeve	1
32	949/99597	Motor Gear (1600E)	1	60	949/99582	Safety Ring	1
33	949/99562	Bearing 698ZZ	1	61	949/99527	Bearing 608ZZ	2
34	949/99528	Pinion	1	62	949/99583	Safety Ring	1
35	949/99529	Parallel key	1	63	949/99558	Hemicycle key 2.5 x 3.2 x 10	1
36	949/99530	Double Gear	1	64	949/99605	Spacer 0.8	1

⁽¹⁾ Item Number / numéro sur le schéma / número de la ilustración / número da ilustração / afbeeldingsnummer / tegningsnummeret / Teil-Nummer / numero dell'illustrazione

⁽²⁾ Part Number / Numéro de référence de la pièce / número de pieza / número da parte / stuknummer / Styknummer / Nummer auf der Abbildung / numero di parte

⁽³⁾ Description / Désignation / Descripción / Descrição / Omschrijving / Beskrivelse / Bezeichnung / Descrizione

⁽⁴⁾ Quantity / Quantité / Cantidad / Quantidade / Hoeveelheid / Mengen / Mængde / Quantità