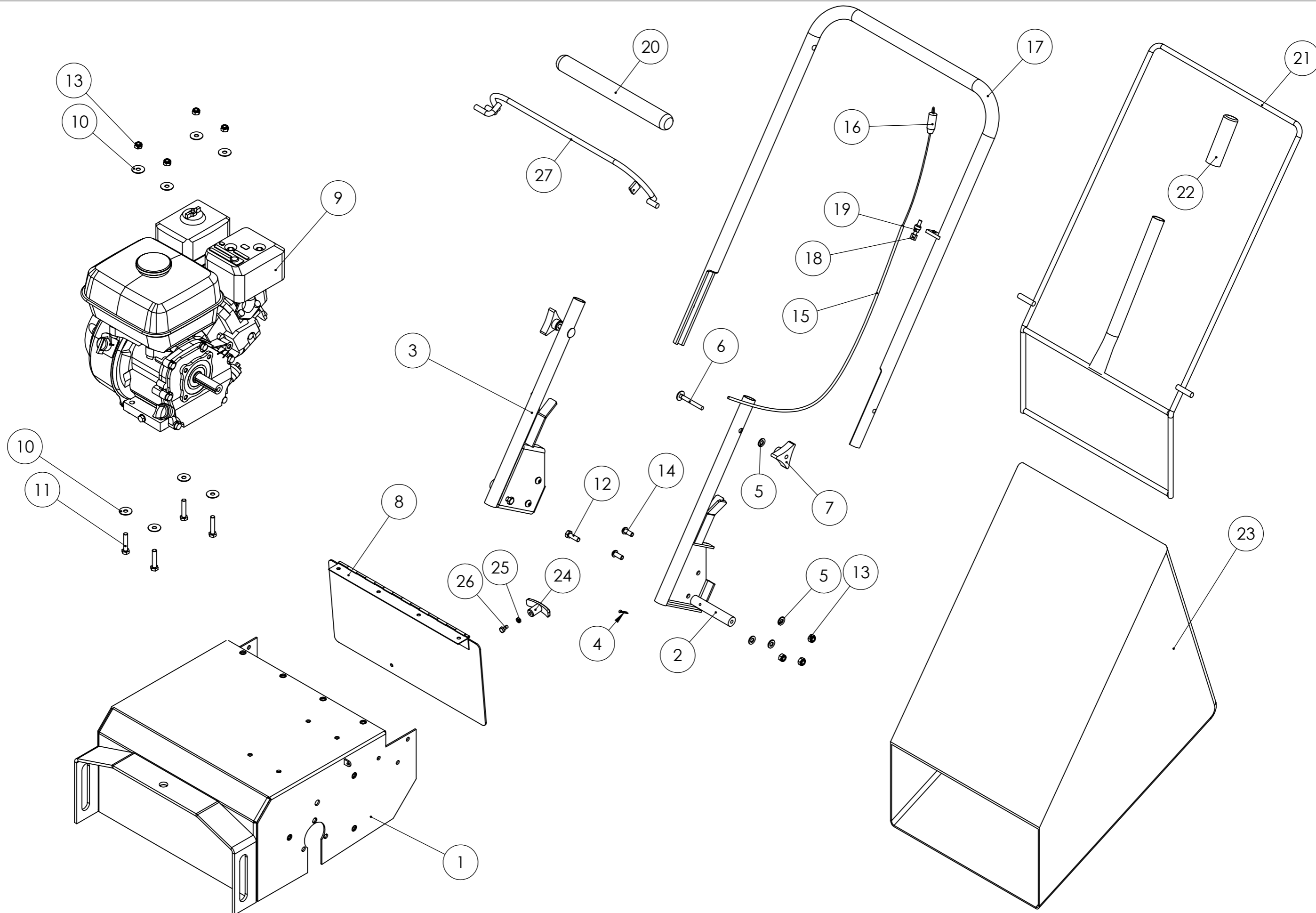


Parts Diagram
CAMON LS42 Scarifier

VALID FROM	Aug 2010
SERIAL NUMBER	from 60000
REVISION	A



Parts Diagram

Main Chassis

VALID FROM

Aug 2010

SERIAL NUMBER

from 60000

REVISION

A

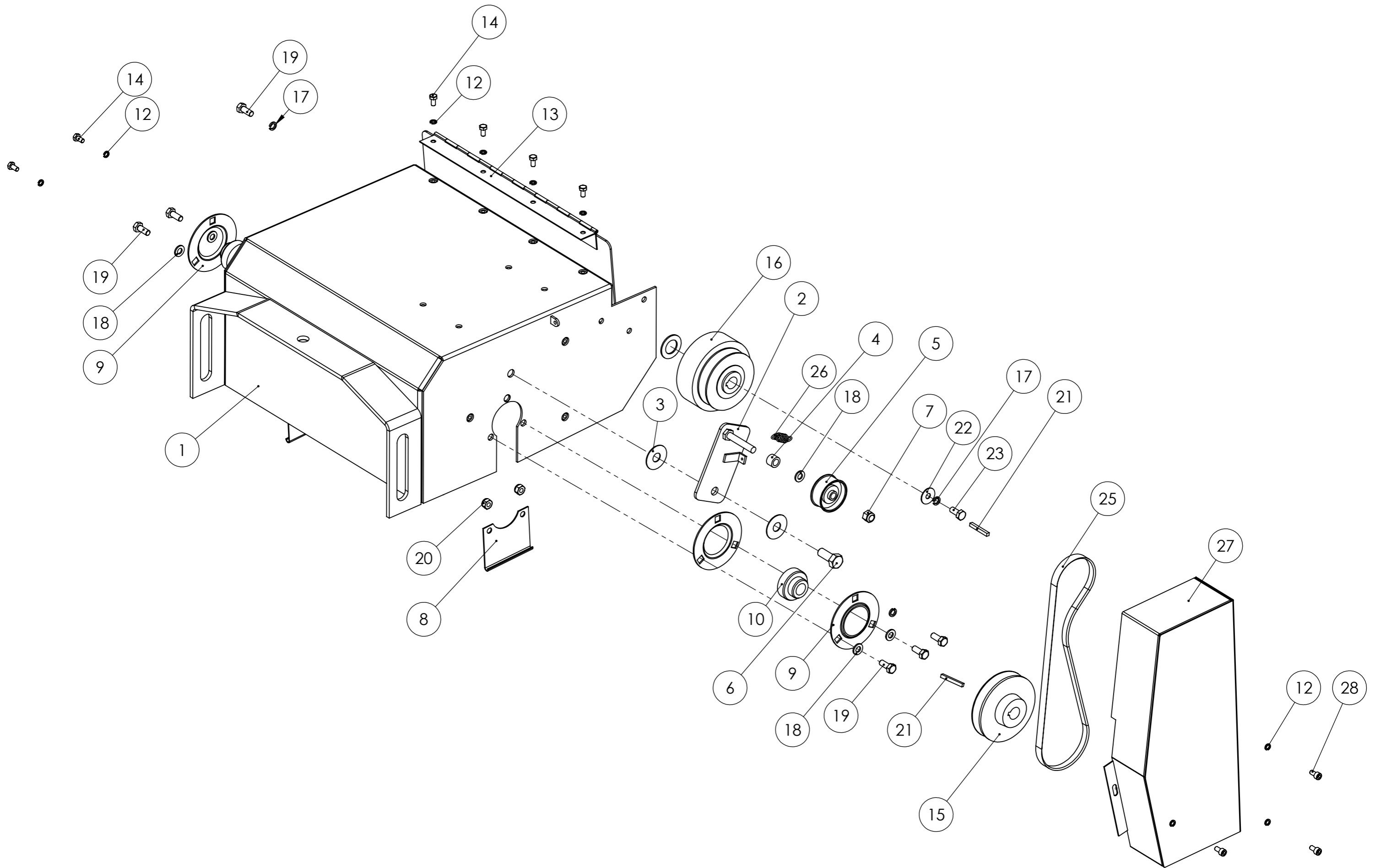
CAMON LS42 Scarifier

ITEM NO.	PartNo	DESCRIPTION	Default/ QTY.
1	60102	Chassis	1
2	60103	LH Lower handle bar	1
3	60104	RH Lower handle bar	1
4	45285	Split pin	2
5	31411105	Washer	8
6	12819201	Coach Bolt	2
7	22399900	Knob	2
8	60042	Ejection flap complete	1
9	GX160UTQX4	Engine	1
10	60065	Penny washer	8
11	31112154	Hex Bolt	4
12	31112151	Hex Bolt	2
13	31241080	Nyloc	10
14	480125	Button head	4
15	60040	Throttle cable	1
16	22450800	Throttle spring	1
17	60093	Top Handle bar	1
18	58147704	Adjuster	1
19	31211060	Nut	1
20	60096	Rubber Sleeve	1
21	60092	Bag frame	1
22	58048000	Grip	1
23	60049	Collector Bag	1
24	60055	Knob	1
25	60079	Split washer	1
26	31112082	Bolt	1
27	60094	Operating lever	1

Parts Diagram
CAMON LS42 Scarifier

Main Chassis Table

VALID FROM	Aug 2010
SERIAL NUMBER	from 60000
REVISION	A



Parts Diagram
CAMON LS42 Scarifier

Drive System

VALID FROM	Aug 2010
SERIAL NUMBER	from 60000
REVISION	A

ITEM NO.	PartNo	DESCRIPTION	QTY.
1	60102	Chassis	1
2	60025	Jockey Plate	1
3	60029	Penny washer	2
4	60026	Spacer	1
5	60028	Jockey wheel	1
6	31113215	Hex bolt	1
7	60032	Nyloc nut	1
8	60077	Guard	2
9	60062	Bearing carrier	4
10	60011	Bearing	2
11	60089	Rotor shaft cover	1
12	60079	split washer	9
13	60042	Ejection flap complete	1
14	31112082	Bolt	6
15	60043	Pulley	1
16	60064	Centrifugal Clutch	1
17	60075	Split washer	3
18	31411105	Washer	5
19	31112150	Hex Bolt	6
20	31241100	Nyloc	4
21	56356165	Key	2
22	60065	Penny washer	1
23	31100003	Hex Bolt	1
24	45282	Washer	1
25	60068	Belt (LS42)	1
26	60069	Jockey spring	1
27	60035	Belt Guard	1
28	60031	Capscrew	3

Parts Diagram

Drive System Table

VALID FROM

Aug 2010

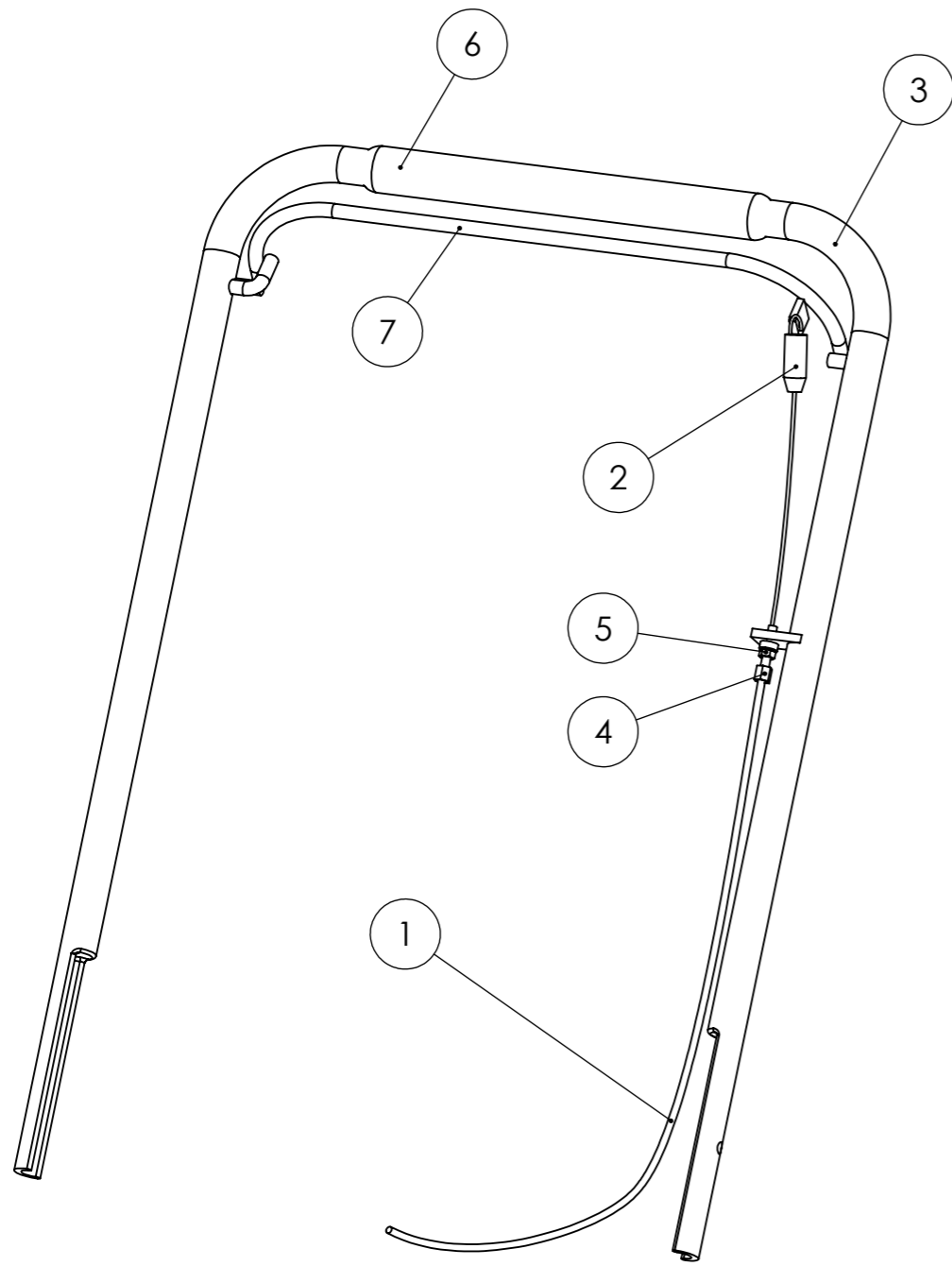
SERIAL NUMBER

from 60000

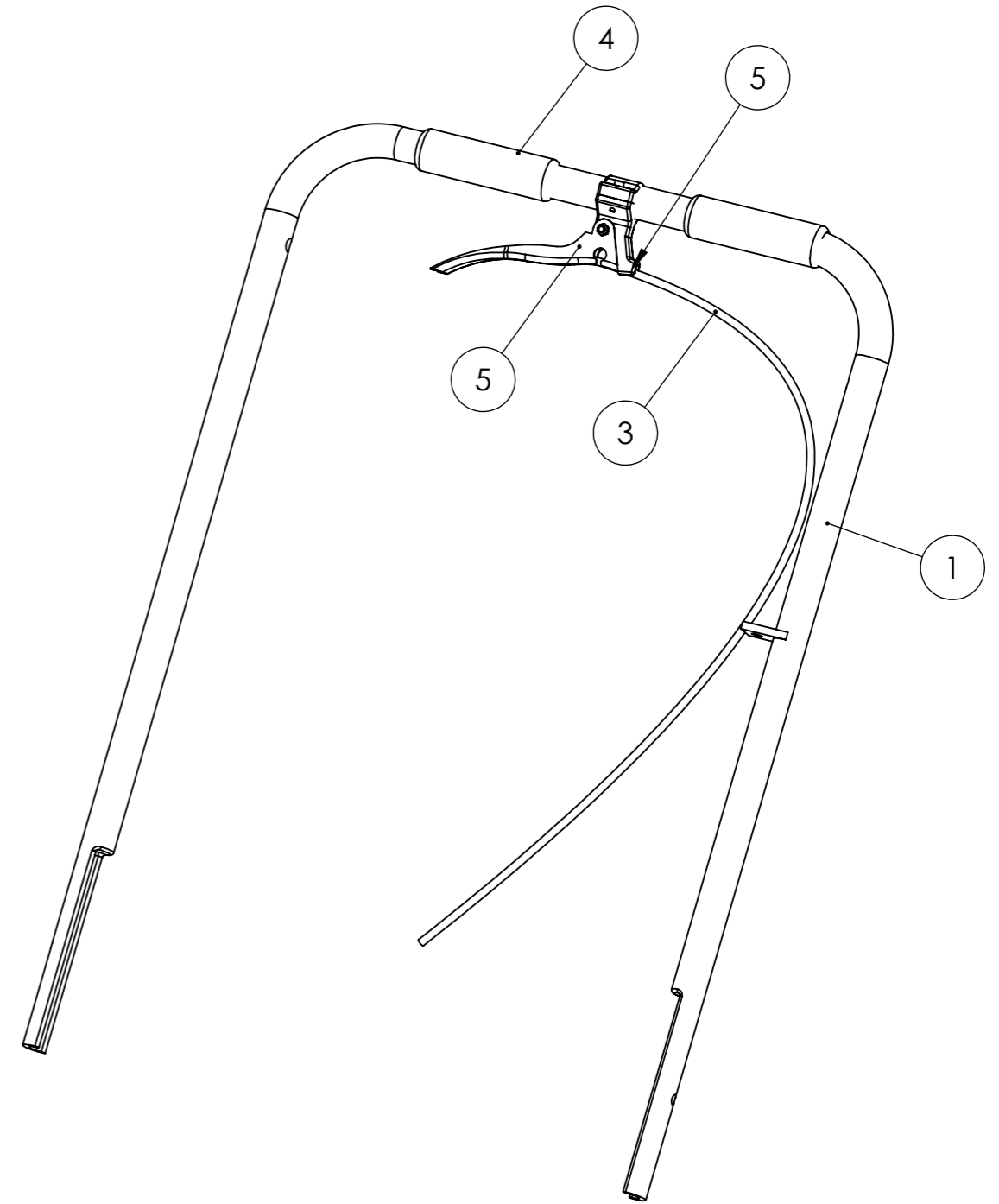
REVISION

A

CAMON LS42 Scarifier



ITEM NO.	PartNo	DESCRIPTION	Handlebars/QTY.
1	60040	Throttle cable	1
2	22450800	Throttle spring	1
3	60093	Top Handle bar	1
4	58147704	Adjuster	1
5	31211060	Nut	1
6	60096	Rubber Sleeve	1
7	60094	Operating lever	1



ITEM NO.	PartNo	DESCRIPTION	QTY.
1	60093	Top Handle bar	1
5	12998-1	Control Lever	1
3	60001-2	Cable	1
4	61111	Open Grip	2
5	60001	Lever & Cable Assembly	1

Parts Diagram

CAMON BC65 Scarifier

Levers & Cables

VALID FROM

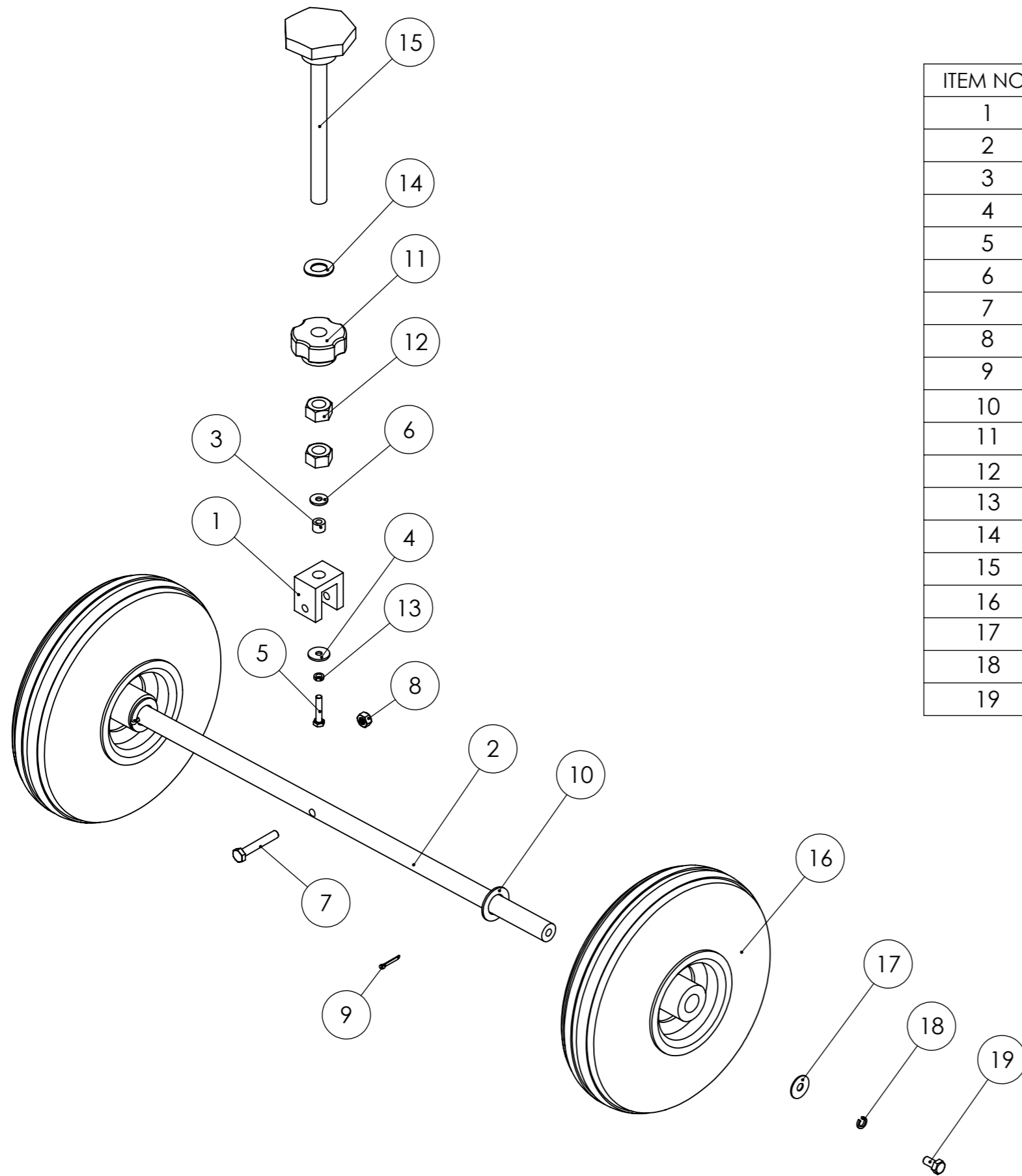
Aug 2010

SERIAL NUMBER

from 60000

REVISION

A

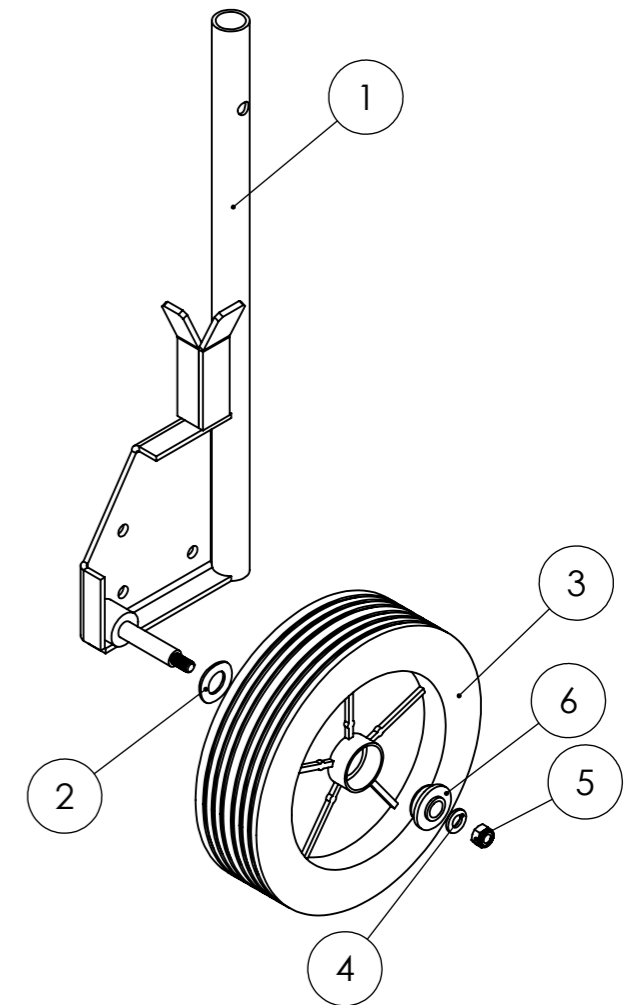
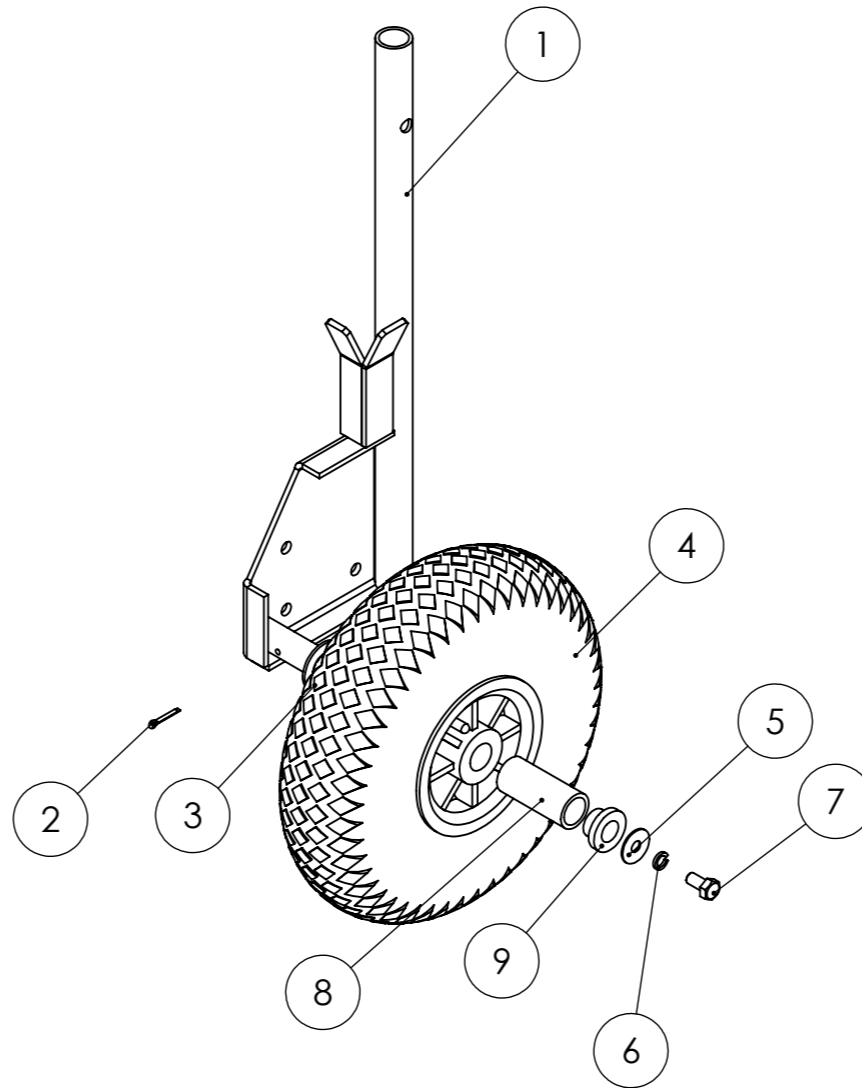
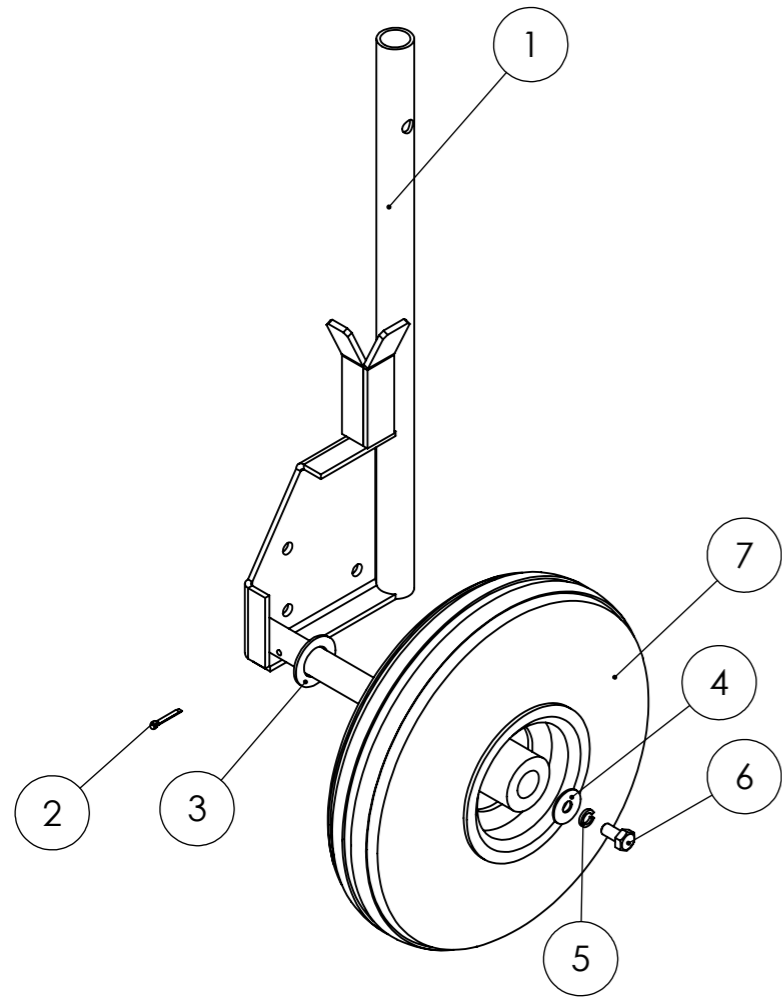


ITEM NO.	PartNo	DESCRIPTION	QTY.
1	60005	Clevis	1
2	60105	Front axle	1
3	60004	Swivel bush	1
4	60027	Washer	1
5	31112089	Bolt	1
6	60027	Washer	1
7	31112157	Bolt	1
8	31241080	Nyloc T-type	1
9	45285	Split pin	2
10	45282	Washer	2
11	60023	Locking knob	1
12	31231160	Nut	2
13	60079	Split washer	1
14	31423170	Wavy Washer	1
15	60020	Adjuster Handle	1
16	60106S	Solid Rubber Wheel	2
17	60065	Penny washer	2
18	60075	Split washer	2
19	31111151	Hex Bolt	2

Parts Diagram
CAMON LS42 Scarifier

Front Axle Assembly

VALID FROM	Aug 2010
SERIAL NUMBER	from 60000
REVISION	A



ITEM NO.	PartNo	DESCRIPTION	QTY.
1	60104	RH Lower handle bar	1
2	40016	Split pin	1
3	45282	Washer	1
4	60065	Penny washer	1
5	60075	Split washer	1
6	31111151	Hex Bolt	1
7	60106S	Solid Rubber Wheel	1

ITEM NO.	PartNo	DESCRIPTION	QTY.
1	60104	RH Lower handle bar	1
2	40016	Split pin	1
3	45282	Washer	1
4	60106	Solid Rubber Wheel	1
5	60065	Penny washer	1
6	60075	Split washer	1
7	31111151	Hex Bolt	1
8	60106BRNG	Roller Bearing	1
9	60106RET	Bearing Retainer	1

ITEM NO.	PartNo	DESCRIPTION	QTY.
1	60090	Right Hand Axle	1
2	31423170	Wavy Washer	1
3	81007313	Solid Wheel	1
4	31411105	Washer	1
5	31241100	Nyloc	1
6	22122200	Bearing	2

Parts Diagram

Rear Axle Assemblies

CAMON LS42 Scarifier

VALID FROM

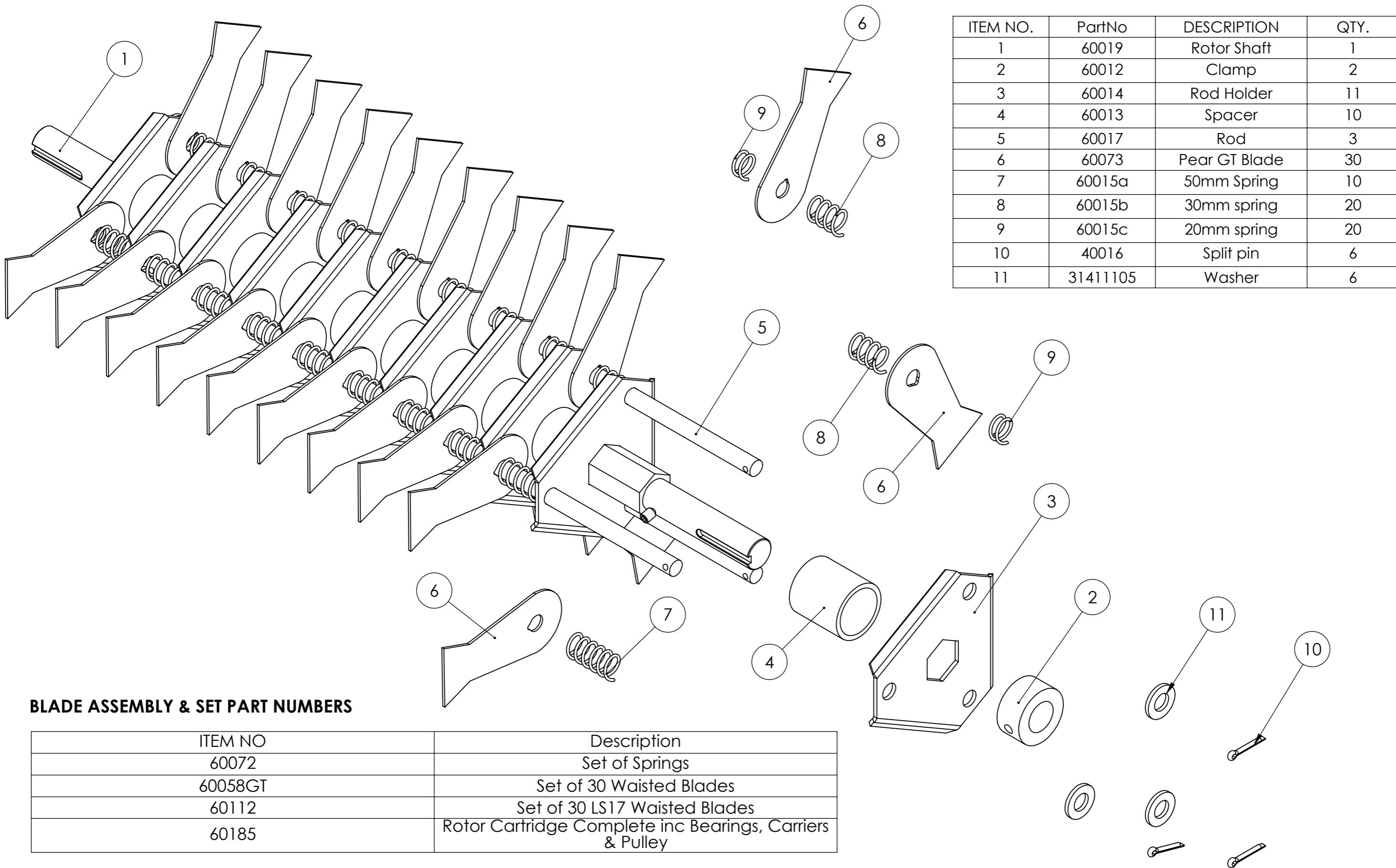
Aug 2010

SERIAL NUMBER

from 60000

REVISION

A



ITEM NO.	PartNo	DESCRIPTION	QTY.
1	60019	Rotor Shaft	1
2	60012	Clamp	2
3	60014	Rod Holder	11
4	60013	Spacer	10
5	60017	Rod	3
6	60073	Pear GT Blade	30
7	60015a	50mm Spring	10
8	60015b	30mm spring	20
9	60015c	20mm spring	20
10	40016	Split pin	6
11	31411105	Washer	6

BLADE ASSEMBLY & SET PART NUMBERS

ITEM NO	Description
60072	Set of Springs
60058GT	Set of 30 Waisted Blades
60112	Set of 30 LS17 Waisted Blades
60185	Rotor Cartridge Complete inc Bearings, Carriers & Pulley

Parts Diagram

CAMON LS42 Scarifier

Free Swinging Rotor Assembly

VALID FROM

Aug 2010

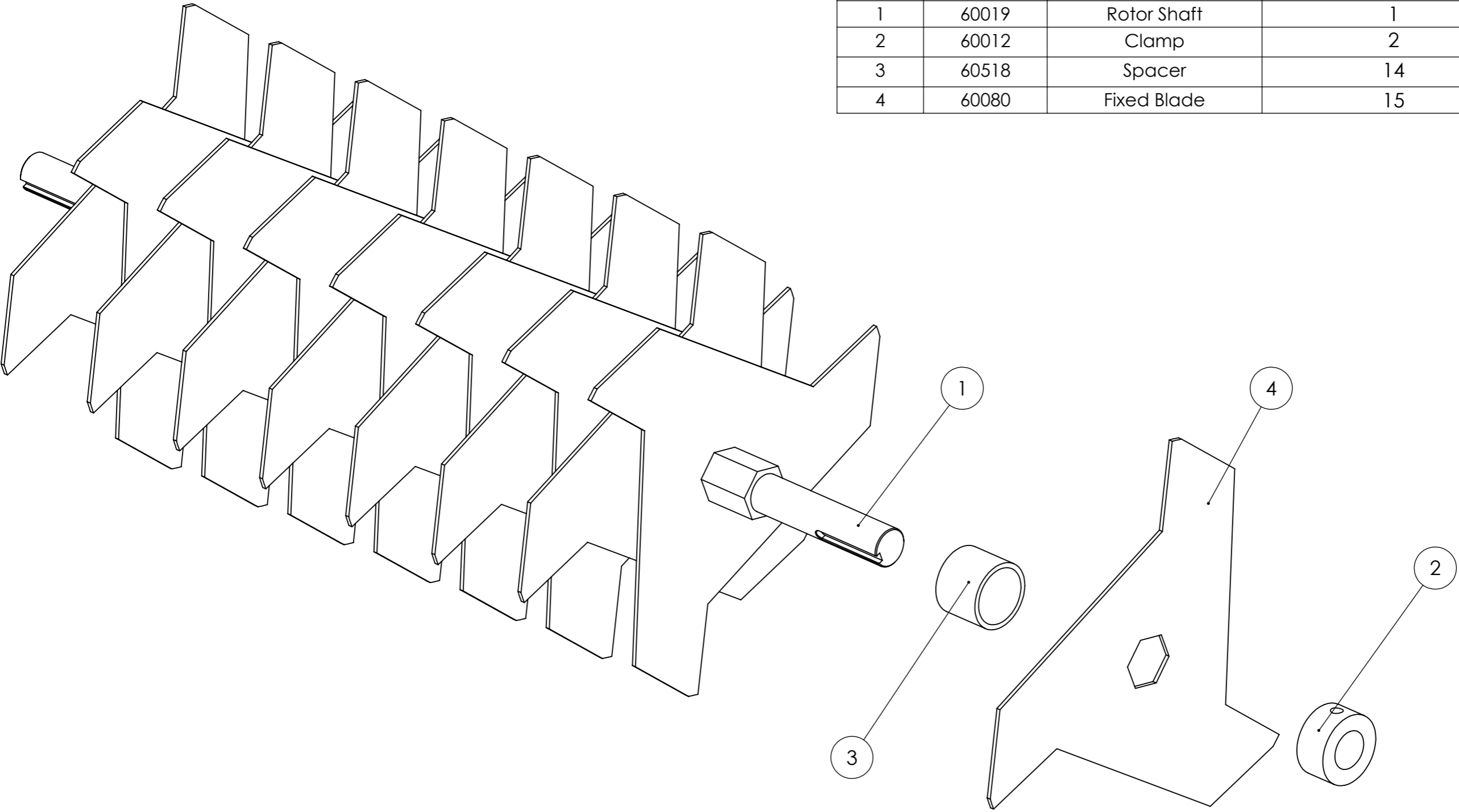
SERIAL NUMBER

from 60000

REVISION

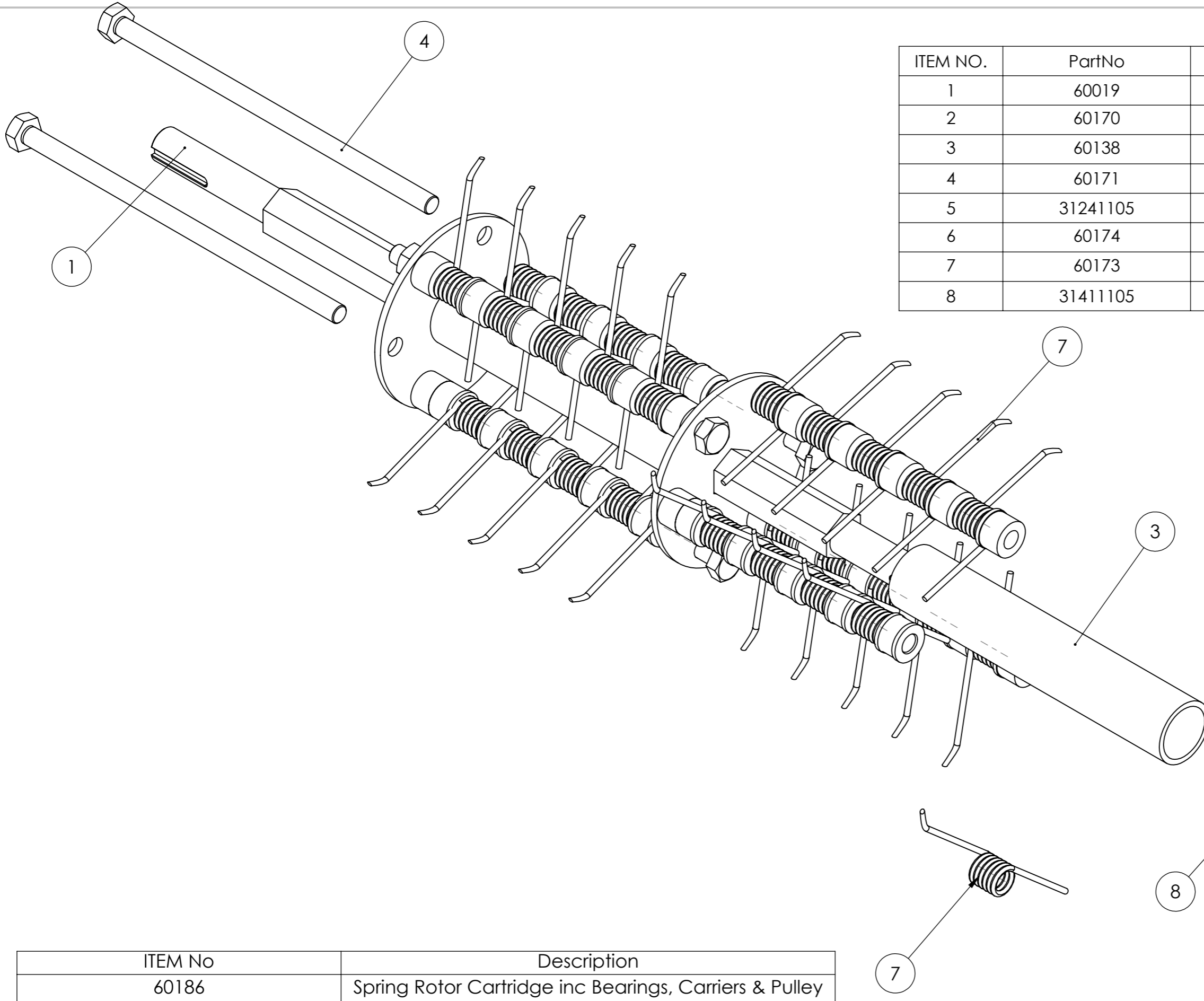
A

ITEM NO.	PartNo	DESCRIPTION	Rotor Assembly/QTY.
1	60019	Rotor Shaft	1
2	60012	Clamp	2
3	60518	Spacer	14
4	60080	Fixed Blade	15



ITEM No	Description
60180	Fixed Rotor Cartridge inc Bearings, Carrier & Pulleys

Parts Diagram CAMON LS42 Scarifier	Fixed Rotor Assembly	VALID FROM	Aug 2010
		SERIAL NUMBER	from 60000
		REVISION	A



ITEM NO.	PartNo	DESCRIPTION	QTY.
1	60019	Rotor Shaft	1
2	60170	Spring Rotor Spider	3
3	60138	Spacer	2
4	60171	Bolt	6
5	31241105	Metal Lock	6
6	60174	Spacer	36
7	60173	Spring Tine	30
8	31411105	Washer	40

ITEM No	Description
60186	Spring Rotor Cartridge inc Bearings, Carriers & Pulley

Parts Diagram

CAMON LS42 Scarifier

Spring Rotor Assembly

VALID FROM

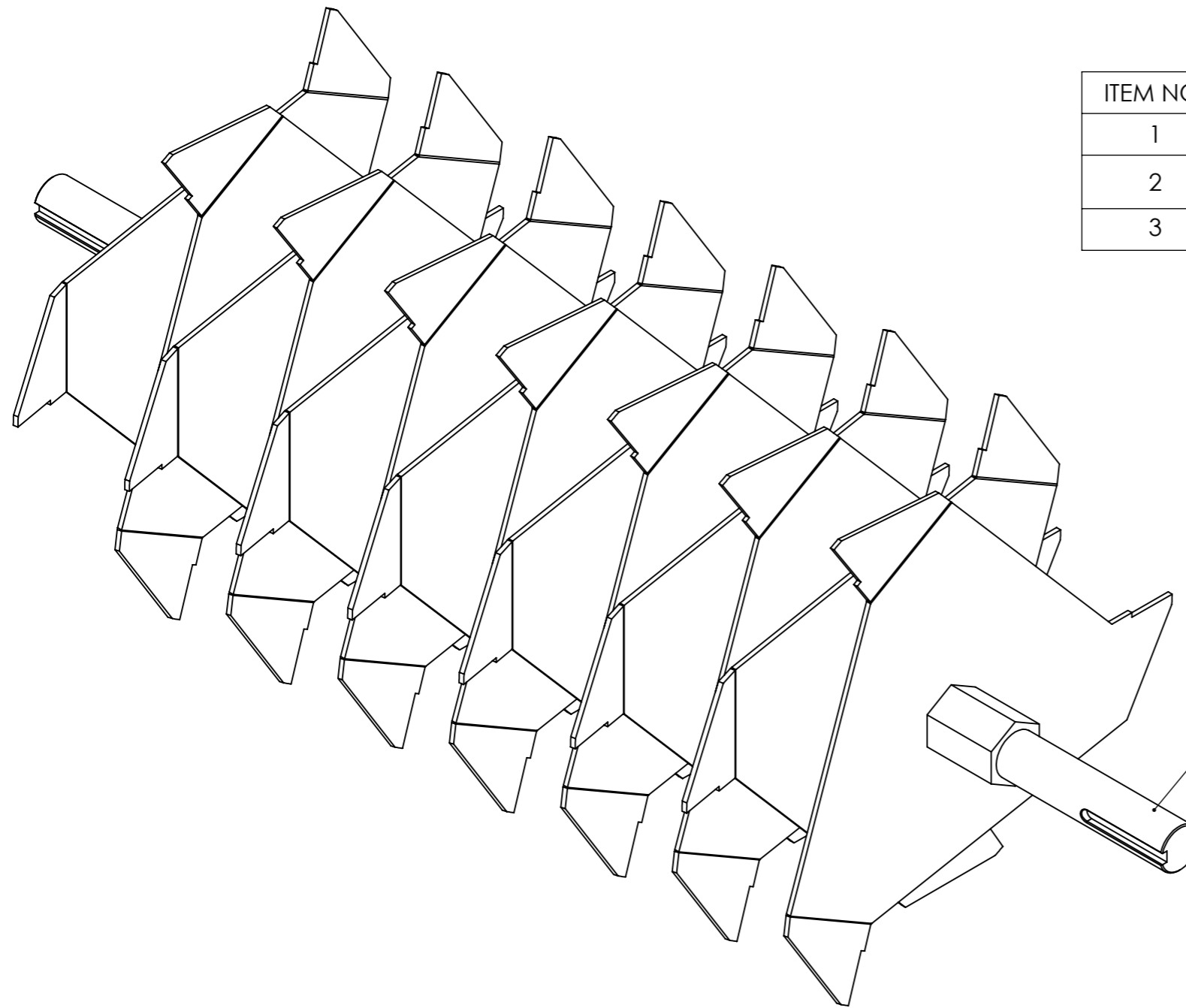
Aug 2010

SERIAL NUMBER

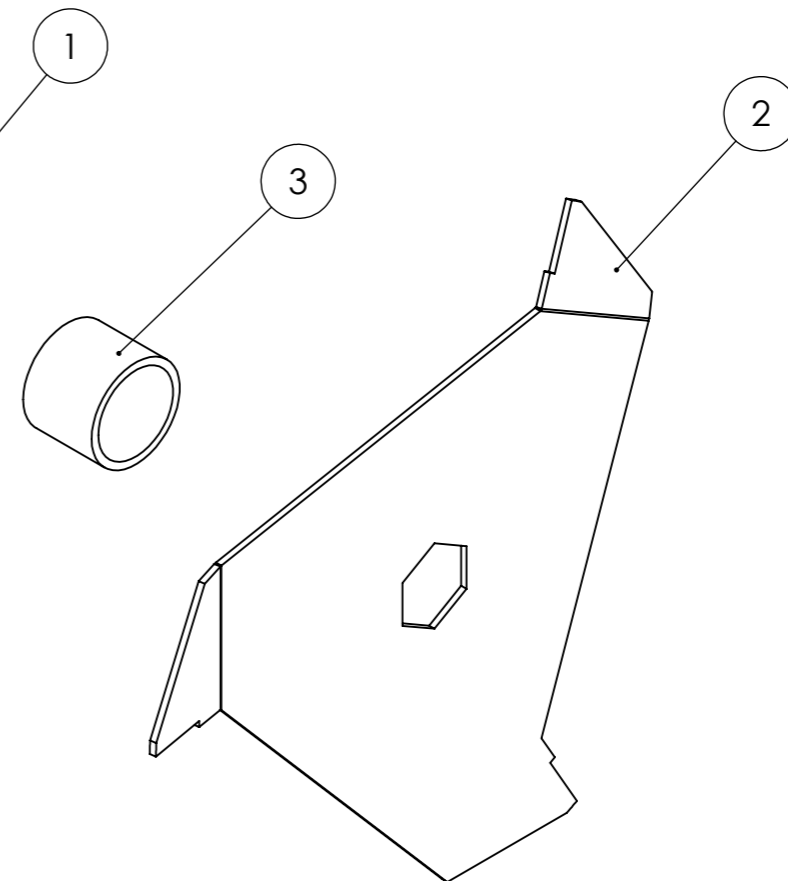
from 60000

REVISION

A



ITEM NO.	PartNo	DESCRIPTION	QTY.
1	60019	Rotor Shaft	1
2	60200	Renovation Blade	15
3	60518	Spacer	14



ITEM No	Description
60188	Renovation Rotor Cartridge inc Bearings, Carriers & Pulley

Parts Diagram
CAMON LS42 Scarifier

Renovation Rotor Assembly

VALID FROM	Aug 2010
SERIAL NUMBER	from 60000
REVISION	A