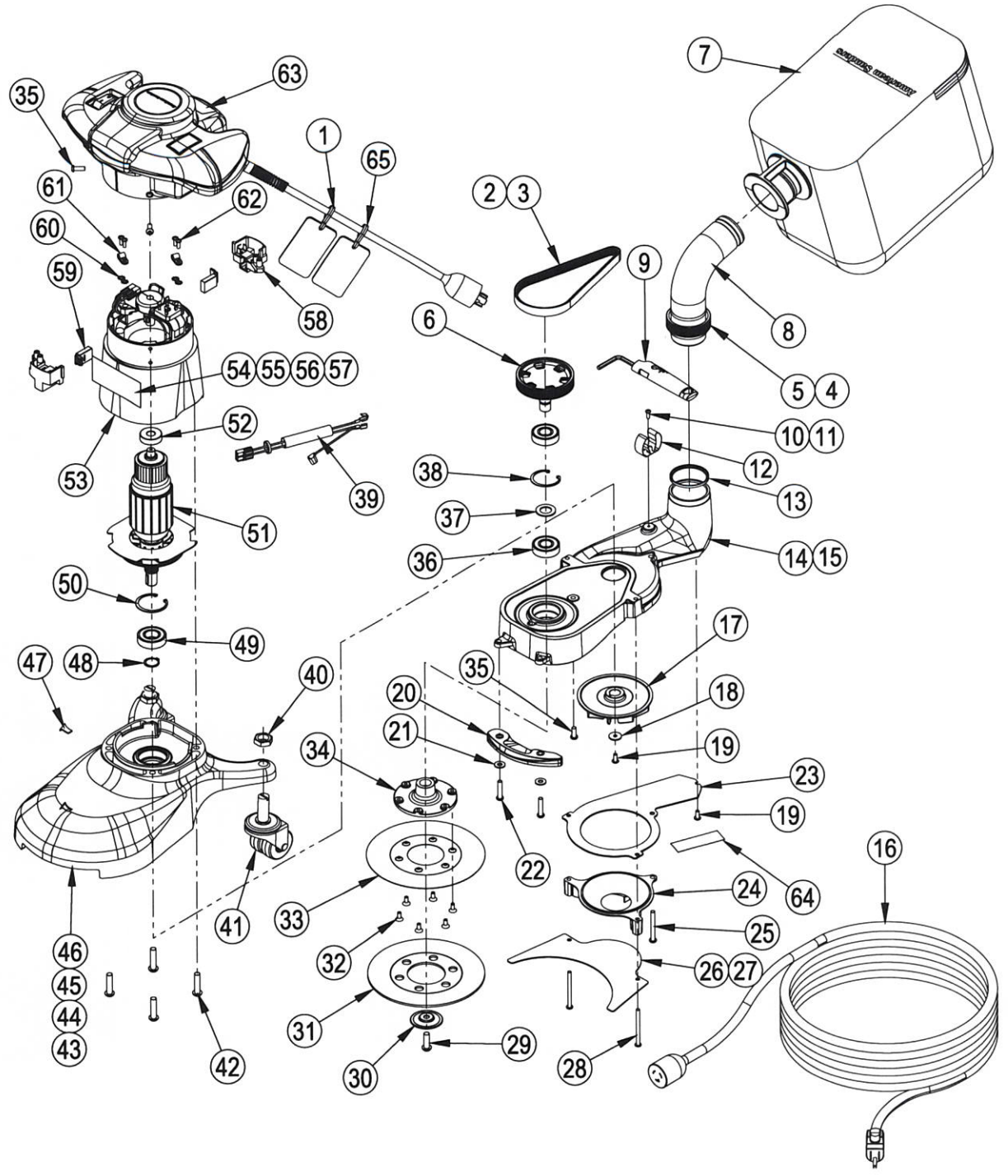


**CE7 Pro, SE7 Pro,
CE7 Pro+ & SE7 Pro+
Edgers
Operator's Manual**



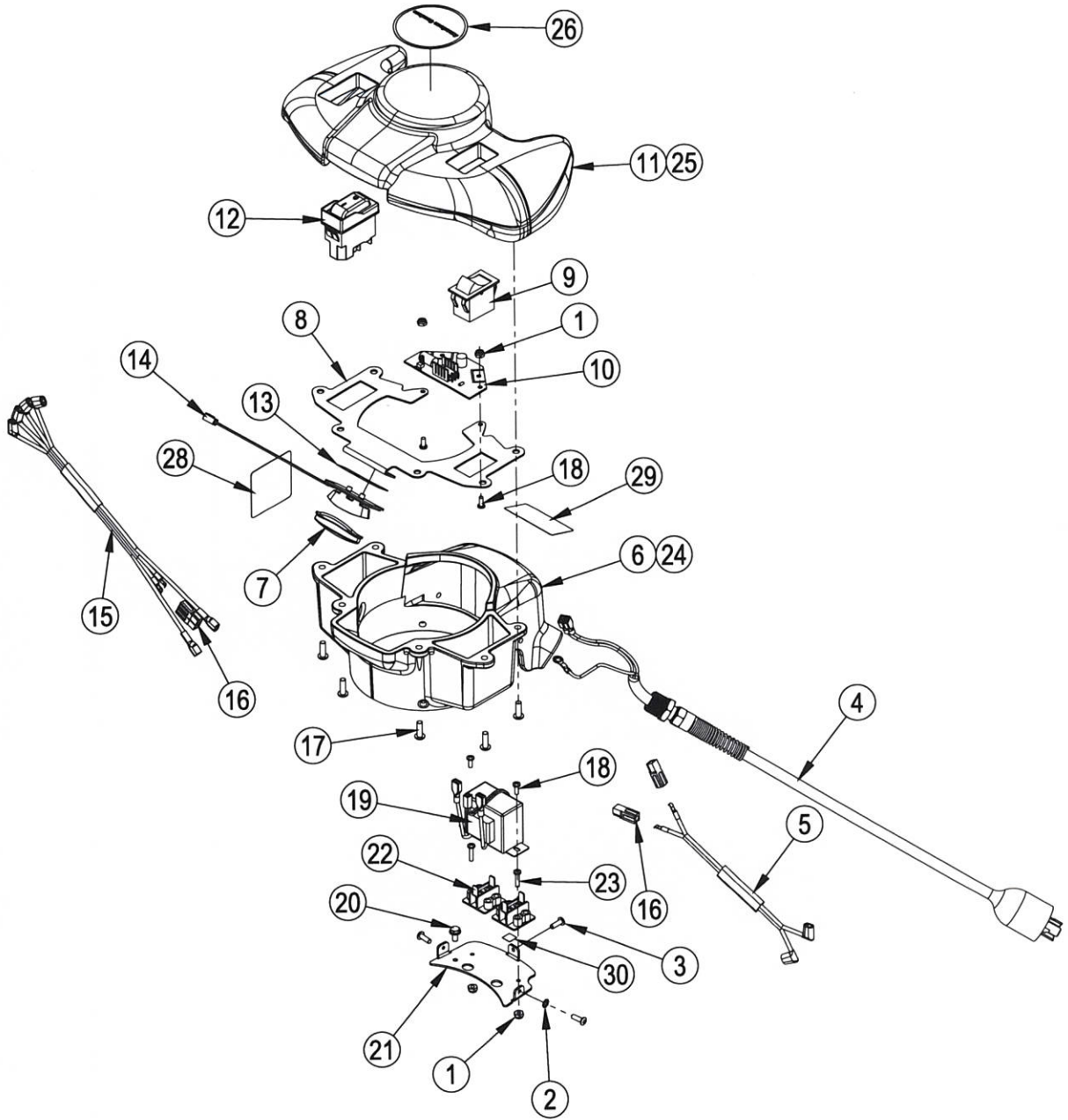
Assembly Drawing



Assembly Drawing

ItemRef.	No.	Qty	Description
	1		70175A
	1	1	Tag, Warning
	2		53772A
	1	1	Belt Extension CE7 (07170A, 07175A)
	3		53775A
	1	1	Belt Drive SE7 (07176A, 07180A)
	4		80276A
	1	1	Nut, Slip Joint 2" x 2"
	5		990507
	1	1	Loctite RC601
	6		29908A
	1	1	Pulley, Driver
	7		53544C
	1	1	Bag, Edger CE7/SE7
	8		61712A
	1	1	Tube, Exhaust, B-2
	9		39875A
	1	1	Multipurpose Tool
	10		80362A
	1	1	Screw, M4-.7 x 12 Btn Hd
	11		93801A
	1	1	Loctite Thread Locket
	12		61858A
	1	1	Clip, Steel 3/4" to 1-1/8"
	13		30613A
	2	2	Seal, Pipe
	14		29906A
	1	1	Support, Bearing (07170A, 07175A)
	15		29907A
	1	1	Support, Bearing (07176A, 07180A)
	16		42300A
	1	1	Cordset, 14-3 x 25' SO/SOW (07170A, 07176A)
	17		29902A
	1	1	Fan, CE/SE7 Dust
	18		80291A
	1	1	Washer, Flat #10
	19		80363A
	2	2	Screw, M5-.8X12 BT
	20		39867A
	1	1	Wall Guard
	21		980646
	2	2	Washer, 1/4" Flat
	22		80327A
	2	2	Screw, M6-1X30 Btn Hd
	23		61861A
	1	1	Baffle, Fan
	24		39866A
	1	1	Shroud, Fan
	25		80356A
	1	1	Screw, M6-1X50 Btn Hd
	26		61853A
	1	1	Plate, Bottom Dust (07170A, 07175A)
	27		61854A
	1	1	Plate, Bottom Dust (07176A, 07180A)
	28		80325A
	1	1	Screw, M5-.8X65 Btn Hd
	29		80357A
	1	1	Screw, M8-1.25X25 Btn Hd
	30		62411A
	1	1	Washer
	31		39864A
	1	1	Pad, Hook & Loop
	32		80364A
	6	6	Screw, M5-.8X12 FHSR
	33		61851A
	1	1	Sanding Disk
	34		29910A
	1	1	Hub, Pad Driver
	35		80326A
	5	5	Screw, M6-1X16 Btn Hd (qty of 4 on 07176A, 07180A)
	36		902550
	2	2	Bearing, Ball, 6203
	37		61860A
	1	1	Spacer, Pad Bearing
	38		L067304
	1	1	Ring, Retaining Internal
	39		40252A
	1	1	Speed Select Interconnect (07170A, 07176A)
	40		80361A
	2	2	Nut, M16-2 Hex Thin Jam
	41		39865A
	2	2	Caster and Yoke Assembly
	42		80358A
	4	4	Screw, M8-1.25X35 Btn Hd
	43		29904A
	1	1	Frame, Long Polished (07170A)
	44		29905A
	1	1	Frame, Long Charcoal Grey (07175A)
	45		29919A
	1	1	Frame, Short Polished (07176A)
	46		29920A
	1	1	Frame, Short Charcoal Grey (07180A)
	47		30188A
	1	1	Plug, Access Hole CE/SE 7
	48		877305
	1	1	Ring, Retaining EXT .781
	49		53771A
	1	1	Ball Bearing, 6004
	50		877304
	1	1	Ring, Retaining Internal
	51		11119A
	1	1	Armature CE/SE 7 120V
	52		51126A
	1	1	Bearing, 6201
	53		
	1	1	Motor Housing Assembly
	54		71464A
	1	1	Label, CE7 Pro+ (07170A)
	55		71465A
	1	1	Label, CE7 Pro (07175A)
	56		71466A
	1	1	Label, SE7 Pro+ (07176A)
	57		71467A
	1	1	Label, SE7 Pro (07180A)
	58		40717A
	2	2	Brush, Holder
	59		40583A
	2	2	Brush, Carbon Terminated
	60		980603
	4	4	Washer, #10 Lock Ext Tooth
	61		98464A
	2	2	Clamp, 1/4" Nylon Tubing (qty of 1 on 07175A & 07180A)
	62		962027
	4	4	Screw, 8-32X1/2 PH
	63		
	1	1	Handle Assembly
	64		56380639
	1	1	Decal-Prop 65
	65		70175A-FR
	1	1	Tag Warning Eng-Frn (07170A, 07176A)

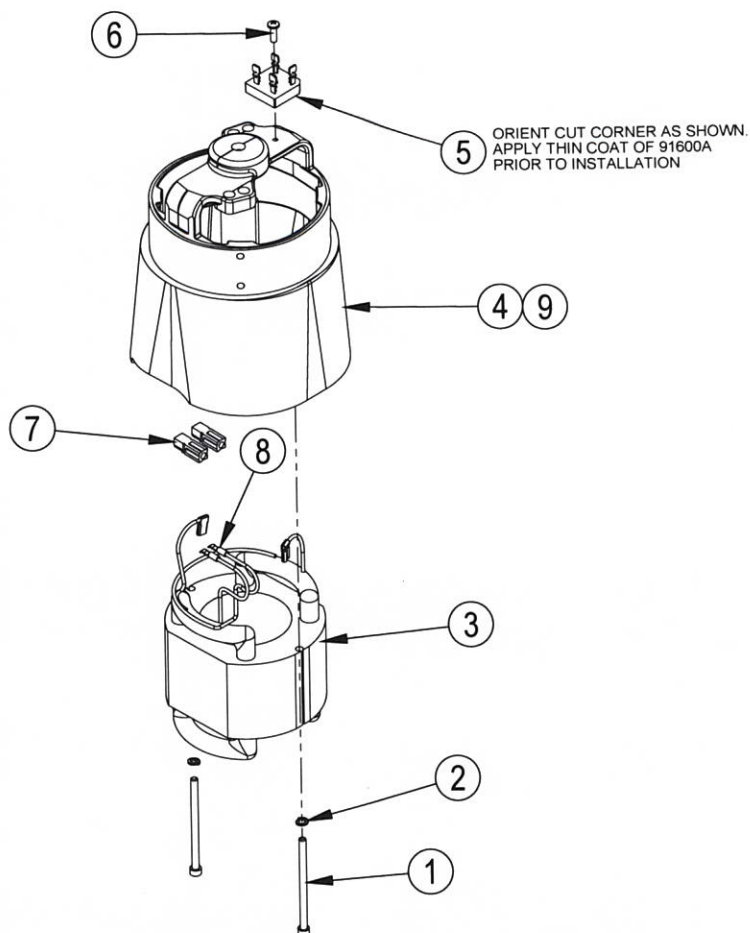
Handle Assembly



Handle Assembly

Item	Ref. No.	Qty	Description
1	920056	4	Nut, 6-32 E.S.N.A. Nylock (qty of 2 on 07175A & 07180A)
2	980621	1	Washer, Ext. Tooth Lock
3	962727	3	Screw, 8-32X1/2
4	40943A	1	Cord, Adapter
5	11344A	1	Speed Select, Wire Asm. (07170A, 07176A)
6	29912A	1	Handle, Lower Polished (07170A, 07176A)
7	39871A	1	Lens, Transparent Polycarbonate
8	61856A	1	Plate, Switch
9	47365A	1	Switch, Rocker (07170A, 07176A)
10	40947A	1	LED Power Regulator (07170A, 07176A)
11	29915A	1	Handle, Polished (07170A, 07176A)
12	40948A	1	Switch, 16A, 115V 60 Hz Coil
13	40265A	1	Tape, Thermally Conductive (07170A, 07176A)
14	40945A	1	LED Board and Wiring Asm. (07170A, 07176A)
15	11343A	1	Control Switch Wire, Asm.
16	43401A	4	Housing Connector (qty of 2 on 07175A & 07180A)
17	80324A	6	Screw, M5-.8X16 Btn Hd
18	85313C	4	Screw, PHMS 6-32X3/8 (07170A, 07176A)
19	40946A	1	Transformer Asm. 10:1 (07170A, 07176A)
20	85833A	1	10-32X3/8 HW Type 23
21	61855A	1	Plate, Support
22	41079A	2	Terminal Junction 1/4"X2 Tabs (07175A, 07180A)
23	962738	2	Screw, 6-32X5/8" P.H. (07175A, 07180A)
24	29913A	1	Handle, Lower Charcoal, Grey (07175A, 07180A)
25	39868A	1	Handle (07175A, 07180A)
26	71468A	1	Label, CAS
28	71468A	1	Insulation 2.10 Sq. X .015
29	56380216	1	Decal Power Tool Cautionary Marking
30	77094A	1	Label Ground Symbol

Motor Housing Assembly



MOTOR HOUSING ASSEMBLY

Item	Ref. No.	Qty	Description
1	86117A	2	Screw, 10-24X3 SHMS
2	980650	2	Washer, #10 Lock
3	40718A	1	Field 115V
4	29911A	1	Motor Housing, Polished (07170A, 07176A)
5	912287	1	Rectifier, Full Wave 50A 600V (07170A, 07176A)
6	962027	1	Screw, 8-32X1/2 PH (07170A, 07176A)
7	43401A	2	Housing, Connector
8	41809A	2	Contact, Housing Connector
9	29914A	1	Motor Housing, Charcoal Grey (07175A, 07180A)