



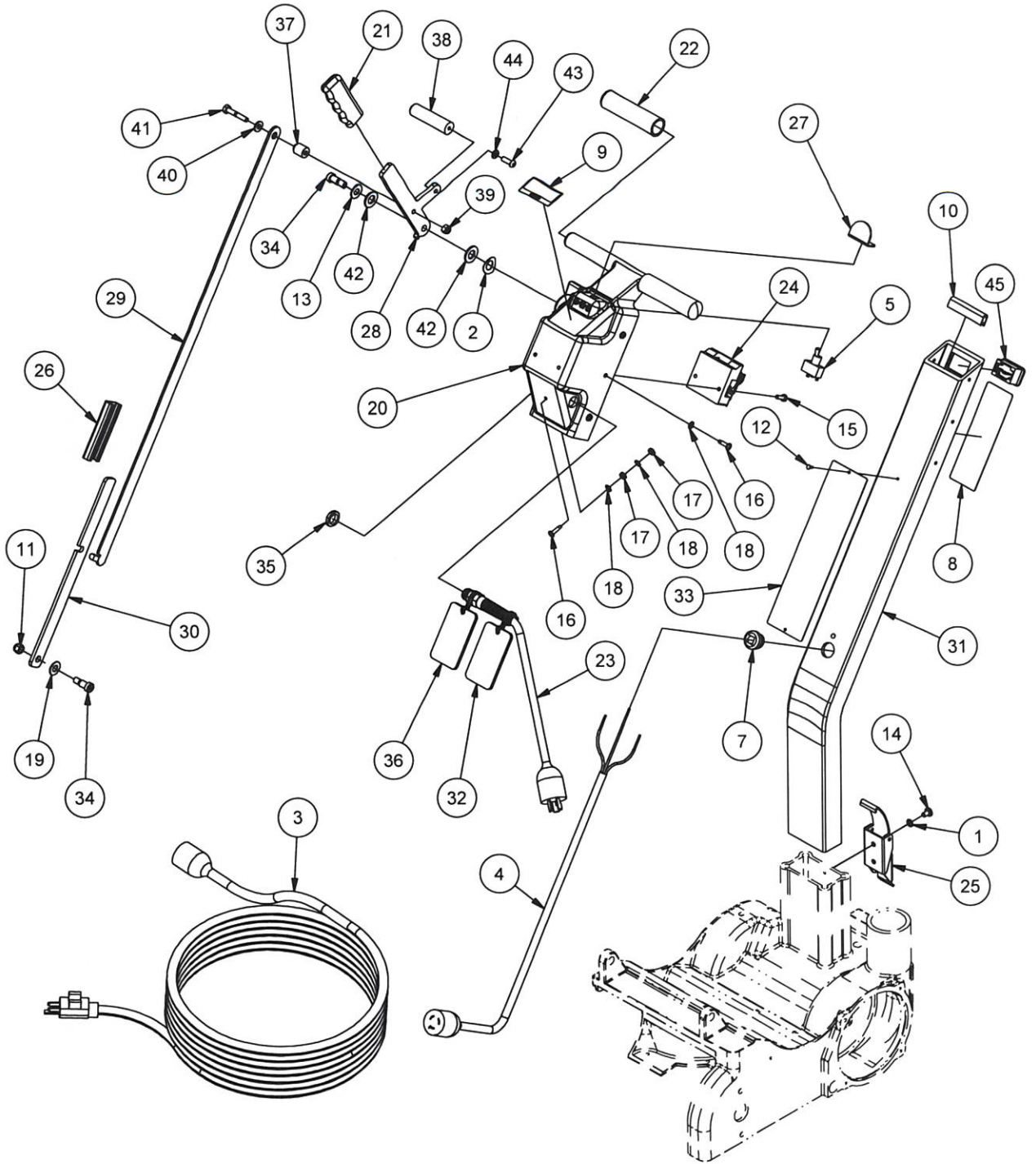
EZ-8 Sander



Drum Sander  
**EZ-8**  
Operator's Manual  
Original Instructions



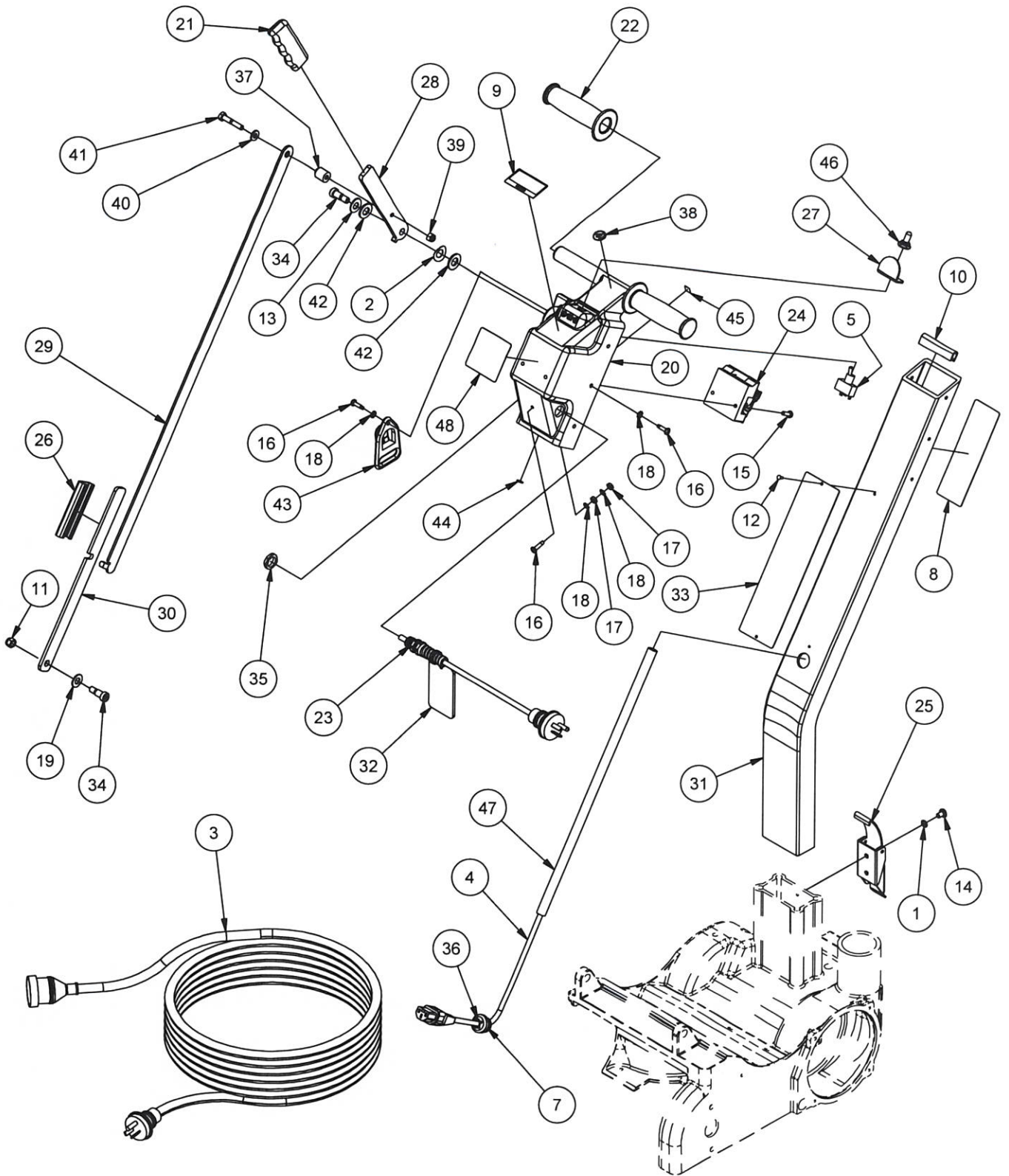
# HANDLE ASSEMBLY (07012A, 07058A, 07057A)



## HANDLE ASSEMBLY (07012A, 07058A, 07057A)

Parts List				Parts List				Parts List			
ITEM	QTY	PART NUMBER	DESCRIPTION	ITEM	QTY	PART NUMBER	DESCRIPTION	ITEM	QTY	PART NUMBER	DESCRIPTION
1	2	170892	WASHER LK 1/4 REGSS	24	1	41807A		1	2	170892	WASHER LK 1/4 REGSS
2	1	NB069300	WASHER, SPRING, .52 ID X .98 OD					24	1	41807A	
3	1	40540A	CORDSET, 12-3 X 40FT 5-15P (07012A)	25	1	55711A					
	1	42183A	CORD SETPOWER40FT EZ-8 (07058A, 07057A)	26	1	61659A		34	2	80026A	BOLT SHOULDER 3/8 X 1/2
				27	1	63928A		35	1	81210A	LOCKNUT, 3/8 CONDUIT
4	1	40543A	CORD INTERCONNECT w/ L6-15R (07012A)	28	1	MP473400		36	1	70175A-FR	TAG WARNING ENG-FRN (07058A, 07057A, 07012A)
	1	41948A	CORD INTERCONNECTING EZ-8 (07058A, 07057A,)		1	AS022300		37	1	MP473300	SPACER, LEVER, FEATHERING
5	1	47387B	SWITCH TOGGLE DP3T W/WIRES	29	1	65706A		38	1	MP473500	HANDLE, LEVER, FEATHERING
[6]	1	48905A	WIRE ASM RELAY 3 WHT EZ-8	30	1	65707A		39	1	NB3275	NUT, LOCK, 1/4"
7	1	51523A	BUSHING, STRAIN RELIEF	31	1	AS007700		40	1	NB3350	WASHER, FLAT, 1/4"
8	1	71347A	LABEL CCA WARNING (07058A, 07057A,					41	1	NB030500	BOLT, HEX, 1/4-20 X 1-1/2 SS
9	1	77299A	LABEL CAUTION EZ-8		1	69106A		42	2	NB018000	WASHER, FLAT, NYLON, 1/2"
10	2.6"	97100A	TRIM/VINYLBBLACK400 FT. SPOOL	32	1	70175A		43	1	NB049000	SCREW, BH, 1/4-20 X 3/4, SS
11	1	920110	NUT, 5/16-18 HEX LOCK	33	1	74052A		44	1	NB6110	WASHER, LOCK, 1/4"
12	2	930093	RIVET, POP, 1/8 X 1/4-5/16 POP STEEL	34	2	80026A		45	1	AS007800	METER, HOUR, AC/DC, DIGITAL (07012A)
				35	1	81210A					
13	1	NB025200	WASHER, FLAT, 3/8", SS	36	1	70175A-FR					
14	2	962094	SCR 1/4 -20X 3/8 RD ST MACH					[ ]	=	NOT SHOWN	
15	2	962109	SCREW, 10-24 X 5/8, PN, SS	37	1	MP473300					
16	7	962677	SCREW 10-24X 3/4 PN ST TP23 PH	38	1	MP473500					
17	2	MX1035	NUT, HEX, 10-24 UNC	39	1	NB3275					
18	8	980603	WASHER, LK 10 EXT TOOTH	40	1	NB3350					
19	1	980645	WASHER, 3/8" SAE, FLAT	41	1	NB030500					
20	1	24525A	CONTROL HOUSING	42	2	NB018000					
21	1	34609A	GRIP, CONTROL, LEVER, EZ-8	43	1	NB049000					
22	2	34610A	GRIP, 7/8 HANDLE	44	1	NB6110					
23	1	40541A	CORD ADAPTER EZ-8 (07012A)	45	1	AS007800					
	1	42183A	CORDSET POWER 40 FT EZ-8 (07058A)								
				[ ]	=	NOT SHOWN					

# HANDLE ASSEMBLY (07060A, 07084A)



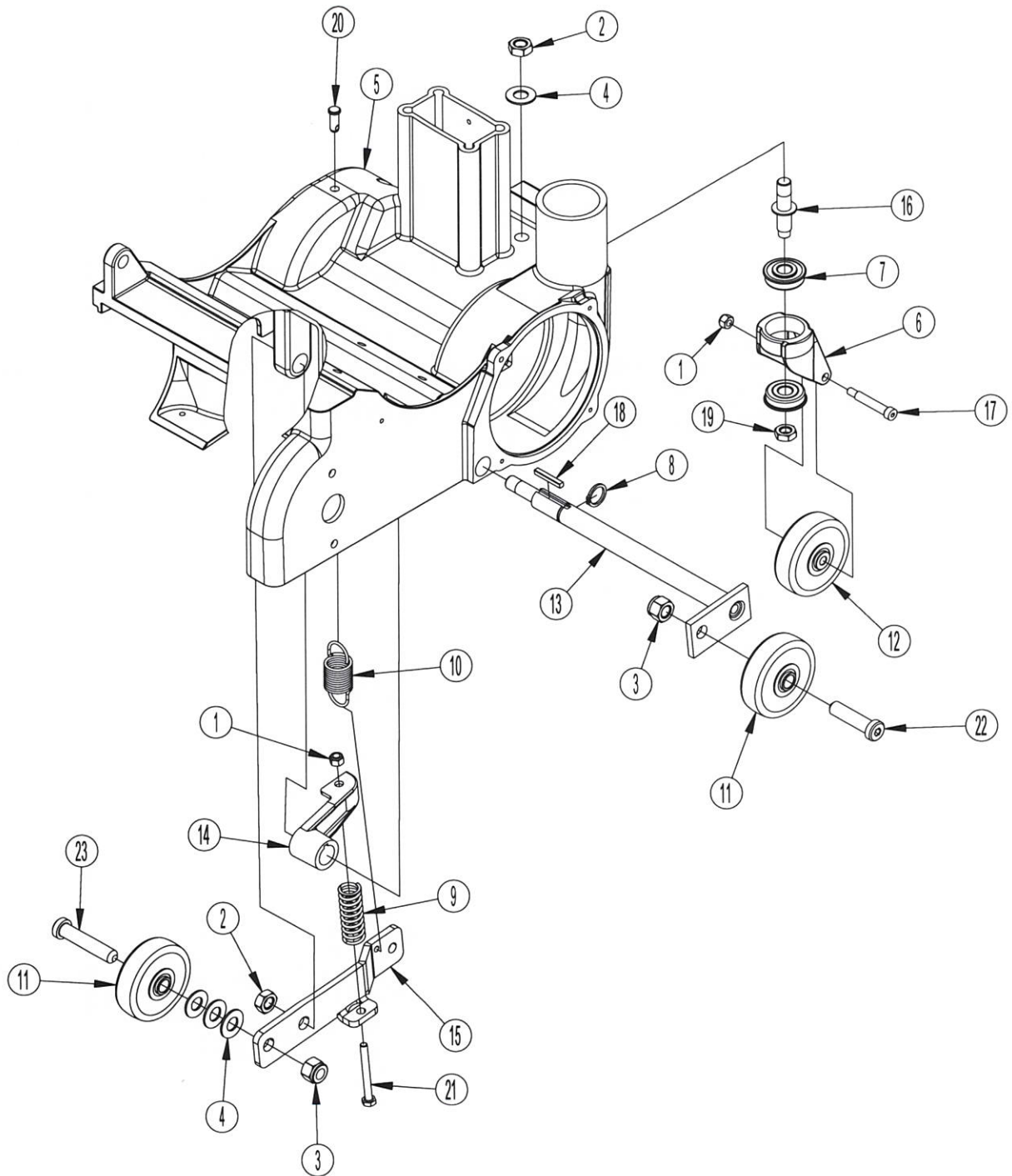


## HANDLE ASSEMBLY (07060A, 07084A)

Parts List			
ITEM	QTY	PART NUMBER	DESCRIPTION
1	2	170892	WASHER LK 1/4 REGSS
2	1	NB069300	WASHER, SPRING, .52 ID X .98 OD
3A	1	AS008300	CORDSET, 49 FEET, AUST.
3B	1	MP513000	CORD, POWER SUPPLY, CE, RED
4	1	AS008500	CORD, INTERCONNECT, EZ-8, AUSTRALIA
5	1	47387B	SWITCH TOGGLE DP3T W/WIRES
[6]	1	48905A	WIRE ASM RELAY 3 WHT EZ-8
7	1	51523A	BUSHING, STRAIN RELIEF
8	1	71347A	LABEL CCA WARNING
9	1	77299A	LABEL CAUTION EZ-8
10	2.6"	97100A	TRIM/VINYLBLACK400 FT. SPOOL
11	1	920110	NUT, 5/16-18 HEX LOCK
12	2	930093	RIVET, POP, 1/8 X 1/4-5/16 POP STEEL
13	1	NB025200	WASHER, FLAT, 3/8", SS
14	2	962094	SCR 1/4 -20X 3/8 RD ST MACH
15	2	962109	SCREW, 10-24 X 5/8, PN, SS
16	7	962677	SCREW 10-24X 3/4 PN ST TP23 PH
17	2	MX1035	NUT, HEX, 10-24 UNC
18	8	980603	WASHER, LK 10 EXT TOOTH
19	1	980645	WASHER, 3/8" SAE, FLAT
20	1	24525A	CONTROL HOUSING
21	1	34609A	GRIP, CONTROL, LEVER, EZ-8
22	2	MP366900	GRIP, HANDLE, 7/8", BLK
23A	1	AS008600	CORDSET, POWER, EZ-8, AUST.
23B	1	AS036400	CORD, PIGTAIL, EZ8, IEC
24	1	41808A	CONTACTOR 1.5HP 240V

Parts List			
ITEM	QTY	PART NUMBER	DESCRIPTION
25	1	55711A	LATCH DRAW
26	1	61659A	COLLAR CONTROL LINK
27	1	63928A	GUARD SWITCH
28	1	AS010100	LEVER, FEATHERING
29	1	65706A	LINK, CONTROL
30	1	65707A	LINK, CONTROL ADJUSTER
31	1	69106A	TUBE, HANDLE, EZ-8
32	1	70175A	TAG WARNING ENG-SPN
33	1	74052A	PLATE WARNING
34	2	80026A	BOLT SHOULDER 3/8 X 1/2
35	1	81210A	LOCKNUT, 3/8 CONDUIT
36	1"	NB072800	HEAT SHRINK, 3/4", BLACK, THICK WALL
37	1	MP473300	SPACER, LEVER, FEATHERING
38	1	AS006900	DECAL, "CONSULT OPER. MANUAL"
39	1	NB3275	NUT, LOCK, 1/4"
40	1	NB3350	WASHER, FLAT, 1/4"
41	1	NB030500	BOLT, HEX, 1/4-20 X 1-1/2 SS
42	2	NB018000	WASHER, FLAT, NYLON, 1/2"
43	1	AS009000	HOOK, TETHER, CORD, SUPPORT
44	1	AS006800	DECAL, "N"
45	1	77094A	LABEL, GROUND SYMBOL
46	1	AS006700	BOOT, TOGGLE, SWITCH
47	24"	NB045600	LOOM, SPLIT, 3/8" I.D., BLACK
48	1	AS012400	DECAL, HANDLE, EZ-8

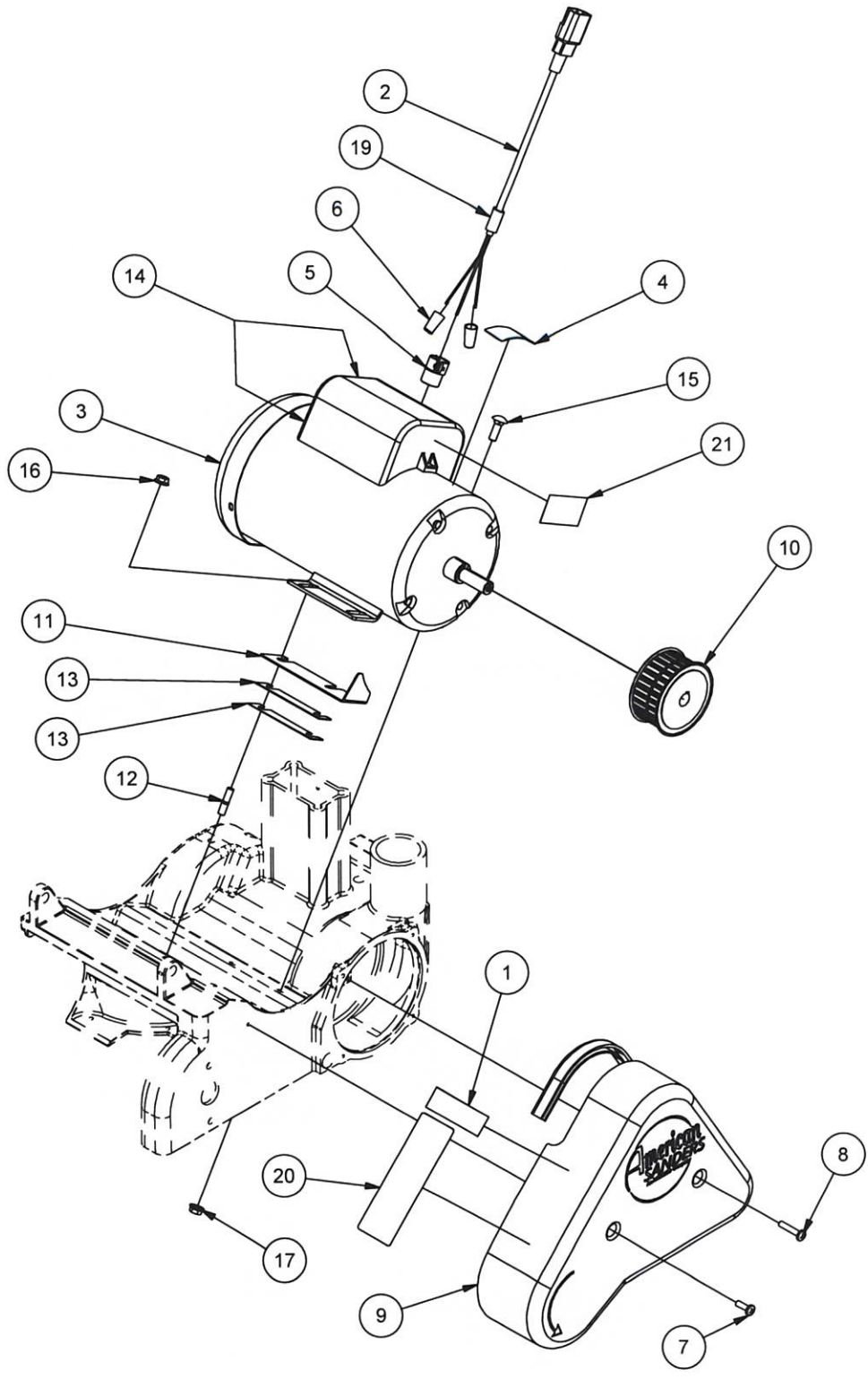
# BASE ASSEMBLY



## BASE ASSEMBLY

Item	Ref. No.	Qty	Description
1	920284	2	Nut Stop Elastic 1/4-20 Heavy
2	NB003100	2	Nut 1/2-13 Hex Jam
3	920365	2	Nut 1/2-13 Nylock
4	980648	4	Washer 17/32 X 1 1/16 Plain
5	25903A	1	Mainframe Ez-8
6	29405A	1	Yoke, Caster Ez-8
7	51194B	2	Bearing, Flanged 1.375x.500x.312
8	57423A	1	Retaining Ring External Sh .75 Heavy
9	58698A	1	Spring Compression Truck Level Ez-8
10	58699A	1	Spring Tension Drum Pressure Ez-8
11	59945A	2	Wheel Truck
12	59960A	1	Wheel Caster
13	60166A	1	Axle, Truck
14	60434B	1	Arm, Truck Level
15	60435A	1	Arm, Truck Lift
16	67468A	1	Shaft Caster
17	80012A	1	Bolt Shoulder 5/16 X 1 1/2
18	80501A	1	Key Mtr Shaft-3/16sq X 1 1/4
19	81307A	1	Nut 7/16-14 Hex Jam Ez-8
20	82504A	1	Pinclvis 5/16 X 3/4
21	85835A	1	Screw 1/4-20x2.50 Hhms
22	86113A	1	Screw 1/2-13x2.00 Low Head Soc Cap
23	86114A	1	Screw 1/2-13x2.50 Low Head Soc Cap

# MOTOR ASSEMBLY

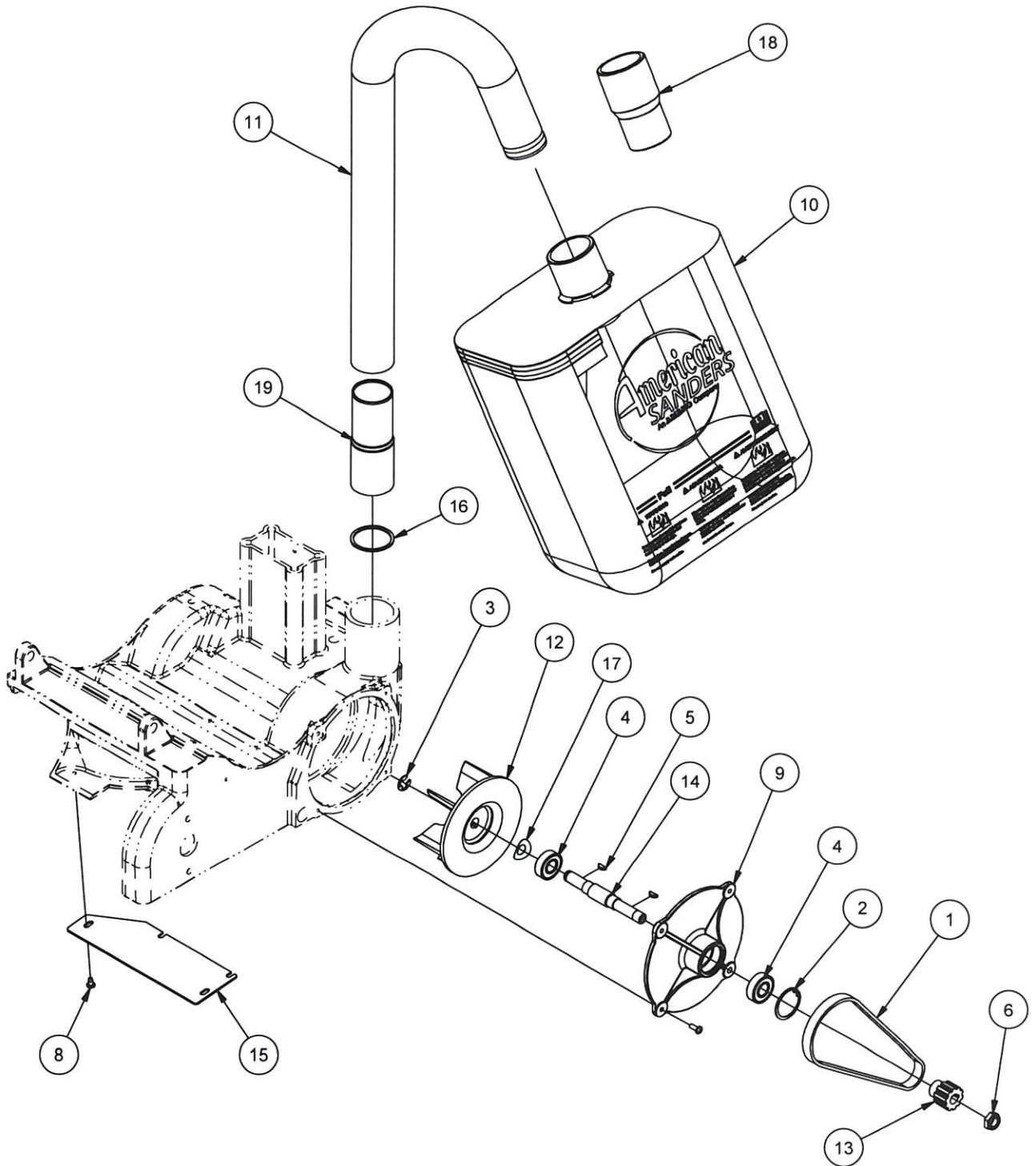




## MOTOR ASSEMBLY

Parts List			
ITEM	QTY	PART NUMBER	DESCRIPTION
1	1	56380639	DECAL PROP 65
2	1	AS008400	CORD, MOTOR, EZ-8, AUSTRALIA (07060A, 07084A)
	1	40542A	CORD, MOTOR W, L6-15P (07012A)
	1	41949A	CORD MOTOR EZ-8 (07058A, 07057A)
3	1	44642A	MOTOR 1.5 HP 115V/60HZ EZ-8 (07012A, 07058A, 07057A)
[ ]	1	41306A	CAPACITOR RUN 115V EZ-8
[ ]	1	41307A	CAPACITOR START 115V EZ-8
[ ]	1	47391A	SWITCH THERMAL 115V EZ-8
	1	44648A	MOTOR 1.5 HP 240V/50HZ EZ-8 (07060A, 07084A)
[ ]	1	AS010600	CAPACITOR, RUN, 230V, EZ-8, 440
[ ]	1	41309A	CAPACITOR START 240V EZ-8
[ ]	1	47392A	SWITCH THERMAL 230V 240V EZ-8
4	1	77234A	LABELWARNINGHEAVY OBJECT
5	1	170637	CONDUIT CONNECTOR 3/8" 2-SCREW
6	2	170667	CONNECTOR, WIRE NUT, 74B, YELLOW
7	1	962892	SCREW, 1/4-20 X 3/4 PN ST
8	1	962988	SCREW, 1/4-20 X 1-1/4, PN, ST, PH
9	1	29918A	GUARD BELT FA-8 EZ-8
10	1	61089A	PULLEY, FAN/DRUM
11	1	61807A	SHIELD GUARD FA-8
12	2	68015A	STUD 5/16-18X5/16-24X1.25 LONG
13	2	69031A	SHIM, MOTOR
14	2	70825A	LABEL, HDTR 2X5 (07012A)
15	2	80027A	BOLT RD HD SQ NECK 5/16X1
16	2	81208A	NUT, 5/16-24 HEX SERRATED FLANGE
17	2	81211A	NUT, 5/16-18 HEX SERRATED FLANGE
18	1	97100A	TRIM VINYL BLACK
19	1"	NB072800	HEAT SHRINK, 3/4", BLACK, THICK WALL (07060A, 07084A)
20	1	71347A	LABEL CCA WARNING
21	1	MP476500	DECAL, FUSE, TIME DELAY (07012A, 07057A, 07058A)

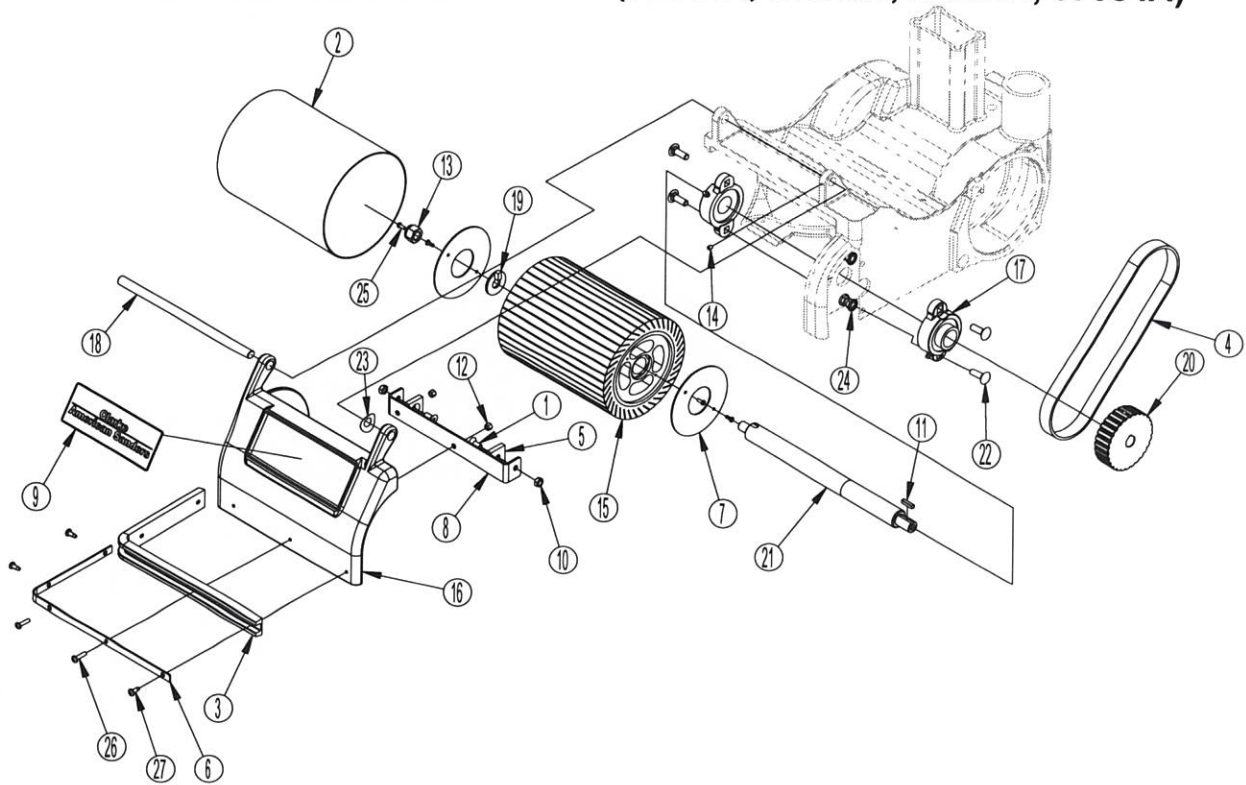
# DUST CONTROL ASSEMBLY



## DUST CONTROL ASSEMBLY

Parts List			
ITEM	QTY	PART NUMBER	DESCRIPTION
1	1	50917A	BELT FAN EZ-8
2	1	167312	RING, RETAINER, INTERNAL
3	1	877307	RING RETAINING .500 E STYLE
4	2	902567	BEARING BALL DOUBLE SEALED
5	2	915561	KEY 1/8 X 1/2 WOODRUFF
6	1	NB003100	NUT, HEX, 1/2"-13, JAM
7	3	962798	SCREW, 10-24 X 1/2 P.H.
8	4	962826	SCREW 10-24X 3/8 PN ST TP F PH
9	1	22122A	COVER FAN PNTD EZ-8
10	1	53741A	BAG, DUST, OBS-18
11	1	61897A	DUST TUBE
12	1	65005A	IMPELLER EZ-8
13	1	66159A	PULLEY FAN EZ-8
14	1	67457A	SHAFT EZ-8
15	1	67612A	DUST SHOE EZ-8
16	1	68285A	SUPPORT, TUBE
17	1	80295A	WASHER BOWED .516ID X 1.06OD
18	1	30563A	2" X 1.50" HOSE ADAPTOR (07057A, 07058A, 07060A, 07084A)
19	1	AS015400	TUBE, ADAPTER EZ-8 ( 07060A, 07084A)

## SANDING DRUM ASSEMBLY (07012A, 07058A, 07060A, 07084A)

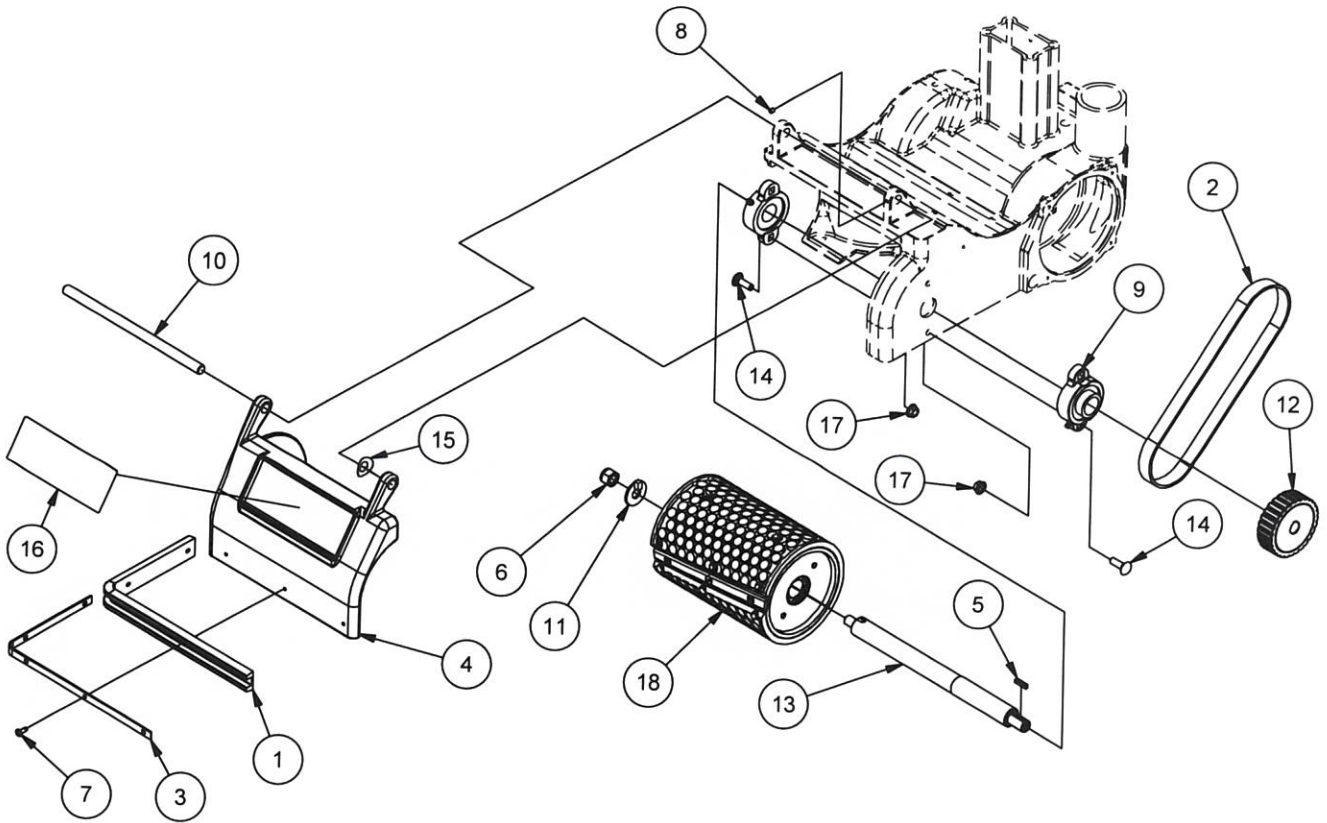


Item	Ref. No.	Qty	Description	Item	Ref. No.	Qty	Description
1	962505	2	Scr 1/4 -20x 5/8 Sf St Cap	17	51178B	2	Bearing Flange 1" 2 Hole
2	56382757	1	Abrasive Sleeve	18	64469A	1	Handle, Lifting
3	31223A	1	Bumper, Front	19	65310A	1	Key Washer (Ez-8)
4	50916A	1	Belt drum Ez-8	20	66161A	1	Pulley Drum
5	60906A	2	Block Wear Ez-8	21	67459A	1	Shaft Arbor
6	66948A	1	Retainerbumperpltd Ez-8	22	80027A	4	Bolt Rd Hd Sq Neck 5/16x1
7	68651A	2	Plate Drum End Ez-8 Sleeve	23	80295A	1	Washer Bowed
8	69098A	1	Strip Wear Ez-8	24	81211A	4	Nut, 5/16-18 Hex Serrated Flange
9	70488A	1	Nameplate, Ez-8	25	85313C	4	Screw Phms 6-32x3/8 Cross Recessed
10	81217A	2	Nut, 1/4-20 Hex Esna	26	85381A	2	Screw, 10-24 X .75 P.H.
11	915082	1	Key, 3/16 Sq. X 3/4"	27	85517A	3	Screw #10-24 X 1/2 PHCR Type 23
12	920296	2	Nut 10-24 Elastic Stop	*	65311A	1	Drum Asm. Kit Expanding (includes 7, 15, 25)
13	920365	1	Nut 1/2-13 Nylock	*	14663A	1	Wearstrip Kit EZ-8 (includes 1, 5, 8, 10, 12, 26)
14	962170	1	Screw 10-24x1/4 Hrss Cup Pt	*	56380352	1	Expander Drum Kit (includes 65311A & 14663A)
15	21011A	1	Drum Expansion Asm				
16	22123A	1	Cover, Front, (Ez-8)				

\* = Optional, Not Included



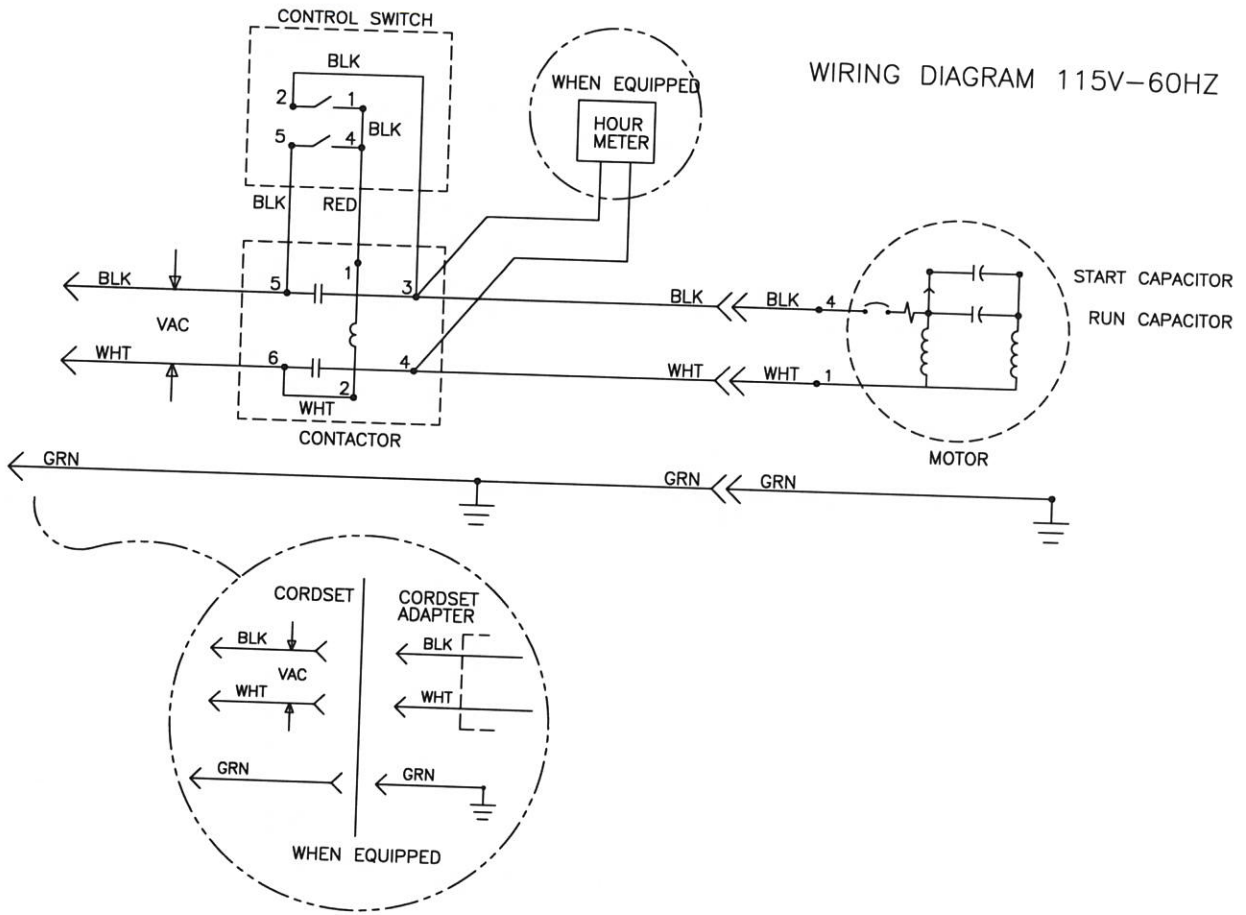
## SANDING DRUM ASSEMBLY (07057A)



Parts List			
ITEM	QTY	PART NUMBER	DESCRIPTION
1	1	31223A	BUMPER, FRONT
2	1	50916A	BELT, DRUM, EZ-8
3	1	66948A	RETAINER, BUMPER, PLTD, EZ-8
4	1	22123A	COVER, FRONT, (EZ-8)
5	1	915082	KEY, 3/16 SQ. X 3/4"
6	1	920365	NUT 1/2-13 NYLOCK
7	5	85517A	SCREW #10-24 X 1/2 PHCR TYPE 23
8	1	962170	SCREW 10-24X1/4 HRSS CUP PT
9	2	51178B	BEARING FLANGE 1" 2 HOLE
10	1	64469A	HANDLE, LIFTING
11	1	65310A	KEY WASHER (EZ-8)
12	1	66161A	PULLEY, DRUM, EZ-8
13	1	67459A	SHAFT ARBOR CLAMP DRUM EZ-8
14	4	80027A	BOLT RD HD SQ NECK 5/16X1
15	1	80295A	WASHER BOWED .516ID X 1.06OD
16	1	AS014600	NAMEPLATE, EZ-8
17	4	81211A	NUT, 5/16-18 HEX SERRATED FLANGE
18	1	13507A	DRUM ASM CLAMP STYLE EZ-8

# Wiring Diagram

WIRING DIAGRAM 115V-60HZ



WIRING DIAGRAM 240V-50HZ

