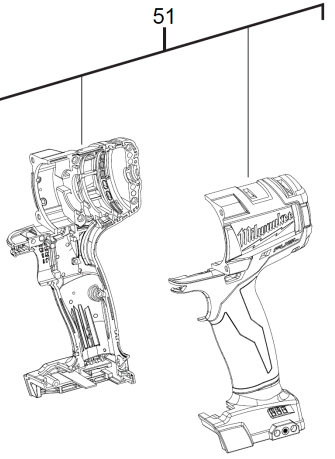
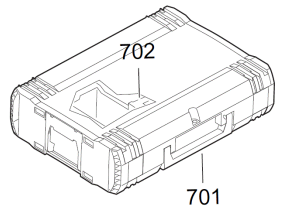
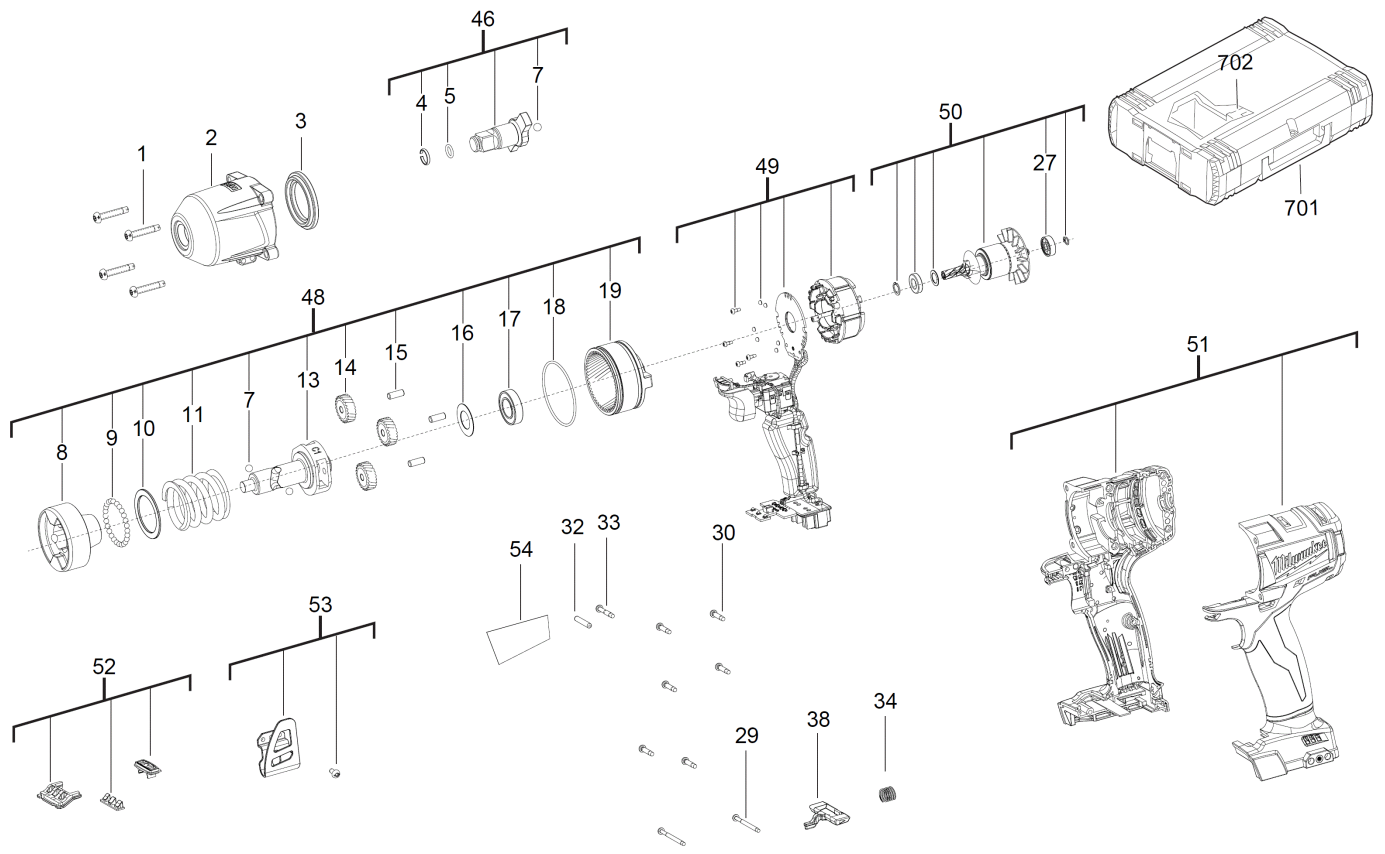


M18FMTIWF12-502X FMTF Impact Wrench GB2

4933459186 - M18FMTIWF12-502X GB2 - 4000458411





Position	Quantity	Description	Part number	EAN
	1	PART NOT DEATAILED	1000063920	
0001	4	SCREW	4931454838	4058546020125
0002	1	GEAR BOX ASSY	4931454839	4058546020132
0003	1	WASHER	4931454840	4058546020149
0004	1	CIRCLIP	4931416493	4002395898374
0005	1	O-RING	4931416492	4002395898367
0007	3	BALL	680595003	4002395823888
0008	1	HAMMER	4931454842	4058546020163
0009	28	BALL	4931453236	4002395153299
0010	1	WASHER	4931454843	4058546020170
0011	1	SPRING	4931454844	4058546020187
0013	1	SHAFT	4931454845	4058546020194
0014	3	PLANET WHEEL	4931454846	4058546020200
0015	3	BOLT	4931454847	4058546020217
0016	1	WASHER	4931454848	4058546020224
0017	1	BALL BEARING	4931454849	4058546020231
0018	1	O-RING	4931454850	4058546020248
0019	1	GEAR COVER	4931454851	4058546020255
0027	1	BALL BEARING	681286001	4002395824014
0029	2	SCREW	4931454852	4058546020262
0030	6	SCREW	4931454853	4058546020279
0032	1	PIN	4931436155	4002395881604
0033	1	SCREW	4931454854	4058546020286
0034	1	PRESSURE SPRING	4931408243	4002395814466
0038	1	PUSH-BUTTON	4931454855	4058546020293
0046	1	SHAFT	4931454864	4058546020385
0048	1	GEARWHEEL SET	4931454857	4058546020316
0049	1	ELECTRONIC ELEMENT	4931454865	4058546020392
0050	1	ARMATURE	4931454859	4058546020330
0051	1	HOUSING	4931454860	4058546020347
0052	1	LEVER	4931454861	4058546020354
0053	1	HOLDER	4931453252	4002395157556
0054	1	RATING PLATE	4931454866	4058546020408
0701	1	HD Box 1 - 1pc	4932453385	4002395146376
0702	1	INSERT	4931454863	4058546020378
	1	M12-18C UK COMBO CHARGER GB2	5131000000	
	2	M18B5 LI-ION BATTERY PACK 5.0AH XXX	4932430483	4002395381449