



## PART CATALOGUE

**G240F(D)**      **G240F(D)-B**  
**G240F(D)-C**      **G270F(D)**  
**G270F(D)-B**      **G270F(D)-C**  
**G340F(D)**      **G340F(D)-D**  
**G390F(D)**      **G390F(D)-D**  
**G420F(D)**



## 零件目录使用说明(Instruction for use of parts catalogue)

本零件目录是根据2011年1月所能得到的最新资料编制而成的。

This parts catalogue was prepared based on the latest information available as of August 2010.

请注意2010年8月以后本零部件目录的修订通知。

See the parts catalogue news for any revision that is made after August 2010.

当订购零件时，一定要明确指出其零件编号。

Always specify the part number when ordering a part.

注意本零件目录所给出的图形可能与实际零件外形有所不同。

Note that the illustrations can differ from the actual parts in shape.

当需要对零部件目录的内容进行更改或增加时，本公司将在适当的时间出版修订版，为保证在任何时候都可以使用到最新版本的零部件目录建议拥有最新的修订版本。如果要检查修订版本是否已经发行，请直接与LONCIN联系。

When modifications or additions to this parts catalogue are made, a revised edition will be issued at an appropriate time, We recommend obtaining such revisions in order to keep your parts catalogue up-to-date at all times. To check whether a parts catalogue revision has been issued, please contact your LONCIN distributor.

示例 (Example)

序号	零部件图号	零部件名称	Description	数量 (Reqd. QTY)		
				LC173F (G240F)	...	
No.	Part No.					
10	115303-154	滤芯密封垫	GROMMET, AIR CLEANER	1	...	
	115303-159	滤芯密封垫	GROMMET, AIR CLEANER	—	...	
12	115000-154	空滤器盖	COVER, AIR CLEANER	1(—)	...	
13	115000-154	空滤器盖	COVER, AIR CLEANER	—(1)	...	

LC173F(G240F)表示LC173F及G240F; [ LC173F(G240F) means LC173F and G240F ]

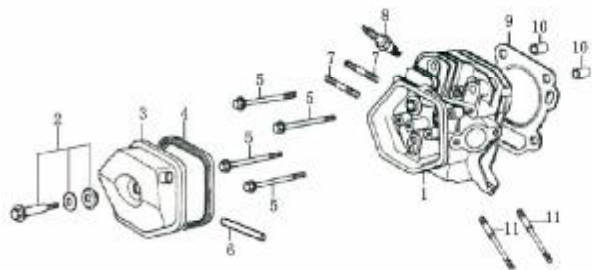
1 表示LC173F及G240F各1个; [ 1 means LC173F require 1 QTY and G240F require 1 QTY ]

— 表示LC173F没有, G240F也没有。 [ — means LC173F require 0 QTY and G240F require 0 QTY ]

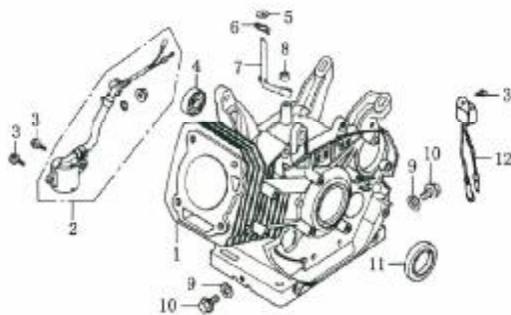
1(—) 表示LC173F有1个, G240F没有。 [ 1(—) means LC173F require 1 QTY and G240F require 0 QTY ]

—(1) 表示LC173F没有, G240F有1个。 [ —(1) means LC173F require 0 QTY and G240F require 1 QTY ]

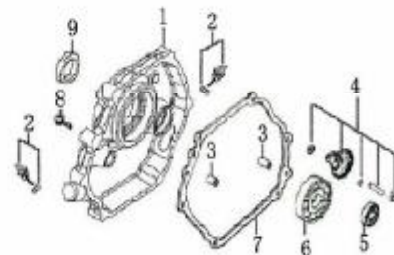
汽缸头 (CYLINDER HEAD)



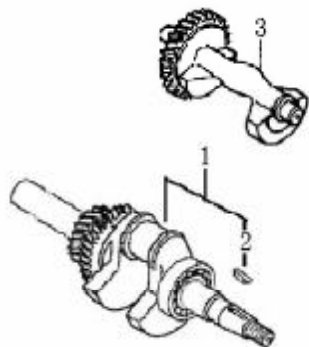
曲轴箱体(CRANKCASE)



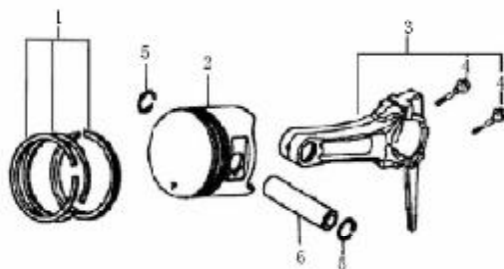
曲轴箱盖 (CRANKCASE COVER)



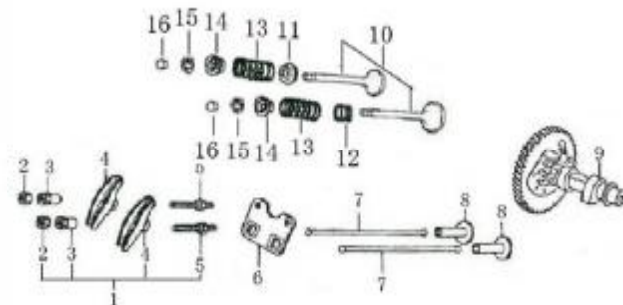
曲轴 (CRANKSHAFT)



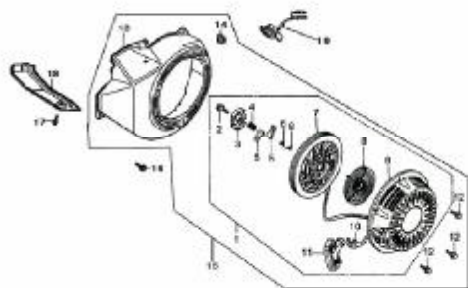
活塞连杆 (Piston/connecting rod)



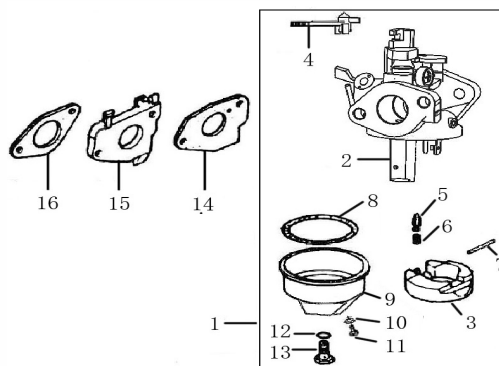
凸轮轴 (Camsshaft)



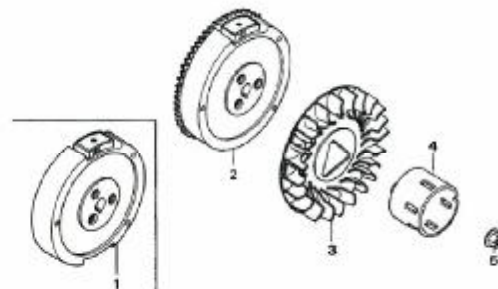
起动器 (Starter)



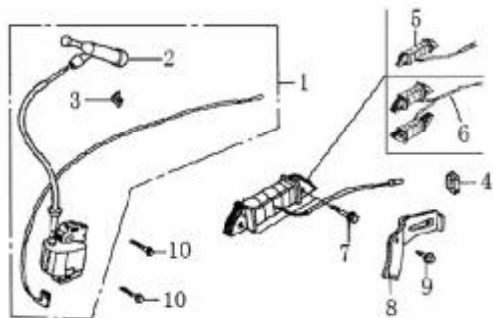
化油器 (CARBURETOR)



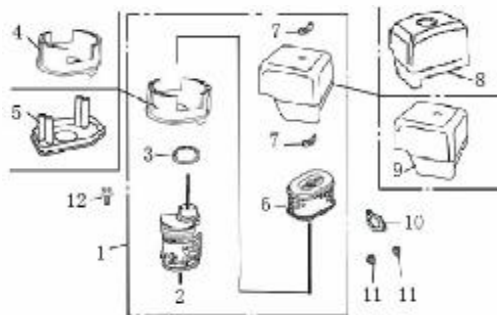
飞轮 (Flywheel)



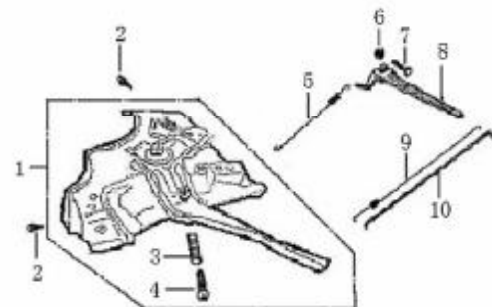
点火器 (Ignition Comp)



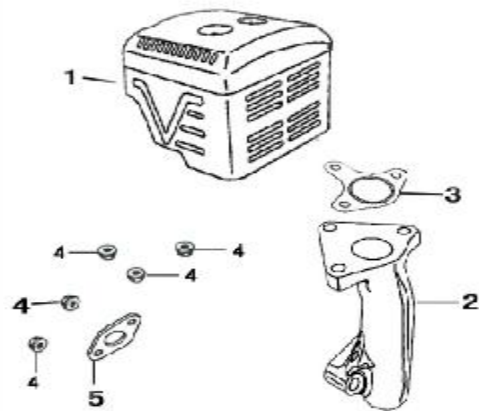
空滤器 (Air cleaner)



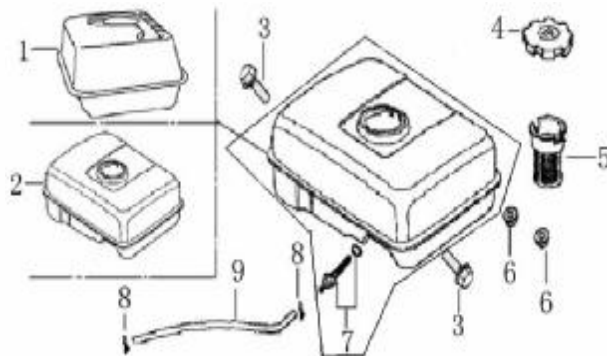
调速控制 (Control)



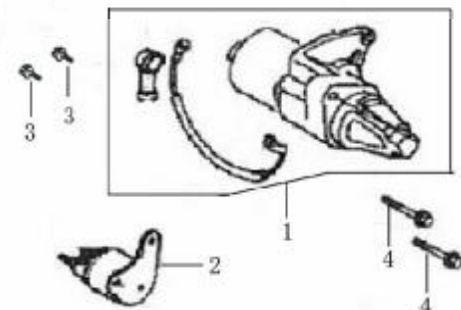
消声器 (Muffler)



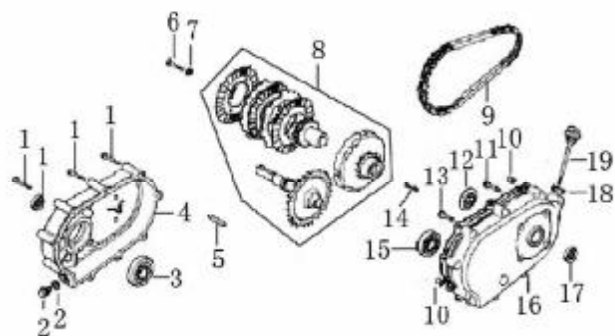
油箱 (Fuel tank)



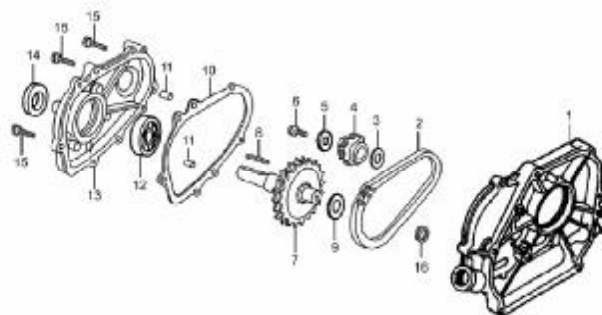
起动电机 (Starter motor)



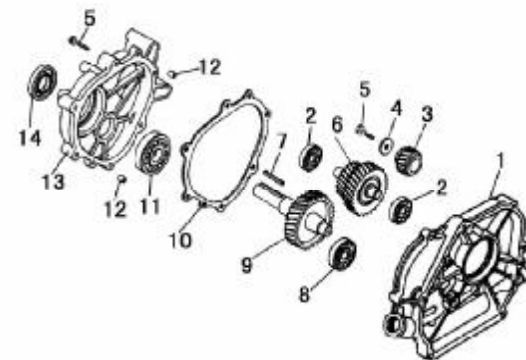
减速箱 (RETARDER)



减速箱 (RETARDER)

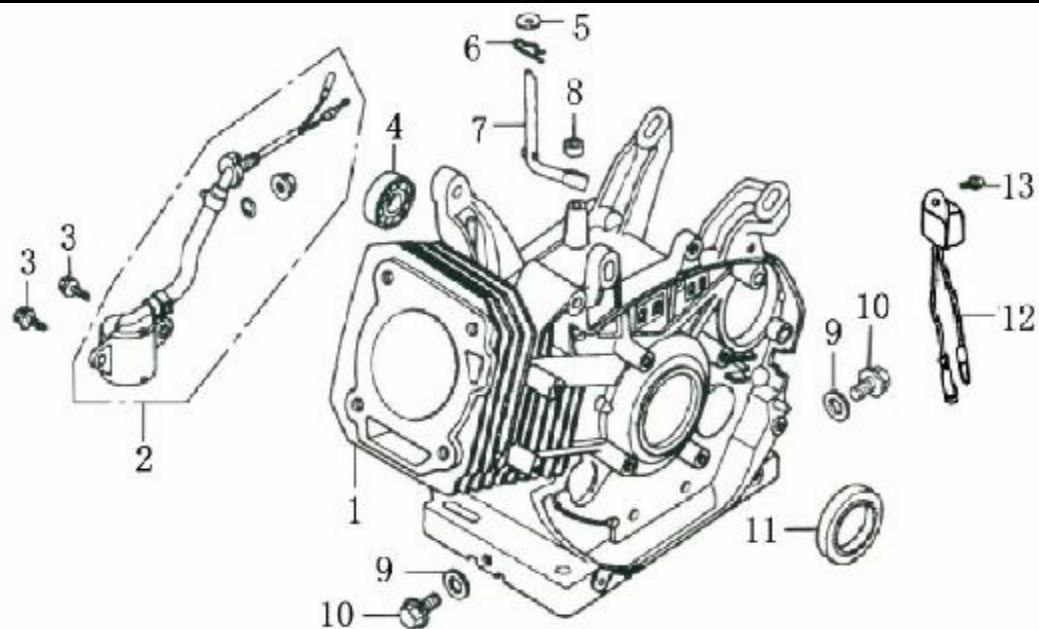


减速箱 (RETARDER)







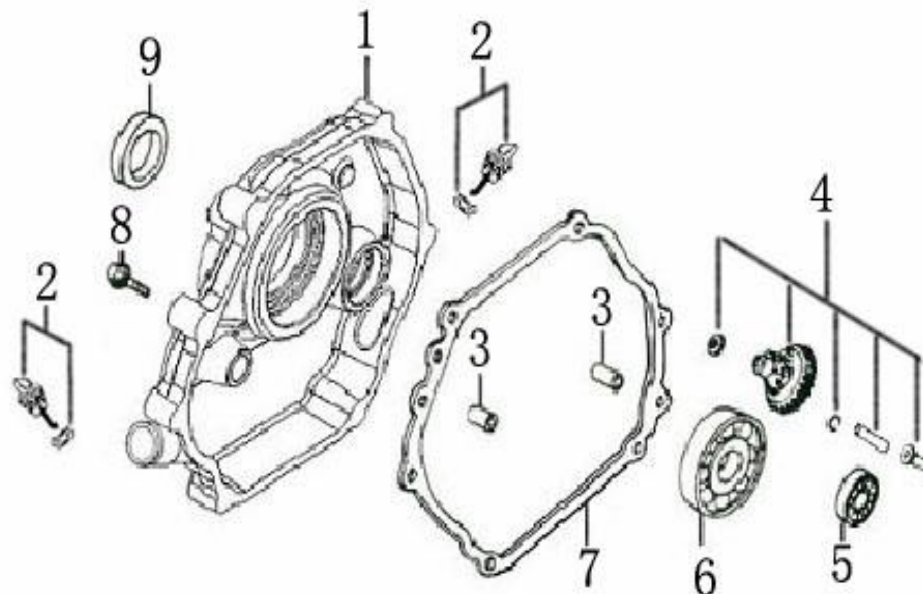


曲轴箱 (Crankcase)

序号 No.	零部件图号 Part No.	零部件名称	Description	数量 (Reqd. QTY.)									
				G240F	G240FD	G270F	G270FD	G340F	G340FD	G390F	G390FD	G420F	G420FD
1	110810008-T080	曲轴箱体	CRANKCASE	1	-	-	-	-	-	-	-	-	-
	110810009-T081	曲轴箱体	CRANKCASE	-	1	-	-	-	-	-	-	-	-
	110810010-T090	曲轴箱体	CRANKCASE	-	-	1	-	-	-	-	-	-	-
	110810011-T091	曲轴箱体	CRANKCASE	-	-	-	1	-	-	-	-	-	-
	110810012-T100	曲轴箱体	CRANKCASE	-	-	-	-	1	-	-	-	-	-
	110810013-T101	曲轴箱体	CRANKCASE	-	-	-	-	-	1	-	-	-	-
	110810014-T110	曲轴箱体	CRANKCASE	-	-	-	-	-	-	1	-	-	-
	110810015-T111	曲轴箱体	CRANKCASE	-	-	-	-	-	-	-	1	-	-
	110810028-T120	曲轴箱体	CRANKCASE	-	-	-	-	-	-	-	-	1	-
	110810035-T121	曲轴箱体	CRANKCASE	-	-	-	-	-	-	-	-	-	1
2	281850152-T110	油位传感器	SWITCH ASSY., OIL LEVEL	1	1	1	1	1	1	1	1	1	1
3	380140215-0003	螺栓 M6×14	BOLT, FLANGE, 6×14	2	2	2	2	2	2	2	2	2	2
4	380630099-0001	轴承6202	BEARING, RADIAL BALL, 6202	-	-	-	-	1	1	1	1	1	1
5	380450522-T110	平垫圈 8*16*1.2	WASHER, 8*16*1.2	1	1	1	1	1	1	1	1	1	1
6	381350004-T040	销夹	PIN, LOCK, 10MM	1	1	1	1	1	1	1	1	1	1
7	171630002-T080	调速臂	SHAFT, GOVERNOR ARM	1	1	1	1	-	-	-	-	-	-



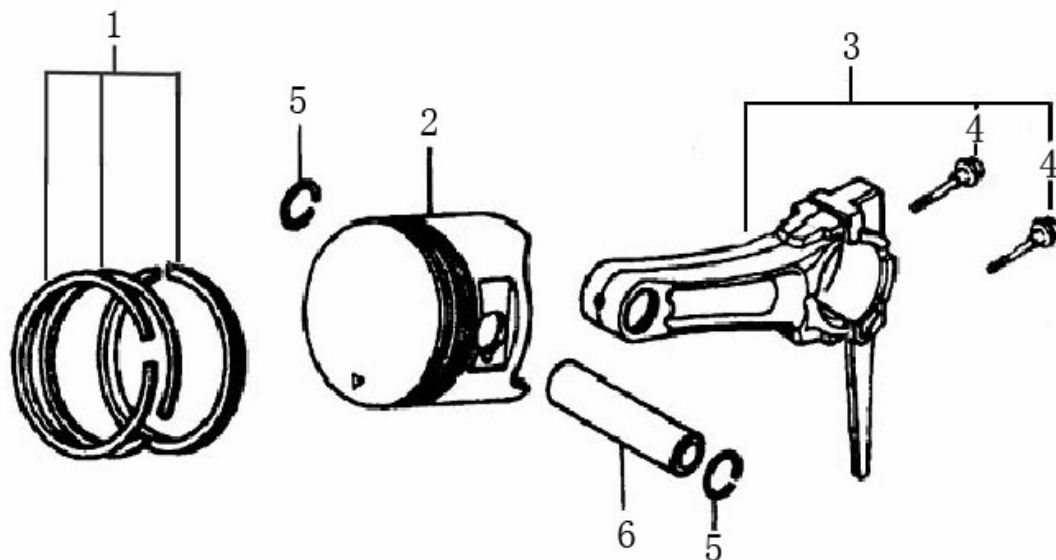




曲轴箱盖 (Crankcase cover)

序号 No.	零部件图号 Part No.	零部件名称	Description	数量 (Reqd. QTY.)									
				G240F	G240FD	G270F	G270FD	G340F	G340FD	G390F	G390FD	G420F	G420FD
1	110820004-T080	曲轴箱盖	CRANKCASE COVER	1	1	1	1	-	-	-	-	-	-
	110820016-T110	曲轴箱盖	CRANKCASE COVER	-	-	-	-	1	1	1	1	-	-
	110820047-T110	曲轴箱盖	CRANKCASE COVER	-	-	-	-	-	-	-	-	1	1
2	110690036-T190	机油尺组合	CAP ASSY	2	2	2	2	2	2	2	2	2	2
3	380600119-T110	定位销 $\phi 8 \times 12$	DOWEL PIN $\phi 8 \times 12$	2	2	2	2	2	2	2	2	2	2
4	171750008-T080	调速齿轮部件	GOVERNOR KIT	1	1	1	1	-	-	-	-	-	-
	171750004-T110	调速齿轮部件	GOVERNOR KIT	-	-	-	-	1	1	1	1	1	1
5	380630099-0001	轴承6202	BALL BEARING 6202	-	-	-	-	1	1	1	1	1	1
6	380630140-0002	轴承6206	BALL BEARING 6206	1	1	1	1	-	-	-	-	-	-
	380630141-0002	轴承6207	BALL BEARING 6207	-	-	-	-	1	1	1	1	1	1
7	110830010-T09F	曲轴箱盖密封垫	GASKET, CRANKCASE COVER	1	1	1	1	-	-	-	-	-	-
	110830008-T11D	曲轴箱盖密封垫	GASKET, CRANKCASE COVER	-	-	-	-	1	1	1	1	1	1
8	380140051-0005	六角头法兰面螺栓	BOLT, FLANGE 8X35	7	7	7	7	-	-	-	-	-	-
	380140005-0006	六角头法兰面螺栓	BOLT, FLANGE 8X40	-	-	-	-	7	7	7	7	7	7
9	380650336-T080	油封 $\phi 30 \times \phi 46 \times 8$	OIL SEAL $\phi 30 \times \phi 46 \times 8$	1	1	1	1	-	-	-	-	-	-
	380650337-T110	油封 $\phi 35 \times \phi 52 \times 7$	OIL SEAL $\phi 35 \times \phi 52 \times 7$	-	-	-	-	1	1	1	1	1	1





活塞连杆 (Piston/connecting rod)

序号 No.	零部件图号 Part No.	零部件名称	Description	数量 (Reqd. QTY.)									
				G240F	G240FD	G270F	G270FD	G340F	G340FD	G390F	G390FD	G420F	G420FD
1	130070080-T080	活塞环组合	RING SET, PISTON	1	1	-	-	-	-	-	-	-	-
	130070081-T090	活塞环组合	RING SET, PISTON	-	-	1	1	-	-	-	-	-	-
	130070082-T100	活塞环组合	RING SET, PISTON	-	-	-	-	1	1	-	-	-	-
	130070083-T110	活塞环组合	RING SET, PISTON	-	-	-	-	-	-	1	1	-	-
	130070088-T370	活塞环组合	RING SET, PISTON	-	-	-	-	-	-	-	-	1	1
2	130030082-T080	活塞	PISTON	1	1	-	-	-	-	-	-	-	-
	130030084-T090	活塞	PISTON	-	-	1	1	-	-	-	-	-	-
	130030085-T100	活塞	PISTON	-	-	-	-	1	1	-	-	-	-
	130030087-T110	活塞	PISTON	-	-	-	-	-	-	1	1	-	-
	130030103-T190	活塞	PISTON	-	-	-	-	-	-	-	-	1	1
3	130150040-T080	连杆	CONNECTING ROD ASSY	1	1	1	1	-	-	-	-	-	-
	130150043-T110	连杆	CONNECTING ROD ASSY	-	-	-	-	1	1	1	1	-	-
	130150049-T190	连杆	CONNECTING ROD ASSY	-	-	-	-	-	-	-	-	1	1
4	130180002-T110	连杆螺栓	BOLT, CONNECTING ROD	2	2	2	2	2	2	2	2	2	2
5	380560056-T040	钢丝挡圈	CLIP, PISTON PIN	2	2	2	2	-	-	-	-	-	-
	380560057-T110	钢丝挡圈	CLIP, PISTON PIN	-	-	-	-	2	2	2	2	2	2













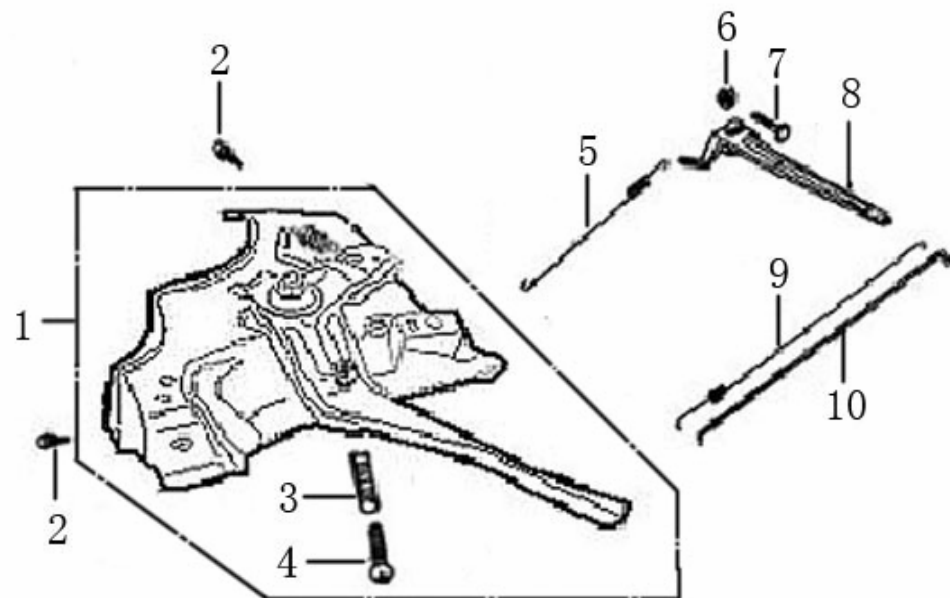












调速控制 (Control)

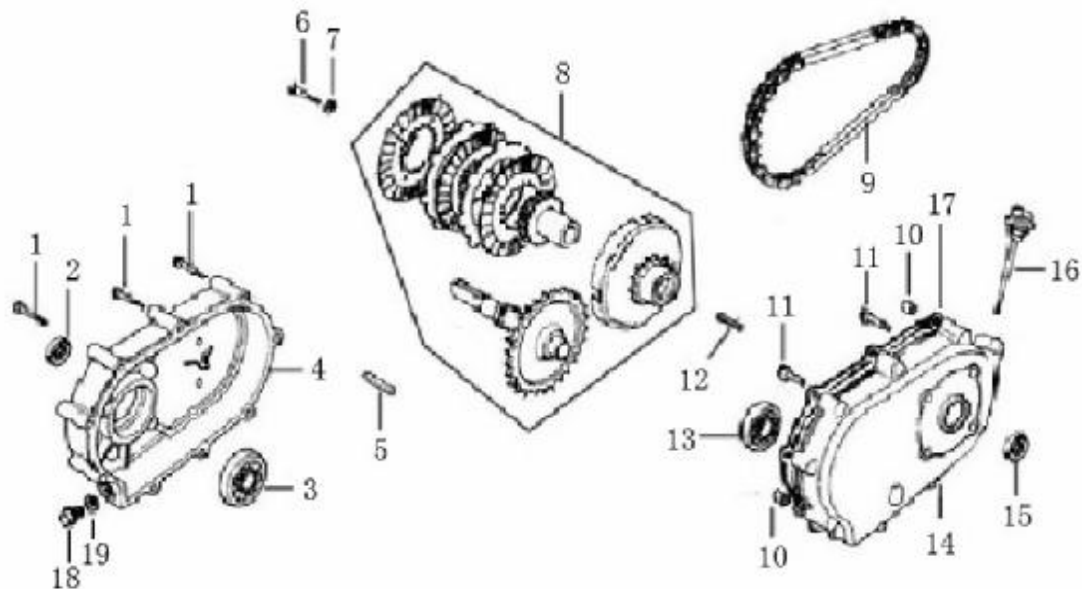
序号 No.	零部件图号 Part No.	零部件名称	Description	数量 (Reqd. QTY.)									
				G240F	G240FD	G270F	G270FD	G340F	G340FD	G390F	G390FD	G420F	G420FD
1	171680007-T080	油门操纵手柄组合	CONTROL ASSY.	1	1	1	1	-	-	-	-	-	-
	171680008-T110	油门操纵手柄组合	CONTROL ASSY.	-	-	-	-	1	1	1	1	1	1
2	380140001-0006	六角头法兰面螺栓	BOLT, FLANGE, M6X12	2	2	2	2	2	2	2	2	2	2
3	171660002-T110	调速限位簧	SPRING, CONTROL ADJUSTING	1	1	1	1	1	1	1	1	1	1
4	380200017-0005	十字槽盘头螺钉	SCREW, M5×35	1	1	1	1	1	1	1	1	1	1
5	171600006-T080	调速弹簧	SPRING, CABLE RETURN	1	1	1	1	-	-	-	-	-	-
	171600001-T110	调速弹簧	SPRING, CABLE RETURN	-	-	-	-	1	1	1	1	1	1
6	380370048-0001	六角法兰面螺母	NUT, FLANGE M6	1	1	1	1	1	1	1	1	1	1
7	380250002-T040	方头平端紧定螺钉	BOLT, QUADRATE HEAD	1	1	1	1	1	1	1	1	1	1
8	171620002-T080	调速支架	ARM, GOVERNOR	1	1	1	1	-	-	-	-	-	-
	171620003-T110	调速支架	ARM, GOVERNOR	-	-	-	-	1	1	1	1	1	1
9	171610001-T110	节气门复位弹簧	SPRING, THROTTLE RETURN	1	1	1	1	1	1	1	1	1	1
10	171590003-T080	油门拉杆	ROD, GOVERNOR	1	1	1	1	-	-	-	-	-	-
	171590005-T110	油门拉杆	ROD, GOVERNOR	-	-	-	-	1	1	1	1	1	1









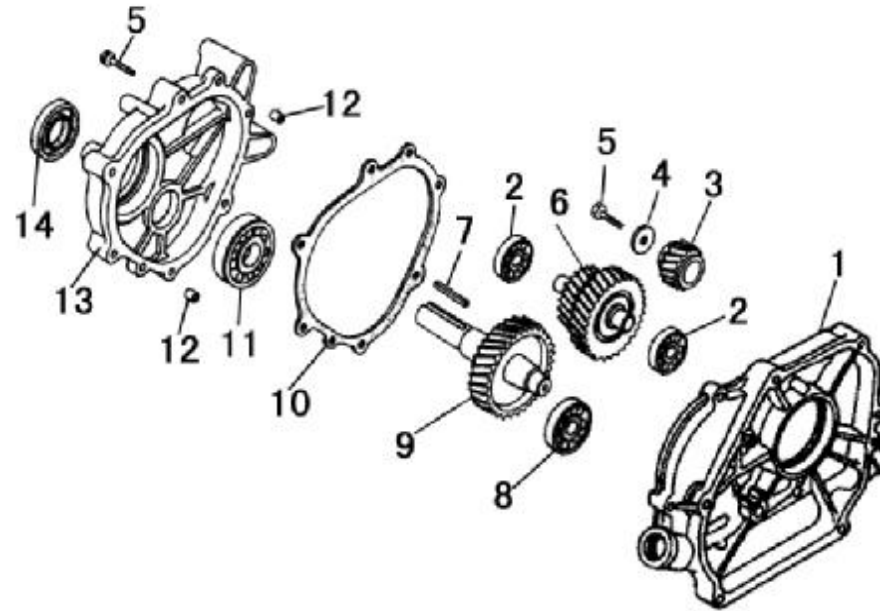


减速箱(RETARDER)

序号 No.	零部件图号 Part No.	零部件名称	Description	数量 (Reqd. QTY.)			
				G240F-B	G240FD-B	G270F-B	G270FD-B
1	380140185-0003	六角头法兰面螺栓	BOLT , FLANGE , 6×50	9	9	9	9
2	380650336-0001	油封30×46×8	OIL SEAL, 30×46×8	1	1	1	1
3	380630140-0002	轴承6206	BEARING , RADIAL BALL	1	1	1	1
4	191920003-T082	减速箱盖	RETARDER CASE COVER	1	1	1	1
5	380620062-0001	键7X7X32	BOLT , DRAIN PLUG	1	1	1	1
6	380140028-0004	六角头法兰面螺栓	BOLT , FLANGE , 8×32	1	1	1	1
7	380450522-T110	平垫圈 8×16×1.2	WASHER ,HOLDER 8×16×1.2	1	1	1	1
8	190010112-T082	离合器组件	CLUTCH ASSY.	1	1	1	1
9	260010131-T042	链条	CHAIN , RETARDER	1	1	1	1
10	380600120-T040	定位销 φ8×14	PIN	2	2	2	2
11	380140004-0004	六角头法兰面螺栓	BOLT , FLANGE 8×20	4	4	4	4
12	380620055-0001	键7×5.6×40	BOLT , DRAIN PLUG	1	1	1	1
13	380630137-0002	轴承6205	WASHER , DRAIN PLUG	1	1	1	1
14	191910002-T082	减速箱体	RETARDER CASE	1	1	1	1
15	380650343-0001	油封30×50×8	OIL SEAL, 30×50×8	1	1	1	1







### 减速箱(RETARDER)

序号 No.	零部件图号 Part No.	零部件名称	Description	数量 (Reqd. QTY.)			
				G340F-D	G340FD-D	G390F-D	G390FD-D
1	110820017-T112	曲轴箱盖	CRANKCASE COVER	1	1	1	1
2	380630099-0001	轴承 6202	BALL BEARING 6202	2	2	2	2
3	191950001-T112	减速箱主动轮	SPLINE GEAR	1	1	1	1
4	380450525-T112	平垫圈	WASHER 8.5×39×4	1	1	1	1
5	380140005-0006	六角头法兰面螺栓	BOLT, FLANGE, 8×40	7	7	7	7
6	191980001-T112	减速箱中间传动轴组	GEAR COMP,	1	1	1	1
7	380620035-0001	键 7X7X40	KEY	1	1	1	1
8	380630005-0001	轴承 6204	BALL BEARING 6204	1	1	1	1
9	191960001-T112	减速箱输出轴组合	OUTPUT SHAFT	1	1	1	1
10	191930010-T112	减速箱盖密封垫	GASKET, COVER	1	1	1	1
11	380630140-0002	轴承 6206	BALL BEARING 6206	1	1	1	1
12	380600120-T040	定位销8X14	DOWEL PIN φ8×14	2	2	2	2
13	191920005-T112	减速箱盖	COVER	1	1	1	1
14	380650336-T080	油封 φ30×φ46×8	OIL SEAL, φ30×φ46×8	1	1	1	1

