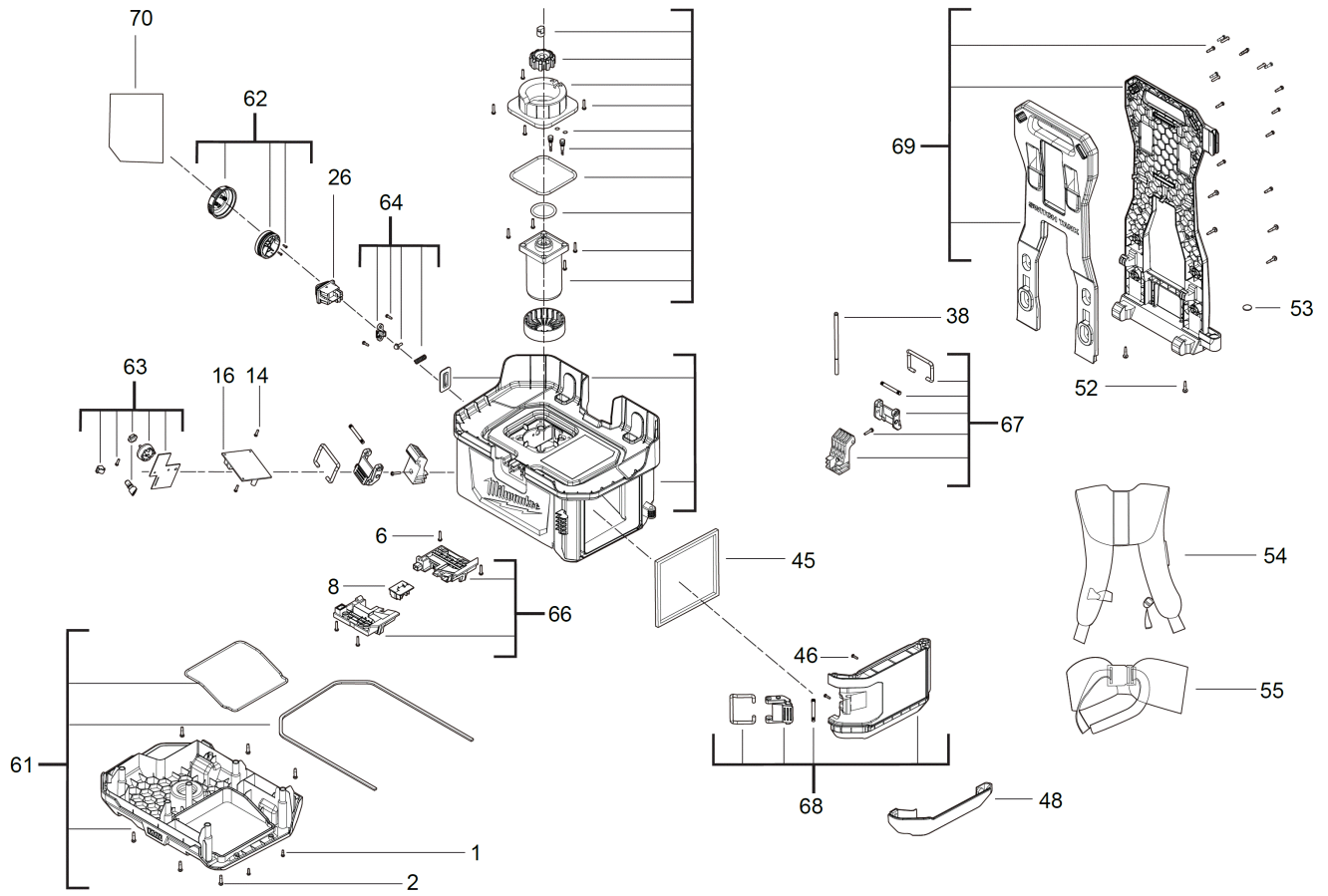


M18BPFPH-401 BACK PACK FLUID PUMP GB2

4933464963 - M18BPFPH-401 GB2 - 4000469922





Position	Quantity	Description	Part number	EAN
0001	1	SCREW	4931472038	4058546282554
0002	1	SCREW	4931472039	4058546282561
0006	1	SCREW	4931472040	4058546282578
0008	1	TERMINAL PLUG	4931472041	4058546282585
0014	1	SCREW	4931472042	4058546282592
0016	1	ELECTRONIC	4931472043	4058546282608
0026	1	SWITCH	4931472044	4058546282615
0038	1	SHAFT	4931472046	4058546282639
0045	1	SEAL	4931472047	4058546282646
0046	1	SCREW	4931472048	4058546282653
0048	1	BATTERY CAP	4931472049	4058546282660
0052	1	SCREW	4931472050	4058546282677
0053	1	SEAL	4931472051	4058546282684
0054	1	STRAP	4931472052	4058546282691
0055	1	STRAP	4931472053	4058546282707
0061	1	WORK STAND	4931472055	4058546282721
0062	1	SPEED CONTROL	4931472056	4058546282738
0063	1	ELECTRONIC	4931472057	4058546282745
0064	1	SWITCH	4931472058	4058546282752
0066	1	BATTERY BOX	4931472060	4058546282776
0067	2	LATCH	4931472061	4058546282783
0068	1	DOOR	4931472062	4058546282790
0069	1	FRAME	4931472063	4058546282806
0070	1	RATING PLATE	4931472064	4058546282813