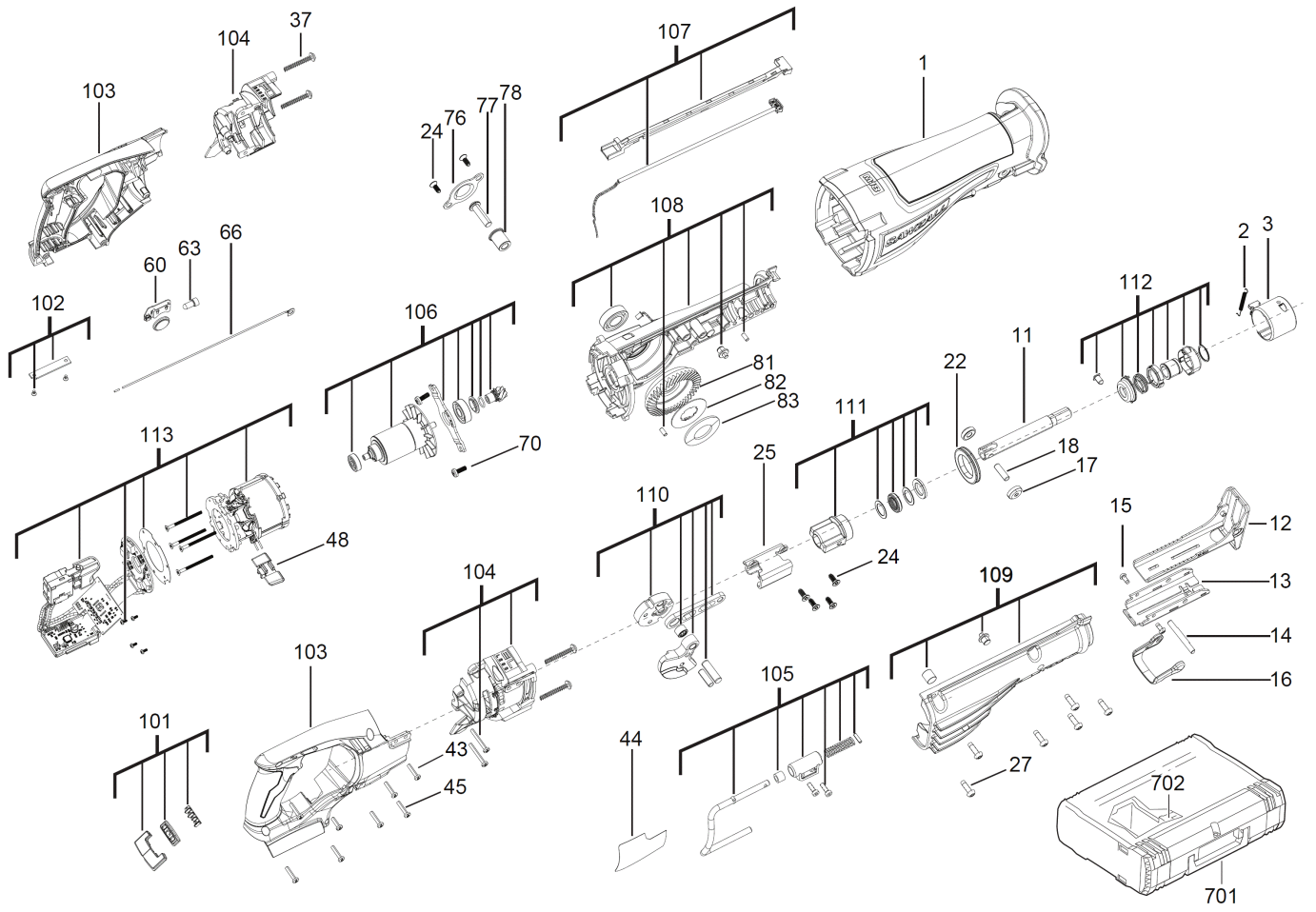


M18ONESX-502X SAWZALL GB2

4933451667 - M18ONESX-502X - 4000458045





Position	Quantity	Description	Part number	EAN
0001	1	RUBBER FOOT	4931436052	4002395876358
0002	1	SPRING	4931436050	4002395876334
0003	1	CAM	4931436051	4002395876341
0011	1	SPINDLE	4931436023	4002395877676
0012	1	DISTANCE HOLDER	4931436022	4002395877669
0013	1	HOLDER	4931436026	4002395878307
0014	1	PIN	44601635	4058546073930
0015	2	SCREW	06827253	4058546068950
0016	1	LOCK BOTTON	4931436027	4002395878314
0017	2	ROLL	4931436024	4002395877683
0018	2	BALANCE WEIGHT	4931436025	4002395877690
0022	1	SEAL	4931436021	4002395877652
0024	6	SCREW	4931453200	4002395151561
0025	1	STAMP	4931436028	4002395878321
0027	6	SCREW	4931435228	4002395860128
0037	4	SCREW	4931436564	4002395257614
0043	7	SCREW	06827261	4058546068967
0044	1	RATING PLATE	4931454145	4002395284993
0045	1	SCREW	4931454146	4002395285600
0048	1	LOCK BOTTON	4931436053	4002395876365
0060	1	CONTACT CASE	4931453372	4002395164141
0063	1	CONNECTOR	4931453770	4002395142378
0066	1	WIRE	4931454147	4002395285617
0070	2	SCREW	4931436635	4002395258017
0076	1	PLATE	4931436036	4002395878390
0077	1	SCREW	4931436035	4002395878383
0078	1	DISTANCE HOLDER	4931436034	4002395172177
0081	1	BEVEL GEAR PAIR	4931453356	4002395162536
0082	1	PLATE	4931436030	4002395878345
0083	1	SPRING	4931436031	4002395878352
0101	1	LEVER	4931454148	4002395285624
0102	1	COVER	4931454149	4002395285631
0103	1	PAIR HANDLE SHELLS	4931454150	4002395285648
0104	1	HOUSING SET ASSY	4931436047	4002395876303
0105	1	HOOK	4931436040	4002395875634
0106	1	ARMATURE	4931453358	4002395162550
0107	1	LAMP	4931436048	4002395876310
0108	1	GEAR BOX INSUL.LEFT	4931436044	4002395875672
0109	1	GEAR BOX INSU.RIGHT	4931436045	4002395875689
0110	1	CRANK ASSEMBLY	4931436046	4002395875696
0111	1	BUSH	4931453359	4002395162567
0112	1	ACCEPTANCE	4931436647	4002395258734
0113	1	ELECTRONIC ELEMENT	4931454151	4002395285655
0701	1	CARRYING CASE	4932453386	4002395143634
0702	1	INSERT	4931454153	4002395285679