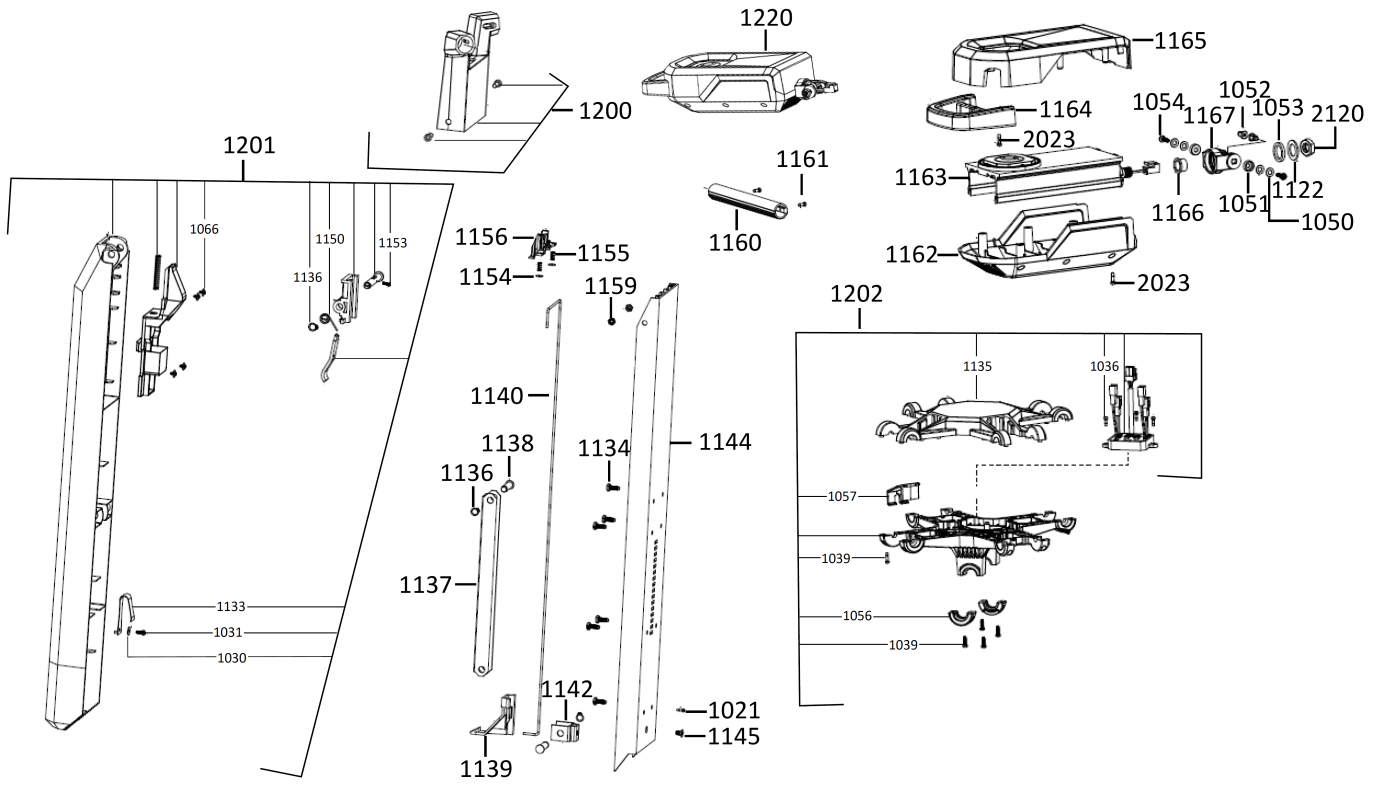
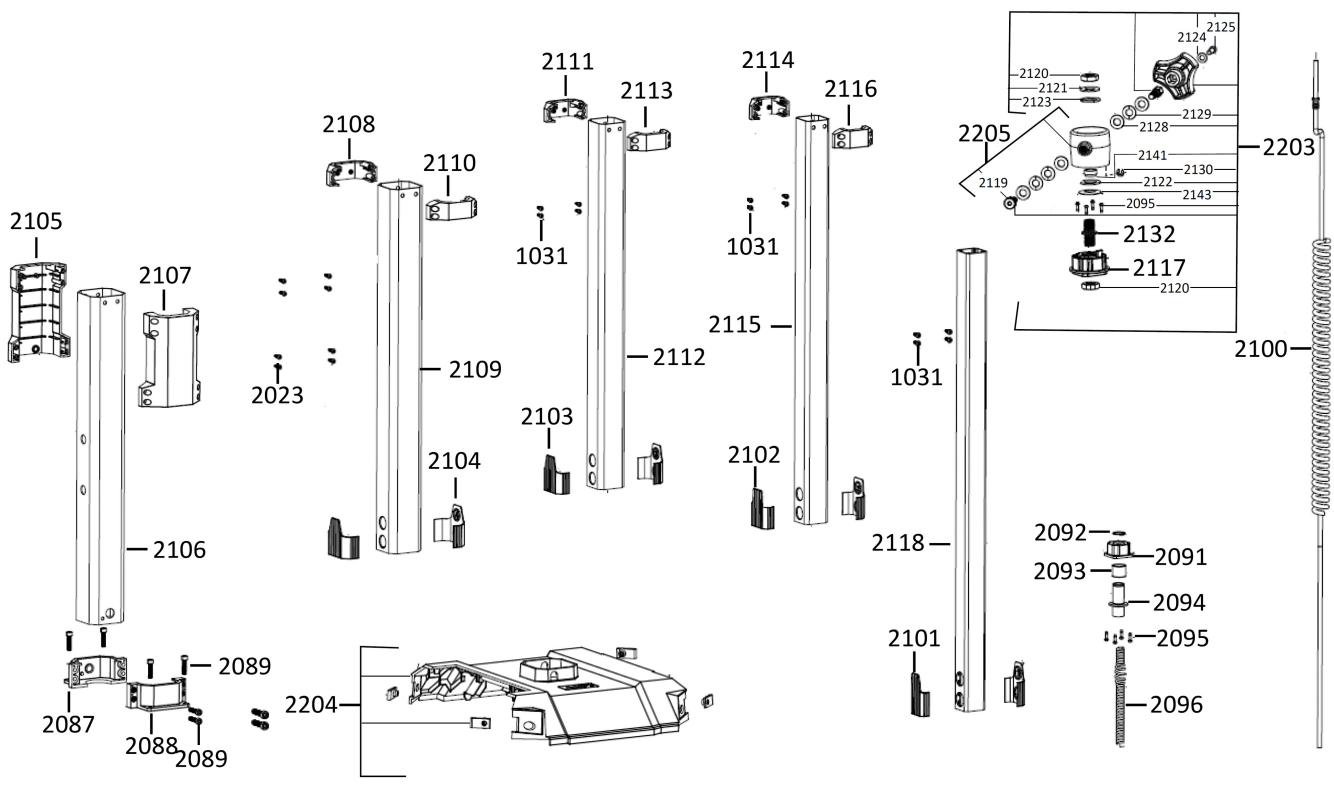
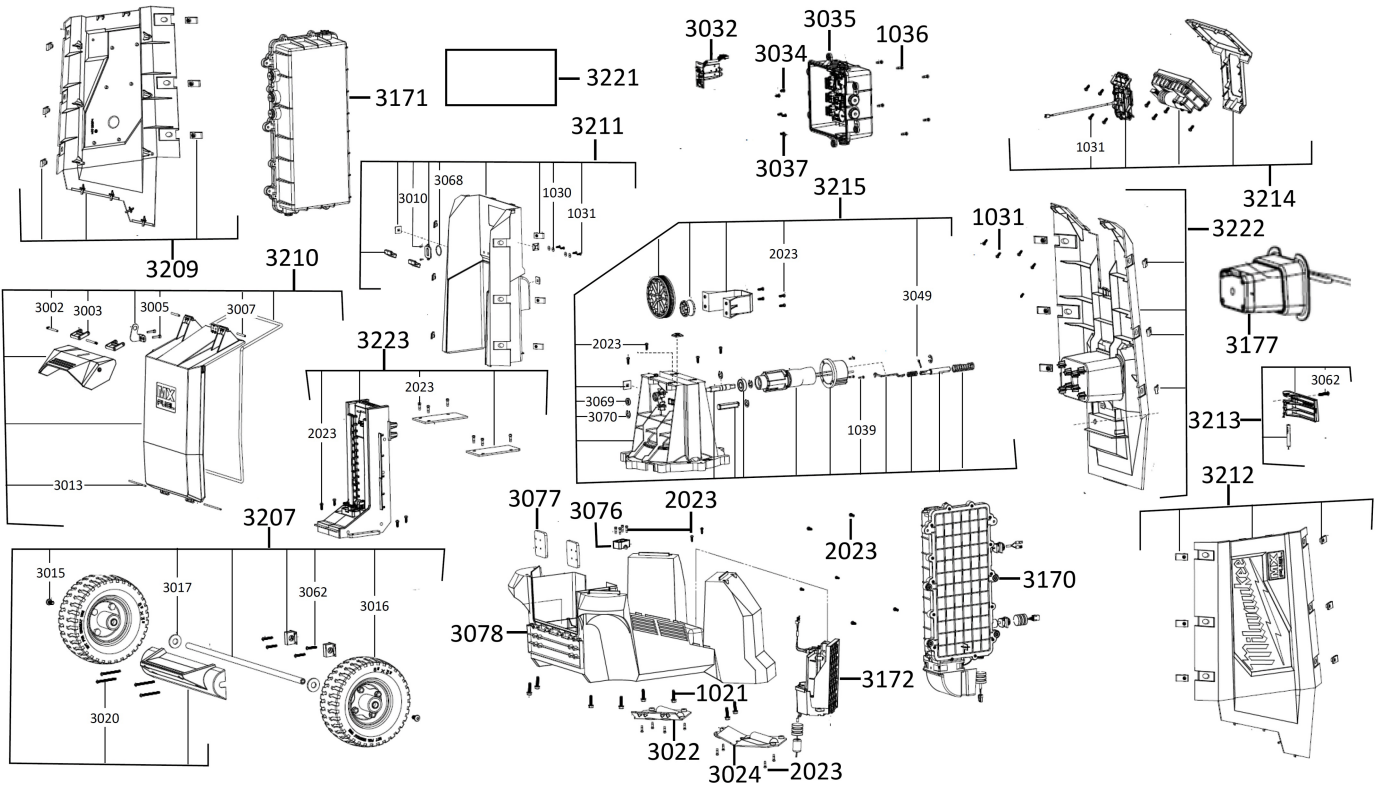


MXFTL-601 Stand Area Light KIT GB2

4933471846 - MXFTL-601 - 4000474785







Position	Quantity	Description	Part number	EAN
1021	10	SCREW	4931480108	4058546421236
1030	5	WASHER	4931480109	4058546421243
1031	32	SCREW	4931480110	4058546421250
1036	11	SCREW	4931480111	4058546421267
1039	35	SCREW	4931480112	4058546421274
1050	4	WASHER	4931480113	4058546421281
1051	2	WASHER	4931480114	4058546421298
1052	2	GUIDE NUT	4931480115	4058546421304
1053	1	RUBBER RING	4931480116	4058546421311
1054	2	SCREW	4931480117	4058546421328
1056	2	HOLDER	4931480118	4058546421335
1057	4	CAP	4931480119	4058546421342
1066	4	SCREW	4931480120	4058546421359
1133	1	SPRING	4931480121	4058546421366
1134	6	SCREW	4931480122	4058546421373
1135	1	COVER	4931480123	4058546421380
1136	3	RETAINING RING	4931480124	4058546421397
1137	1	CONNECTOR	4931480125	4058546421403
1138	2	PIN	4931480126	4058546421410
1139	1	LATCH	4931480127	4058546421427
1140	1	ROD	4931480128	4058546421434
1142	1	BRACKET	4931480129	4058546421441
1144	1	GUIDE RAIL	4931480130	4058546421458
1145	1	SCREW	4931480131	4058546421465
1150	1	SPRING	4931480132	4058546421472
1153	1	SCREW	4931480133	4058546421489
1154	2	WASHER	4931480134	4058546421496
1155	2	SPRING	4931480135	4058546421502
1156	1	TRIGGER	4931480136	4058546421519
1159	2	NUT	4931480137	4058546421526
1160	1	TUBE	4931480138	4058546421533
1161	2	SCREW	4931480139	4058546421540
1162	1	HOUSING	4931480140	4058546421557
1163	1	ACCEPTANCE	4931480141	4058546421564
1164	1	GRIP	4931480142	4058546421571
1165	1	HOUSING	4931480143	4058546421588
1166	1	WASHER	4931480144	4058546421595
1167	1	HINGE PIECE	4931480145	4058546421601
1200	1	SERVICE-KIT	4931480146	4058546421618
1201	1	SERVICE-KIT	4931480147	4058546421625
1202	1	SERVICE-KIT	4931480148	4058546421632
1220	4	HOUSING	4931480149	4058546421649
2023	60	SCREW	4931480150	4058546421656
2087	1	HOLDING BRACKET	4931480151	4058546421663
2088	1	HOLDING BRACKET	4931480152	4058546421670
2089	8	SCREW	4931480153	4058546421687
2091	1	SLEEVE	4931480154	4058546421694
2092	1	RETAINING RING	4931480155	4058546421700
2093	1	SLIDE BEARING	4931480156	4058546421717
2094	1	CONNECTION	4931480157	4058546421724

Position	Quantité	Désignation	Référence	EAN
2095	8	SCREW	4931480158	4058546421731
2096	1	CABLE	4931480159	4058546421748
2100	1	CABLE	4931480160	4058546421755
2101	2	GUIDE SLEEVE	4931480161	4058546421762
2102	2	GUIDE SLEEVE	4931480162	4058546421779
2103	2	GUIDE SLEEVE	4931480163	4058546421786
2104	2	GUIDE SLEEVE	4931480164	4058546421793
2105	1	COLLAR	4931480165	4058546421809
2106	1	ROD	4931480166	4058546421816
2107	1	COLLAR	4931480167	4058546421823
2108	1	HOLDING BRACKET	4931480168	4058546421830
2109	1	ROD	4931480169	4058546421847
2110	1	HOLDING BRACKET	4931480170	4058546421854
2111	1	HOLDING BRACKET	4931480171	4058546421861
2112	1	ROD	4931480172	4058546421878
2113	1	HOLDING BRACKET	4931480173	4058546421885
2114	1	HOLDING BRACKET	4931480174	4058546421892
2115	1	ROD	4931480175	4058546421908
2116	1	HOLDING BRACKET	4931480176	4058546421915
2117	1	CAP	4931480177	4058546421922
2118	1	ROD	4931480178	4058546421939
2119	1	SCREW	4931480179	4058546421946
2120	3	NUT	4931480180	4058546421953
2121	1	WASHER	4931480181	4058546421960
2122	1	WASHER	4931480182	4058546421977
2123	1	WASHER	4931480183	4058546421984
2124	1	WASHER	4931480184	4058546421991
2125	1	SCREW	4931480185	4058546422004
2128	4	WASHER	4931480186	4058546422011
2129	3	WASHER	4931480187	4058546422028
2130	1	RETAINER	4931480188	4058546422035
2132	1	BOLT	4931480189	4058546422042
2141	1	WASHER	4931480190	4058546422059
2143	1	WASHER	4931480191	4058546422066
2203	1	LINK	4931480192	4058546422073
2204	1	SERVICE-KIT	4931480193	4058546422080
2205	1	GUIDE SLEEVE	4931480194	4058546422097
3002	2	THREADED BOLT	4931480195	4058546422103
3003	2	JOINT PIECE	4931480196	4058546422110
3005	2	SCREW	4931480197	4058546422127
3007	2	THREADED BOLT	4931480198	4058546422134
3010	2	SCREW	4931480199	4058546422141
3013	2	THREADED BOLT	4931480200	4058546422158
3015	2	SCREW	4931480201	4058546422165
3016	2	WHEEL	4931480202	4058546422172
3017	2	WASHER	4931480203	4058546422189
3020	4	SCREW	4931480204	4058546422196
3022	1	HANDLE LEFT	4931480205	4058546422202
3024	1	HANDLE RIGHT	4931480206	4058546422219
3032	1	ELECTRIC ELEMENT	4931480207	4058546422226

Position	Quantité	Désignation	Référence	EAN
3034	2	SCREW	4931480208	4058546422233
3035	1	TERMINAL STRIP	4931480209	4058546422240
3037	3	SCREW	4931480210	4058546422257
3049	1	PIN	4931480211	4058546422264
3062	5	SCREW	4931480212	4058546422271
3068	1	O-RING	4931480213	4058546422288
3069	1	BALL BEARING	4931480214	4058546422295
3070	5	SNAP RING	4931480215	4058546422301
3076	1	CLAMP	4931480216	4058546422318
3077	1	HOLDING PLATE	4931480217	4058546422325
3078	1	HOUSING BOTTOM	4931480218	4058546422332
3170	1	CHARGER	4931480219	4058546422349
3171	1	ELECTRONIC	4931480220	4058546422356
3172	1	ELECTRONIC	4931480221	4058546422363
3177	1	POWER CORD	4931480236	4058546422516
3207	1	SERVICE-KIT	4931480223	4058546422387
3209	1	SERVICE-KIT	4931480224	4058546422394
3210	1	SERVICE-KIT	4931480225	4058546422400
3211	1	SERVICE-KIT	4931480226	4058546422417
3212	1	SERVICE-KIT	4931480227	4058546422424
3213	1	SERVICE-KIT	4931480228	4058546422431
3214	1	SERVICE-KIT	4931480229	4058546422448
3215	1	SERVICE-KIT	4931480230	4058546422455
3221	1	RATING PLATE	4931480237	4058546422523
3222	1	SERVICE-KIT	4931480232	4058546422479
3223	1	SERVICE-KIT	4931480233	4058546422486