

**Milwaukee**<sup>®</sup>

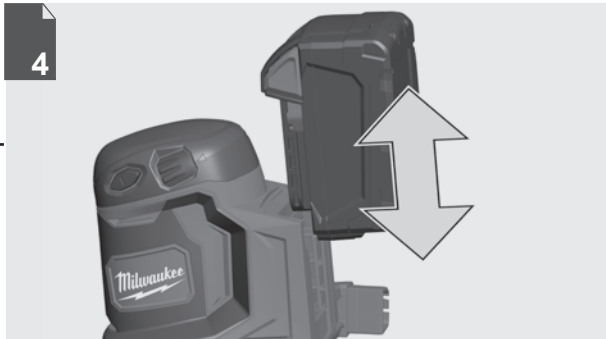
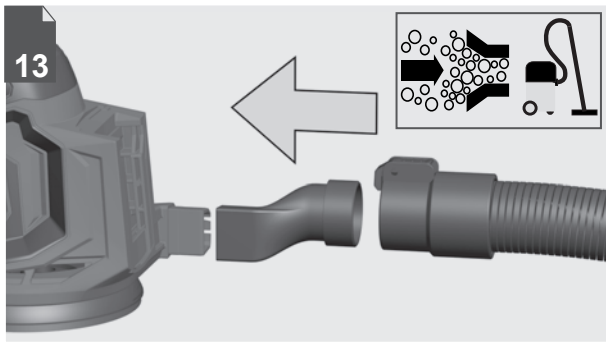
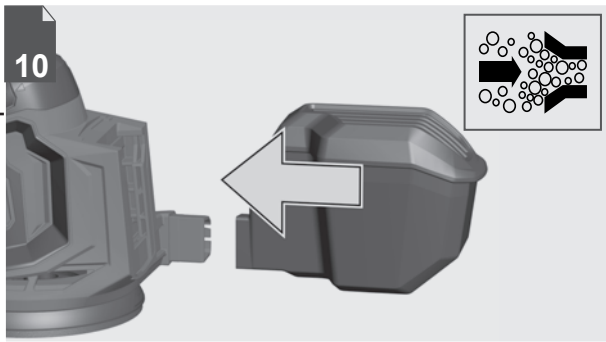
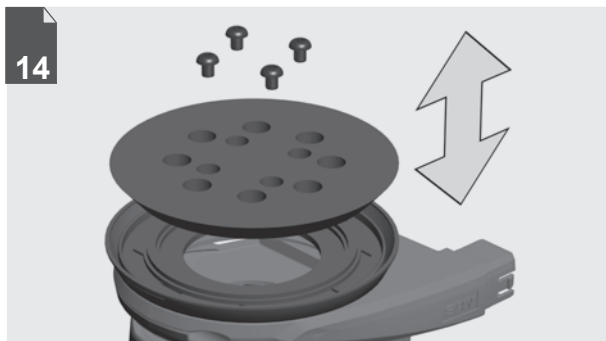
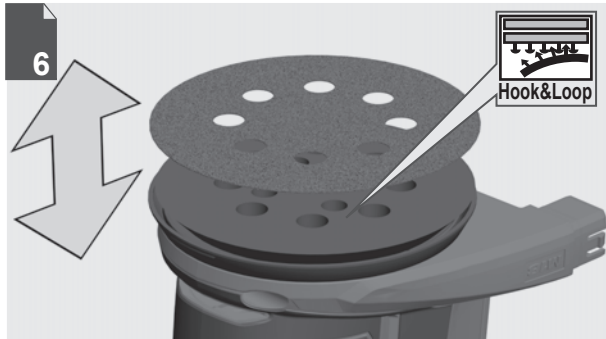
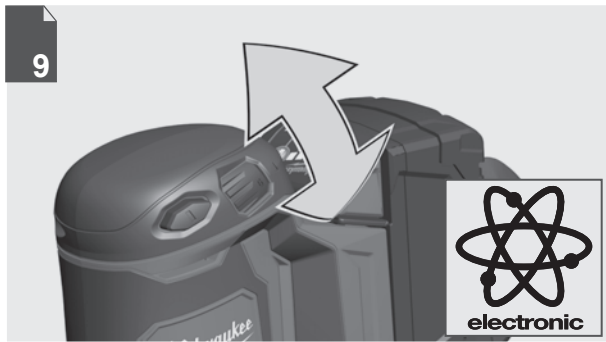
Nothing but **HEAVY DUTY**.<sup>®</sup>



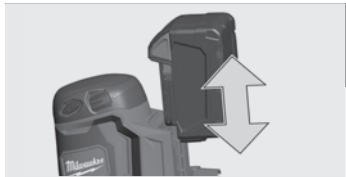
## **M18 BOS125**

---

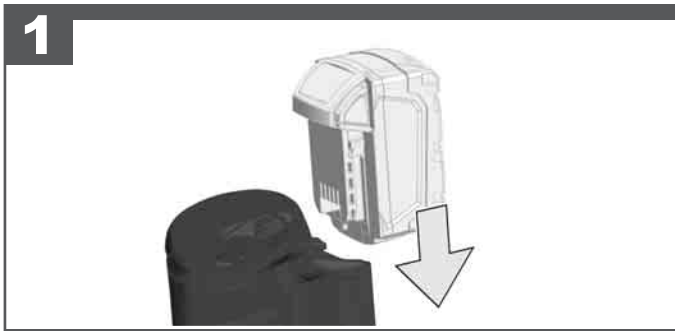
Original instructions



16 Text section with Technical Data, important Safety and Working Hints and description of Symbols



Remove the battery pack before starting any work on the machine.



		78-100 %
		55-77 %
		33-54 %
		10-32 %
		< 10 %



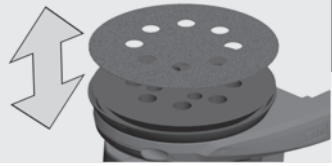
1



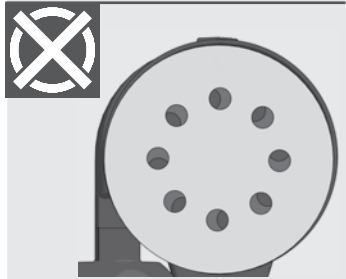
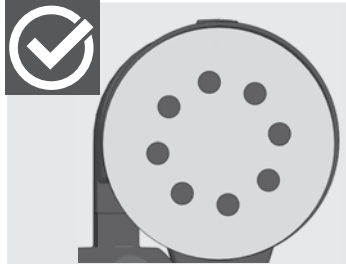
2



Press carefully the fuzzy side of sanding disc against the packaging pad, as firmly as possible.



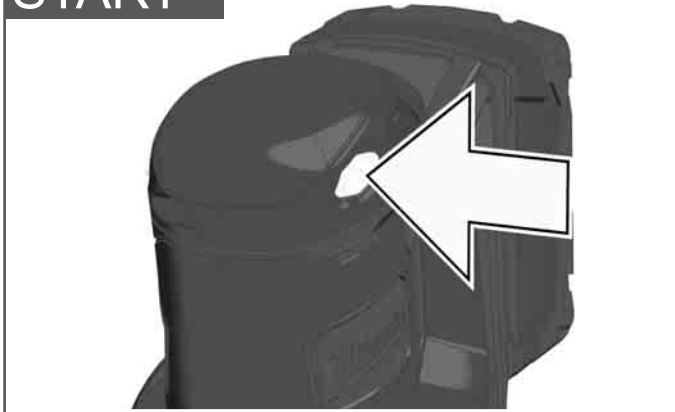
Hook&Loop



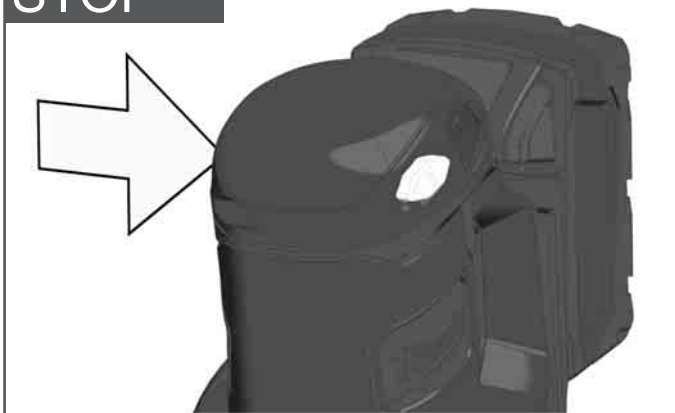


Insulated gripping surface

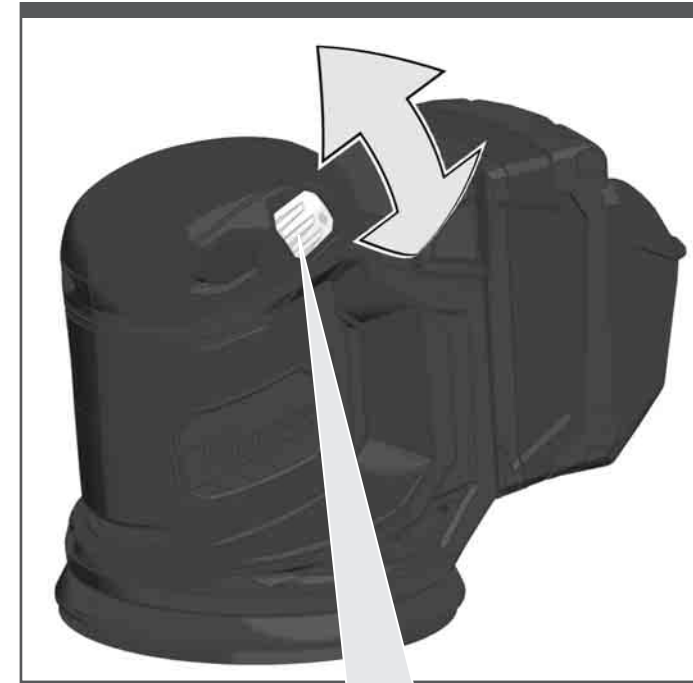
START



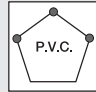

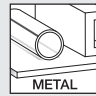
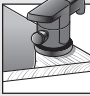
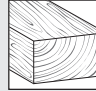
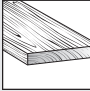
STOP

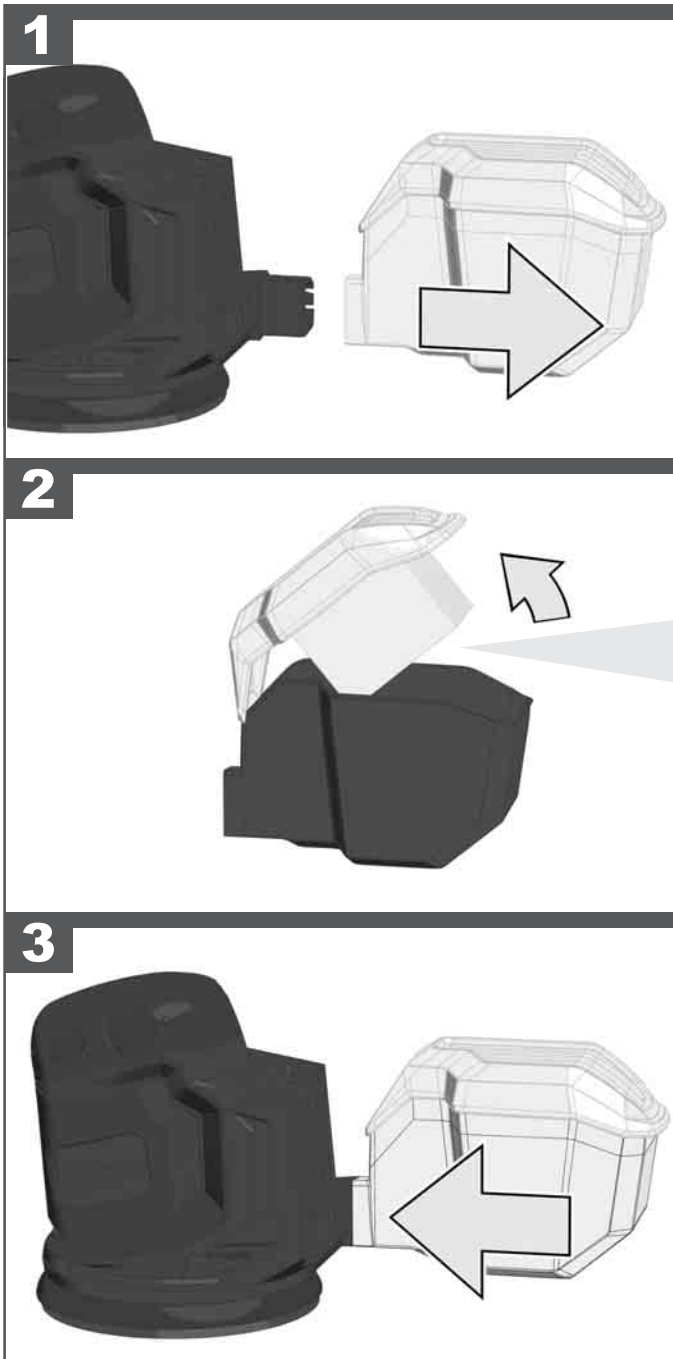
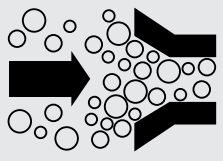


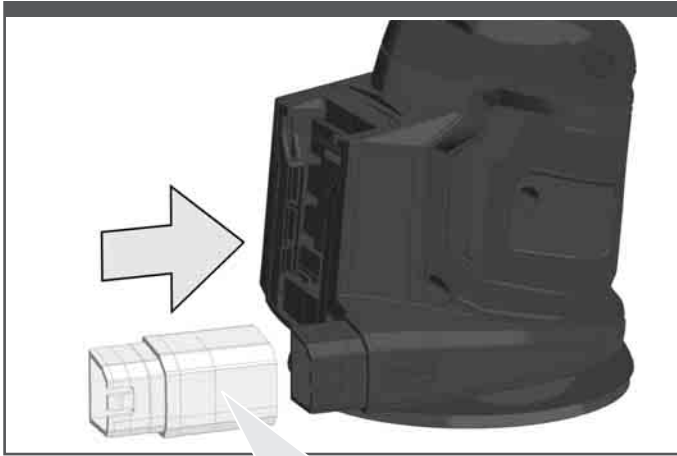
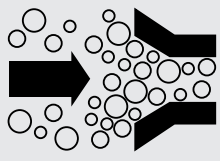
electronic



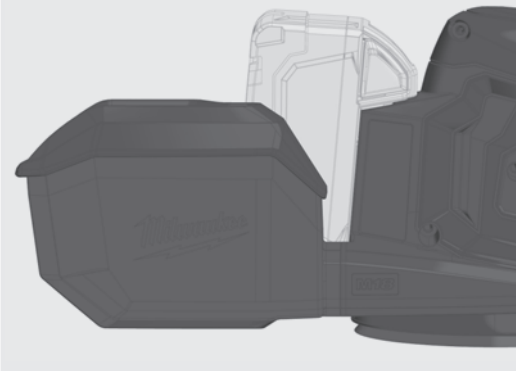
1...2...3...4...5...6

1...2		
3...4		
5...6		

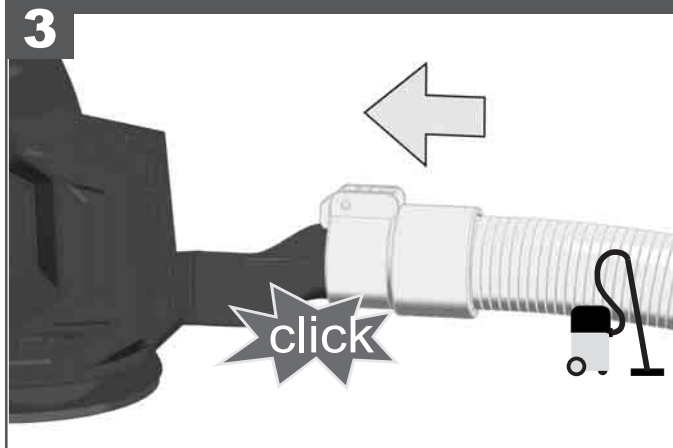
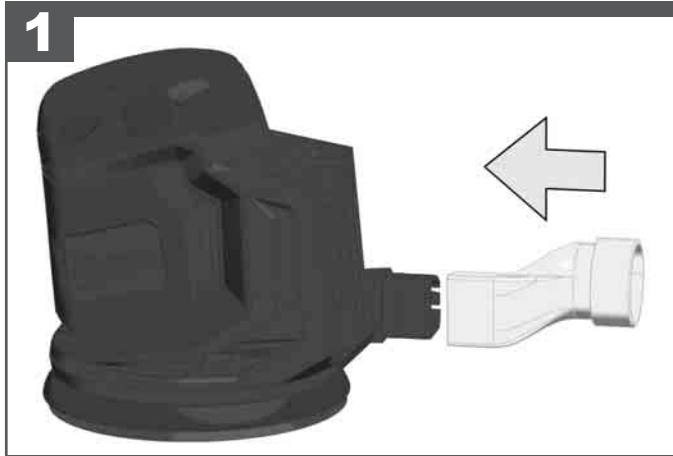
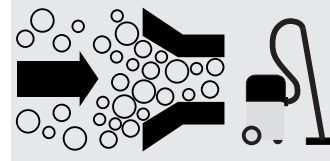
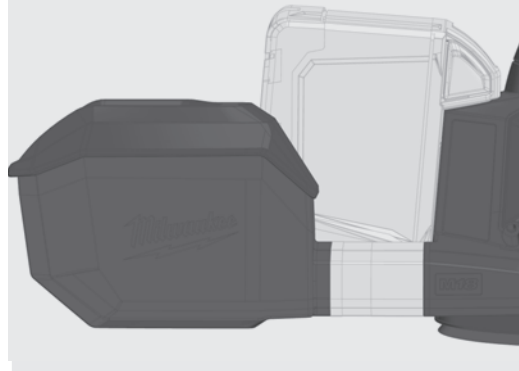


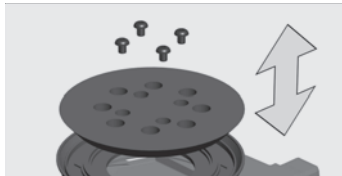


M18B2  
M18B3  
M18B4  
M18B5  
M18B6



M18B9

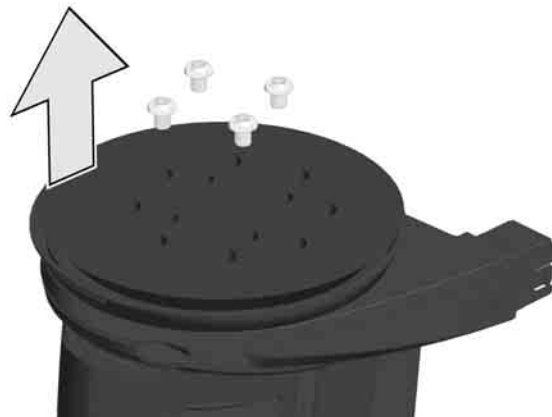




Replace sanding base if hook&loop material is worn out.



1



2



3





**TECHNICAL DATA**      **RANDOM ORBITAL SANDER**      **M18BOS125**

Production code.....	4675 19 01....
	...000001-999999
Battery voltage.....	18 V
No-load speed.....	7000-12000 min <sup>-1</sup>
No-load orbital stroke rate.....	14000-24000 min <sup>-1</sup>
Orbital travel diameter.....	2,4 mm
Dimensions of grinding plate.....	∅ 125 mm
Weight without battery.....	1,2 kg
Weight according EPTA-Procedure 01/2014 (2.0 ... 9.0 Ah).....	1,6 ... 2,3 kg
Recommended ambient operating temperature.....	-18...+50 °C
Recommended battery types.....	M18B2... M18B9
Recommended charger.....	M12-18 ... ; M1418C6

**Noise/vibration information**

Measured values determined according to EN 62841

Typically, the A-weighted noise levels of the tool are:

Sound pressure level (K=3dB(A)).....	77,16 dB (A)
Sound power level (K=3dB(A)).....	88,16 dB (A)

**Wear ear protectors!**

Total vibration values (vector sum in the three axes) determined according to EN 62841.

Vibration emission value a <sub>v</sub> .....	2,29 m/s <sup>2</sup>
Uncertainty K=.....	1,5 m/s <sup>2</sup>

**WARNING**

The vibration emission level given in this information sheet has been measured in accordance with a standardised test given in EN 62841 and may be used to compare one tool with another. It may be used for a preliminary assessment of exposure.

The declared vibration emission level represents the main applications of the tool. However if the tool is used for different applications, with different accessories or poorly maintained, the vibration emission may differ. This may significantly increase the exposure level over the total working period.

An estimation of the level of exposure to vibration should also take into account the times when the tool is switched off or when it is running but not actually doing the job. This may significantly reduce the exposure level over the total working period.

Identify additional safety measures to protect the operator from the effects of vibration such as: maintain the tool and the accessories, keep the hands warm, organisation of work patterns.

**⚠ WARNING Read all safety warnings, instructions, illustrations and specifications provided with this power tool.** Failure to follow all instructions listed below may result in electric shock, fire and/or serious injury. **Save all warnings and instructions for future reference.**

**⚠ RANDOM ORBITAL SANDER SAFETY WARNINGS**

**Wear ear protectors.** Exposure to noise can cause hearing loss.

**ADDITIONAL SAFETY AND WORKING INSTRUCTIONS**

Always wear goggles when using the machine. It is recommended to wear gloves, sturdy non slipping shoes and apron.

The dust produced when using this tool may be harmful to health (e.g. when working oak or beech wood, stones, paint, which could contain lead or other harmful chemicals). Do not inhale the dust. Use a dust absorption system and wear a suitable dust protection mask. Remove deposited dust thoroughly, e.g. with a vacuum cleaner.

Do not use machines on any material containing asbestos.

This machine is suitable only for dry sanding.

Remove the battery pack before starting any work on the machine.

Do not dispose of used battery packs in the household refuse or by burning them. Milwaukee Distributors offer to retrieve old batteries to protect our environment.

Do not store the battery pack together with metal objects (short circuit risk).

Never break open battery packs and chargers and store only in dry rooms. Keep dry at all times.

Battery acid may leak from damaged batteries under extreme load or extreme temperatures. In case of contact with battery acid wash it off immediately with soap and water. In case of eye contact rinse thoroughly for at least 10 minutes and immediately seek medical attention.

**Warning!** To reduce the risk of fire, personal injury, and product damage due to a short circuit, never immerse your tool, battery pack or

charger in fluid or allow a fluid to flow inside them. Corrosive or conductive fluids, such as seawater, certain industrial chemicals, and bleach or bleach containing products, etc., can cause a short circuit.

**SPECIFIED CONDITIONS OF USE**

This random orbital sander is a versatile machine. The following work can be carried out with it: Coarse sanding and grinding, Fine sanding and polishing, Rubbing down weather-beaten paint, Polishing up scratches on acrylic glass, Etc.

To provide the best adhesion, it is recommended that you clean the backing pad and the sanding disc backing occasionally by brushing them lightly with a small brush.

Do not use this product in any other way as stated for normal use.

**EC-DECLARATION OF CONFORMITY**

We declare under our sole responsibility that the product described under "Technical Data" fulfills all the relevant provisions of the directives 2011/65/EU (RoHS), 2014/30/EU, 2006/42/EC and the following harmonized standards have been used:

- EN 62841-1:2015/AC:2015
- EN 62841-2-4:2014/AC:2015
- EN 55014-1:2017+A11:2020
- EN 55014-2:2015
- EN IEC 63000:2018

Winnenden, 2020-10-26

*Alexander Krug*

Alexander Krug  
Managing Director

Authorized to compile the technical file.

Techtronic Industries GmbH  
Max-Eyth-Straße 10  
71364 Winnenden  
Germany



**GB-DECLARATION OF CONFORMITY**

We declare as the manufacturer under our sole responsibility that the product described under "Technical Data" fulfills all the relevant provisions of the following Regulations S.I. 2008/1597 (as amended), S.I. 2016/1091 (as amended), S.I. 2012/3032 (as amended) and that the following designated standards have been used:

- BS EN 62841-1:2015/AC:2015
- BS EN 62841-2-4:2014/AC:2015
- BS EN 55014-1:2017+A11:2020
- BS EN 55014-2:2015
- BS EN IEC 63000:2018

Winnenden, 2020-10-26

*Alexander Krug*

Alexander Krug  
Managing Director

Authorized to compile the technical file.

Techtronic Industries GmbH  
Max-Eyth-Straße 10  
71364 Winnenden  
Germany

**ADVICE FOR OPERATION**

Only use original Milwaukee sanding and polishing tools with self-adhesive hook&loop fastening.

For more efficient operation, empty the dust box when it is no more than half full. This will permit air to flow through the box better. Always empty and clean the dust box thoroughly upon completion of a sanding operation and before storing the sander.

**BATTERIES**

Battery packs which have not been used for some time should be recharged before use.

Temperatures in excess of 50°C (122°F) reduce the performance of the battery pack. Avoid extended exposure to heat or sunshine (risk of overheating).

The contacts of chargers and battery packs must be kept clean.

For an optimum life-time, the battery packs have to be fully charged, after used.

To obtain the longest possible battery life remove the battery pack from the charger once it is fully charged.

For battery pack storage longer than 30 days: Store the battery pack where the temperature is below 27°C and away from moisture

Store the battery packs in a 30% - 50% charged condition Every six months of storage, charge the pack as normal.

**TRANSPORTING LITHIUM BATTERIES**

Lithium-ion batteries are subject to the Dangerous Goods Legislation requirements.

Transportation of those batteries has to be done in accordance with local, national and international provisions and regulations.

- The user can transport the batteries by road without further requirements.
- Commercial transport of Lithium-Ion batteries by third parties is subject to Dangerous Goods regulations. Transport preparation and transport are exclusively to be carried out by appropriately trained persons and the process has to be accompanied by corresponding experts.

When transporting batteries:

- Ensure that battery contact terminals are protected and insulated to prevent short circuit.
- Ensure that battery pack is secured against movement within packaging.
- Do not transport batteries that are cracked or leak.

Check with forwarding company for further advice

**BATTERY PACK PROTECTION**

The battery pack has overload protection that protects it from being overloaded and helps to ensure long life. Under extreme stress the battery electronics switch off the machine automatically. To restart, switch the machine off and then on again. If the machine does not start up again, the battery pack may have discharged completely. In this case it must be recharged in the battery charger.

**MAINTENANCE**

The ventilation slots of the machine must be kept clear at all times.

Use only Milwaukee accessories and spare parts. Should components need to be replaced which have not been described, please contact one of our service agents (see our list of guarantee/service addresses).

If needed, an exploded view of the tool can be ordered. Please state the Article No. as well as the machine type printed on the label and order the drawing at your local service agents or directly at: Milwaukee Electric Tools GmbH, Max-Eyth-Straße 10, D-71364 Winnenden, Germany.

**SYMBOLS**

	CAUTION! WARNING! DANGER!
	Remove the battery pack before starting any work on the machine.
	Please read the instructions carefully before starting the machine.
	Do not dispose electric tools, batteries/rechargeable batteries together with household waste material. Electric tools and batteries that have reached the end of their life must be collected separately and returned to an environmentally compatible recycling facility. Check with your local authority or retailer for recycling advice and collection point.
$n_0$	No-load speed
V	Volts
	Direct current
	European Conformity Mark
	British Conformity Mark
	Ukraine Conformity Mark
	EurAsian Conformity Mark



Copyright 2020  
Techtronic Industries GmbH  
Max-Eyth-Str. 10  
71364 Winnenden  
Germany  
+49 (0) 7195-12-0  
[www.milwaukeeetool.eu](http://www.milwaukeeetool.eu)

Techtronic Industries (UK) Ltd  
Fieldhouse Lane  
Marlow Bucks SL7 1HZ  
UK

 **EAC UK  
CA**  
(10.20)  
**4100 4149 59**