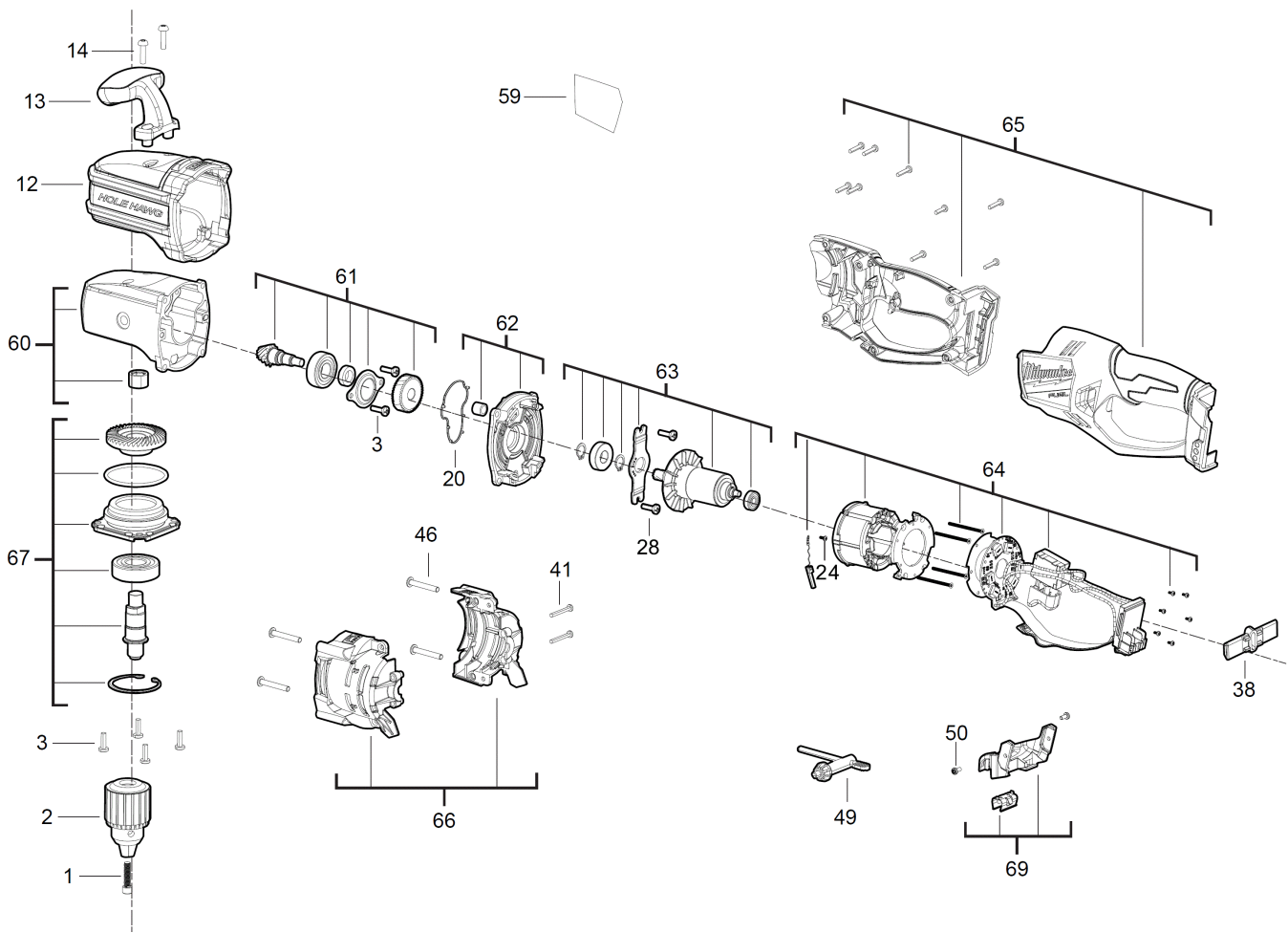


M18CRAD-502X RIGHT ANGLE D.DRIVER GB2

4933451351 - M18CRAD-502X - 4000447731





Position	Quantity	Description	Part number	EAN
0001	1	SCREW	4931436577	4002395258345
0002	1	CHUCK	4931436576	4002395258338
0003	6	SCREW	4931435528	4002395892440
0012	1	COLLAR	4931436558	4002395256952
0013	1	HANDLE	4931436559	4002395256969
0014	2	SCREW	661164001	4002395829934
0020	1	SEAL	4931436560	4002395256976
0024	1	SCREW	4931436162	4002395881628
0028	2	SCREW TORX SCREW	06825314	4002395851935
0038	1	PUSH BUTTON	4931436578	4002395258352
0041	2	LOCKING SCREW	4931436563	4002395257607
0046	4	SCREW	4931436564	4002395257614
0049	1	CHUCK KEY	4931436565	4002395257621
0050	2	SCREW	4931436566	4002395257638
0059	1	RATING PLATE	4931436567	4002395257645
0060	1	GEARWHEEL SET	4931436568	4002395257652
0061	1	GEAR BOX	4931436569	4002395257669
0062	1	BEARING END PLATE	4931436570	4002395257676
0063	1	ARMATURE	4931436571	4002395257683
0064	1	ELECTRONIC	4931436572	4002395257690
0065	1	HANDLE COMPL.	4931436573	4002395258307
0066	1	MOTOR HOUSING	4931436574	4002395258314
0067	1	DRIVE	4931436575	4002395258321
0069	1	KEY HOLDER	4931436562	4002395256990
	1	M12-18C UK COMBO CHARGER GB2	5131000000	
	2	M18B5 LI-ION BATTERY PACK 5.0AH XXX	4932430483	4002395381449