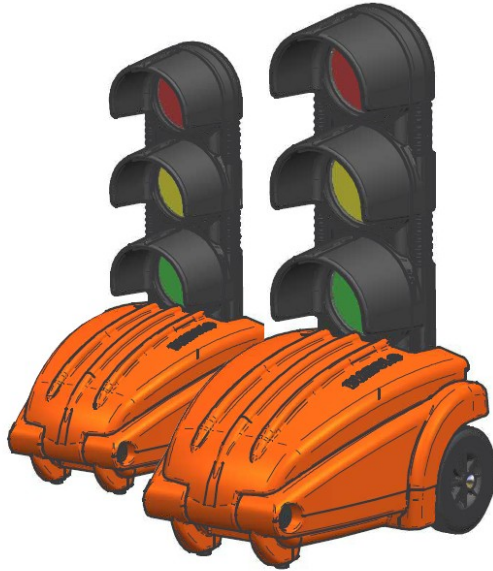
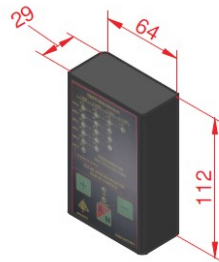
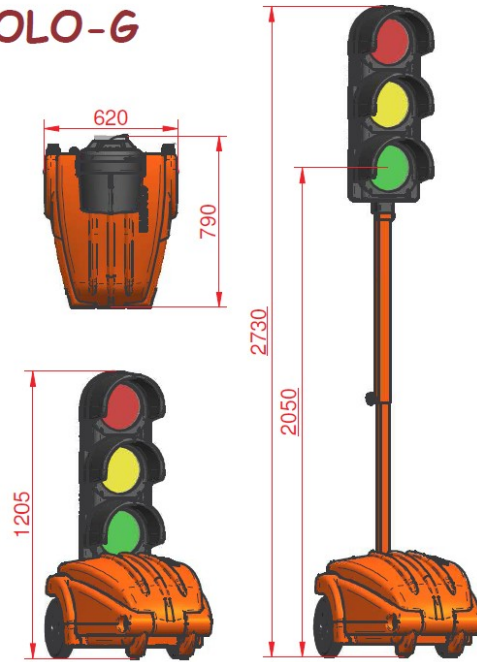




**Produits  
électroniques**



## DIABOLO-G



Synchronization key

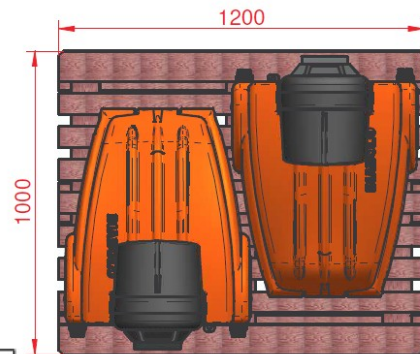
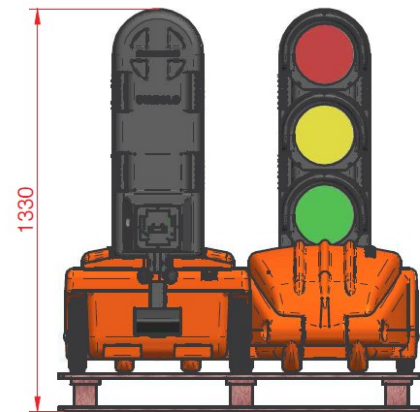
### Spécifications

Material	Polyethylene (head), Polypropylene (shell) and Steel 2mm
Color	RAL 2004
Dimensions	1205 x 620 x 790
Numbers optics	Three optical Ø200 12V leds
Voltage	12V
Weight	33 Kg without battery
Remote Control	Synchronization key
Autonomy	4 weeks with 12V 200Ah battery
Consumption (@12Vcc)	0.3 A

### Accessories

12V 200Ah Battery	57Kg
6V 192Ah Battery	24Kg
230V/12V Power supply	1.6Kg

### Packaging



EPI pallet curing



Total weight (included pallet) : 90 Kg

The set is packaged without battery