

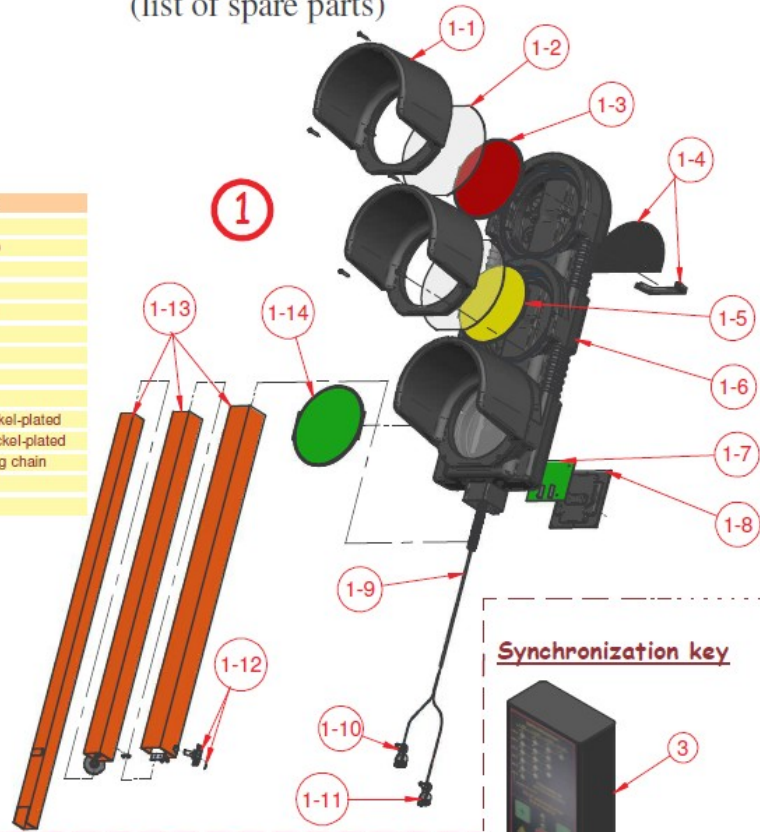


**Produits  
électroniques**

# Set of two traffic lights "DIABOLO-G" (list of spare parts)

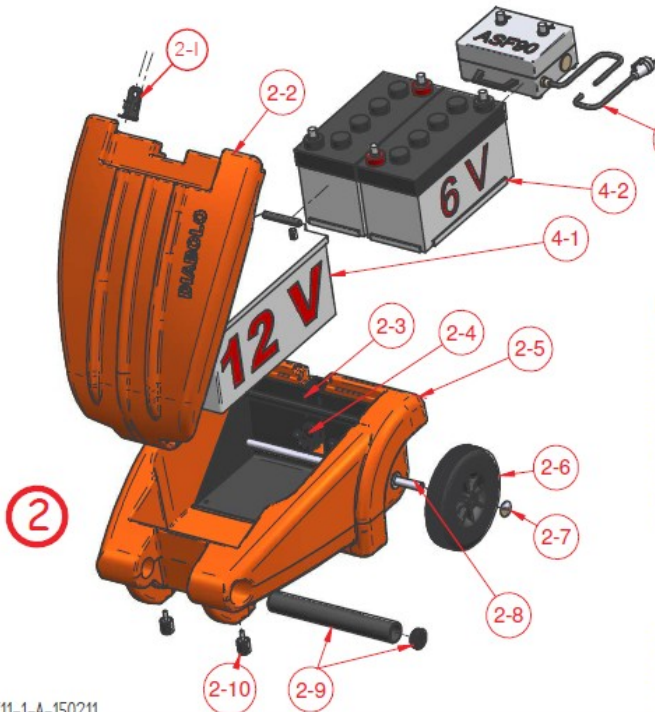
## Head Détail

Tag	One half set of traffic light	Description
1	1	DIABOLO R2 head with mast
1-1	3	DIABOLO visor
1-2	3	Lens for traffic light DIABOLO
1-3	1	Red LED optic 12V Ø200
1-4	1	Handle
1-5	2	Amber LED Optic 12V Ø200
1-6	1	DIABOLO body
1-7	1	CPU board for controller
1-8	1	PVC controller face
1-9	1	Spiral cable
1-10	1	Battery lead connection - Nickel-plated
1-11	1	Battery lead connection + Nickel-plated
1-12	1	Binding screw M10 and towing chain
1-13	2	DIABOLO mast
1-14	1	Green LED optic 12V Ø200



### Synchronization key

Tag	One half set of traffic light	Description
3	1	Synchronisation key



## Shell Détail

Tag	One half set of traffic light	Description
2	1	Shell DIABOLO shift
2-1	1	Padlock fastening
2-2	1	Battery box top
2-3	1	Battery support
2-4	1	Binding screw M8
2-5	1	Battery box bottom
2-6	2	Rubber wheel Ø245 black
2-7	2	Hub cap for wheel axle 19 mm
2-8	1	Stainless steel wheel axle Ø20
2-9	1	Ø50 mm shell axle
2-10	2	Rubber base Ø30mm

## Available

4-1	1	Battery 12V 200Ah
4-2	2	Battery 6V 192Ah
4-3	1	230VAC-12VCC battery