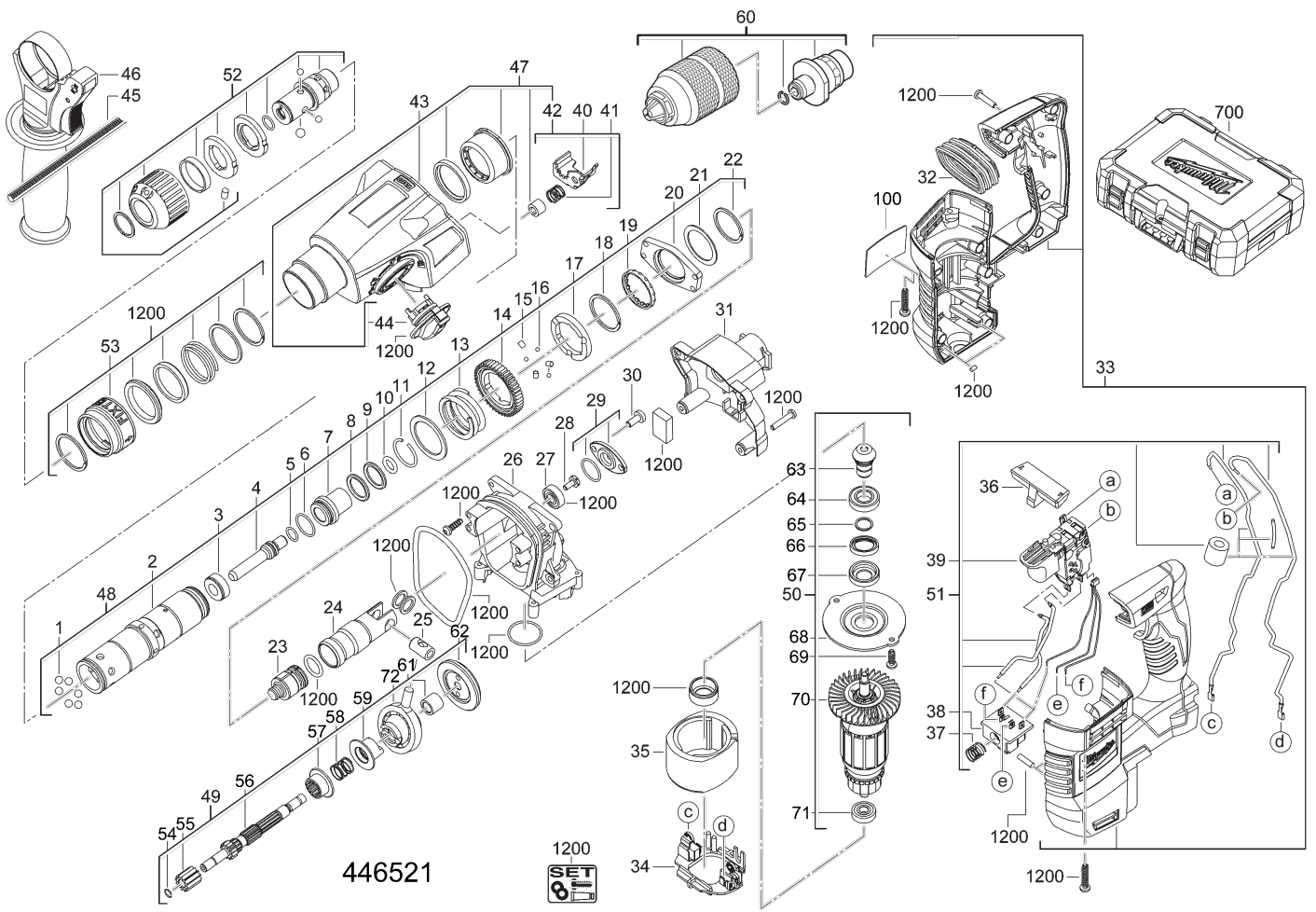


HD18HX-0 BTY. COMBI HAMMER XXX

4933408320 - HD18HX-0 - 4000446519





Position	Quantity	Description	Part number	EAN
0001	1	BALL	681486001	4002395851928
0002	1	SPINDLE SLEEVE	621198001	4002395849086
0003	1	STOP WASHER	692724001	4002395851997
0004	1	SNAP DIE	692723001	4002395851980
0005	1	O-RING	4931454454	4058546008826
0006	1	O-RING	562594001	4002395850648
0007	1	SLEEVE	692722001	4002395851973
0008	1	O-RING	562595001	4002395850655
0009	1	WASHER	633518001	4002395851348
0010	1	O-RING	562597001	4002395850679
0011	1	CIRCLIP	672632001	4002395851386
0012	1	WASHER	633517001	4002395851331
0013	1	SPRING	692735001	4002395852031
0014	1	REDUCTION GEAR	611291001	4002395850693
0015	1	PIN	681235001	4002395851904
0016	1	BALL	611405001	4002395851201
0017	1	CLUTCH	4931435089	4002395857678
0018	1	CIRCLIP	5131000000	
0019	1	BEARING	681480001	4002395851911
0020	1	BEARING	692838001	4002395849093
0021	1	WASHER	633516001	4002395851324
0022	1	CIRCLIP	633529001	4002395851355
0023	1	PERCUSSION BODY	692698001	4002395849635
0024	1	CYLINDER	692717001	4002395851959
0025	1	CYLINDER PIN	4931436807	4002395180400
0026	1	BRACKET	641710001	4002395849628
0027	1	BALL BEARING	681383001	4002395802050
0028	1	SCREW	661504001	4002395851379
0029	1	BEARING END PLATE	201879001	4002395848997
0030	1	LOCKING SCREW	661286001	4002395851362
0031	1	GEAR BOX COVER	591125001	4002395849079
0032	1	RUBBER SLEEVE	562680001	4002395849055
0033	1	HANDLE PIECE	201838001	4002395848966
0034	1	CARBON BRUSH SET	290627001	4002395850600
0035	1	FIELD LEAD GROMMET	4931454082	4002395287574
0036	1	LEVER	591123001	4002395849062
0037	1	SPRING	4931408243	4002395814466
0038	1	INSERT	4931416290	4002395801213
0039	1	SWITCH	4931433316	4002395897315
0040	1	RETAINING PLATE	4931448985	4002395256174
0041	1	SPRING	692732001	4002395852017
0042	1	PLATE	201877001	4002395848973
0043	1	GEAR BOX	340124001	4002395849048
0044	1	SWITCH	4931448984	4002395256167
0045	1	DEPTH GAUGE	620448002	4002395851218
0046	1	AUXILIARY HANDLE	304389001	4002395850624
0047	1	GEAR BOX	201756001	4002395848928
0048	1	SPINDLE	201758001	4002395848935
0049	1	GEAR SHAFT	4931446523	4002395876969
0050	1	MOTOR ASSEMBLY	5131000000	

Position	Quantité	Désignation	Référence	EAN
0051	1	SWITCH	201881001	4002395849017
0052	1	ADAPTER	201876001	4002395850594
0053	1	SLEEVE	522186001	4002395850631
0054	1	WASHER	633525001	4002395854141
0055	1	GEAR	4931453917	4002395279555
0056	1	REDUCTION GEAR	5131000000	
0057	1	INTERN.GEARED WHEEL	611288001	4002395854110
0058	1	SPRING	692733001	4002395856909
0059	1	COUPLING SLEEVE	611289001	4002395856312
0060	1	CLUTCH CHUCK ASS.	201895001	4002395849666
0061	1	DISTANCE HOLDER	5131000000	
0062	1	BEVEL GEAR	4931446533	4002395876921
0063	1	PINION	4931446534	4002395876914
0064	1	BALL BEARING	4931446535	4002395876907
0065	1	RETAINING RING	5131000000	
0066	1	SEAL	4931446537	4002395876280
0067	1	SLEEVE	5131000000	
0068	1	BEARING END PLATE	5131000000	
0069	1	SCREW	4931446540	4002395876259
0070	1	ARMATURE	5131000000	
0071	1	BALL BEARING	681383001	4002395802050
0072	1	BALL BEARING	681236001	4002395856381
0100	1	RATING PLATE	940488265	4002395849529
0700	1	CARRYING CASE	304112002	4002395849031
1200	1	MAINTENANCE SET	4931433267	4002395896202