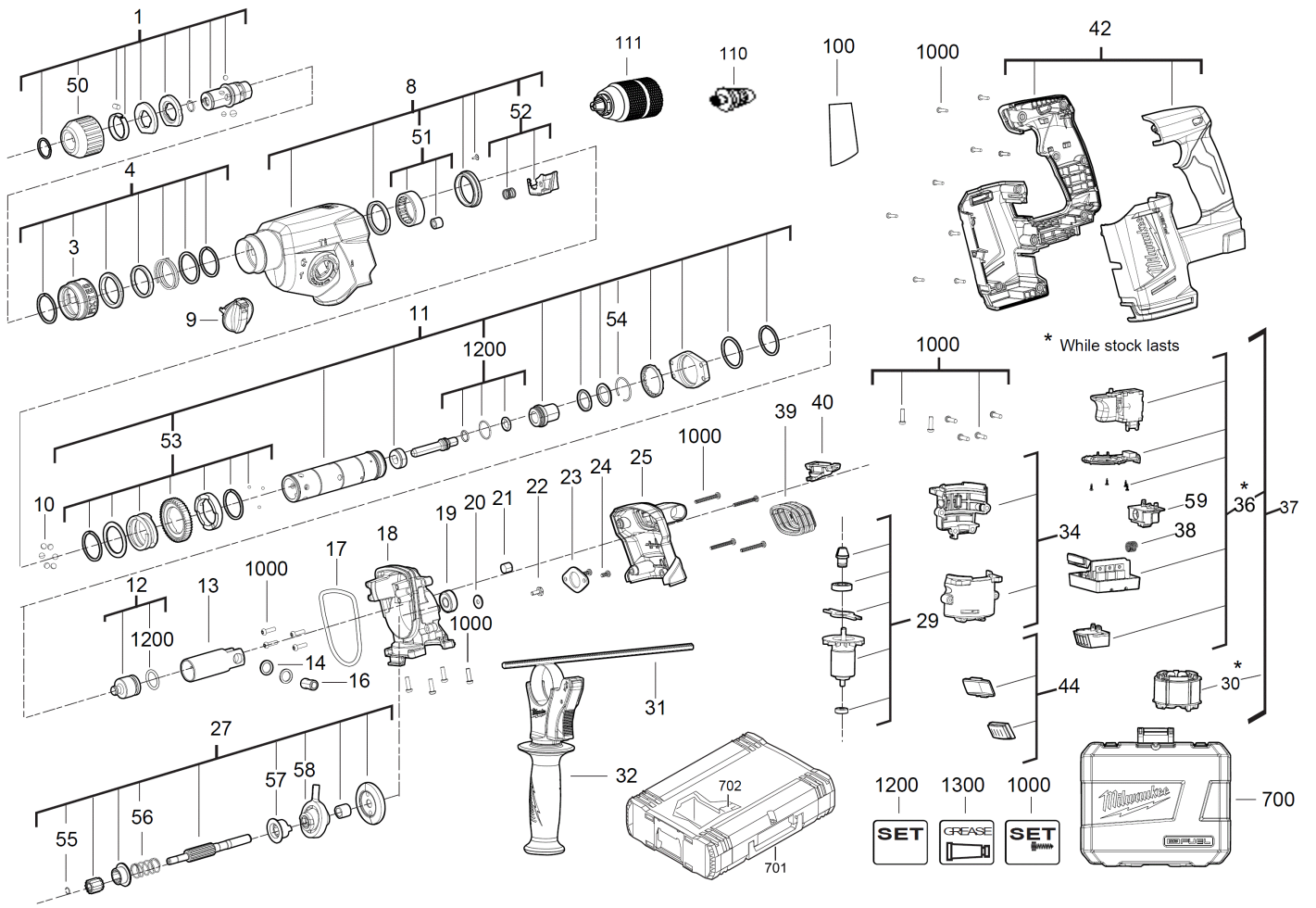


# M18CHX-502X BTY. COMBI HAMMER IN2

4933451381 - M18CHX-502X - 4000447421





| Position | Quantity | Description                         | Part number | EAN           |
|----------|----------|-------------------------------------|-------------|---------------|
| 0003     | 1        | SLEEVE                              | 522186001   | 4002395850631 |
| 0004     | 1        | SLEEVE                              | 4931436527  | 4002395250561 |
| 0008     | 1        | HOUSING                             | 4931436528  | 4002395250578 |
| 0009     | 1        | SLIDING SWITCH                      | 4931436767  | 4002395179800 |
| 0010     | 6        | BALL                                | 681486001   | 4002395851928 |
| 0011     | 1        | SPINDLE SLEEVE                      | 4931436530  | 4002395250592 |
| 0012     | 1        | SNAP DIE                            | 4931436531  | 4002395251209 |
| 0013     | 1        | PISTON                              | 4931436532  | 4002395251216 |
| 0014     | 2        | WASHER                              | 632400001   | 4002395856268 |
| 0016     | 1        | CYLINDER PIN                        | 692718001   | 4002395851966 |
| 0017     | 1        | O-RING                              | 4931436533  | 4002395251223 |
| 0018     | 1        | GEAR BOX ASSY                       | 4931436534  | 4002395251230 |
| 0019     | 1        | BALL BEARING                        | 4931441228  | 4002395870066 |
| 0020     | 1        | WASHER                              | 4931436535  | 4002395251247 |
| 0021     | 1        | FELT                                | 4931436536  | 4002395251254 |
| 0022     | 1        | SCREW                               | 4931375897  | 4002395767113 |
| 0023     | 1        | BEARING END PLATE                   | 4931436537  | 4002395251261 |
| 0024     | 1        | SCREW                               | 4931436538  | 4002395251278 |
| 0025     | 1        | HOUSING                             | 4931436539  | 4002395251285 |
| 0027     | 1        | SHAFT                               | 4931436540  | 4002395251292 |
| 0029     | 1        | ARMATURE                            | 4931436541  | 4002395251902 |
| 0030     | 1        | ELECTRIC FIELD                      | 4931436542  | 4002395251919 |
| 0031     | 1        | DEPTH GAUGE                         | 620448002   | 4002395851218 |
| 0032     | 1        | AUXILIARY HANDLE                    | 304389001   | 4002395850624 |
| 0034     | 1        | MOTOR HOUSING                       | 4931436543  | 4002395251926 |
| 0036     | 1        | ELECTRONIC SWITCH                   | 513100000   |               |
| 0037     | 1        | SWITCH KIT                          | 4931453368  | 4002395162727 |
| 0038     | 1        | PRESSURE SPRING                     | 4931408243  | 4002395814466 |
| 0039     | 1        | RUBBER SLEEVE                       | 562680001   | 4002395849055 |
| 0040     | 1        | LEVER                               | 4931436545  | 4002395251940 |
| 0042     | 1        | HANDLE COMPL.                       | 4931436546  | 4002395251957 |
| 0044     | 1        | COVER                               | 4931436547  | 4002395251964 |
| 0050     | 1        | SLEEVE                              | 4931436548  | 4002395251971 |
| 0051     | 1        | NEEDLE BEARING                      | 4931436549  | 4002395251988 |
| 0052     | 1        | INTERLOCK PLATE                     | 4931436550  | 4002395251995 |
| 0053     | 1        | GEAR KIT                            | 4931436551  | 4002395255504 |
| 0054     | 1        | HOLDING RING                        | 4931436552  | 4002395255511 |
| 0055     | 1        | WASHER                              | 633525001   | 4002395854141 |
| 0056     | 1        | SPRING                              | 4931436553  | 4002395255528 |
| 0057     | 1        | WOBBLE PLATE                        | 4931436554  | 4002395255535 |
| 0058     | 1        | BALL BEARING                        | 681236001   | 4002395856381 |
| 0059     | 1        | INSERT                              | 4931416290  | 4002395801213 |
| 0100     | 1        | RATING PLATE                        | 4931443169  | 4002395256945 |
| 0700     | 1        | CARRYING CASE                       | 4931436555  | 4002395255542 |
| 0701     | 1        | HD Box 3 - 1pc                      | 4932453386  | 4002395143634 |
| 0702     | 1        | HD Box Insert 13-1pc                | 4932453855  | 4002395275656 |
| 1000     | 1        | BOLT SET                            | 4931436556  | 4002395255559 |
| 1200     | 1        | O-RING                              | 4931436557  | 4002395255566 |
| 1300     | 1        | GEAR GREASE                         | 4931443288  | 4002395255627 |
| 0001     | 1        | M18B5 LI-ION BATTERY PACK 5.0AH XXX | 4932430483  | 4002395381449 |

| <b>Position</b> | <b>Quantity</b> | <b>Description</b>                      | <b>Part number</b> | <b>EAN</b>    |
|-----------------|-----------------|---|--------------------|---------------|
| 0001            | 1               | ADAPTER Fixtec-SDS+ P1AM                | 4932352299         | 4002395369584 |
| 0002            | 1               | M12-18C BATTERY CHARGER IN2             | 4932352959         | 4002395376179 |
| 0110            | 1               | ADAPTER 1/2X20-FIXTEC P1A/M             | 4932399154         | 4002395357635 |
| 0111            | 1               | QUICK ACTION CHUCK ChKL1,5-13 1/2x20P1M | 4932376531         | 4002395346332 |