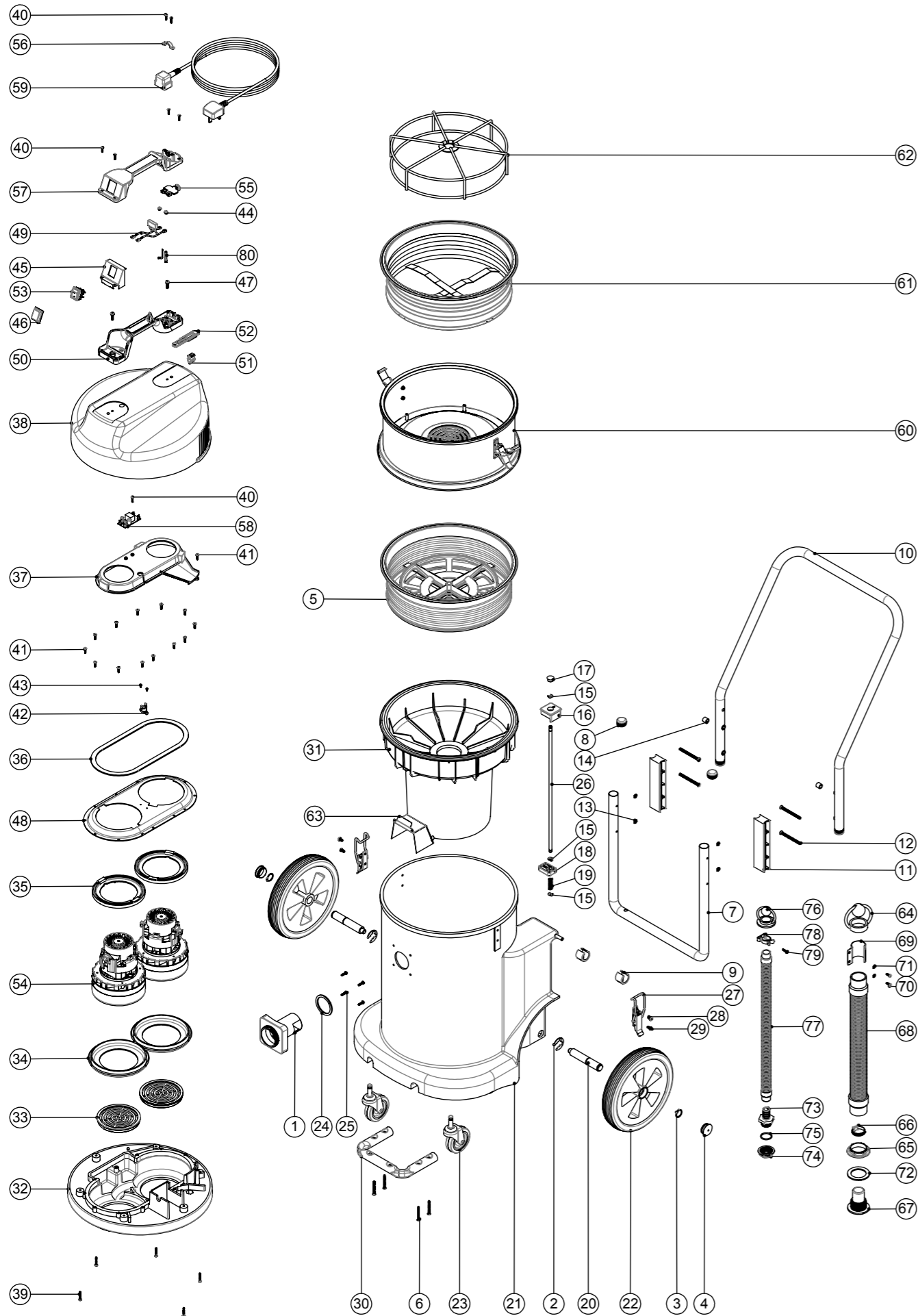


Numatic International Spare Parts

Model No: WVD 900-2 / WVD 900H-2 ASSEMBLY DRAWING

234286
DRAWING: EXP-0718 ISS:A05
01/03/2012

ND: FOR WIRING DIAGRAM SEE DRAWING: WD-0255, WD-0293(EURO), WD-0257(120V 2 CORE), WD-0276(120V 3 CORE), WD-0301(USA), WD-0357(TAIWAN)



Numatic International Spare Parts

Model No: WVD 900-2 / WVD 900H-2 ASSEMBLY DRAWING

| ITEM: | PART No: | DESCRIPTION | COMMENTS: |
|-------|----------|---|--|
| 1 | 206117 | HOSE CONNECTION FLANGE | |
| | 214001 | DIE CAST FLANGE | |
| 2 | 219306 | E-CLIP | |
| 3 | 219308 | CIRCLIP | |
| 4 | 206131 | BLACK PLASTIC CAP | |
| 5 | 604411 | 14 INCH COMBINATION MICROTTEX FILTER ASSEMBLY | |
| 6 | 219316 | No10 X 43MM LONG POZI PAN COUNTER SUNK PLASTITE SCREW | |
| 7 | 303128 | LOWER HANDLE | |
| 8 | 20637V | 25 4MM TUBE END STOP | |
| 9 | 206295 | PLASTIC SADDLE FOOT | |
| 10 | 329169 | HANDLE ASSEMBLY | |
| 11 | 206128 | HANDLE BLOCK SPACER | |
| 12 | 219422 | M6 X 70MM LONG POZI PAN COUNTERSUNK SCREW | |
| 13 | 219423 | M6 COUNTERSUNK LOCK WASHER | |
| 14 | 21985V | SPACER | |
| 15 | 219307 | E CLIP | |
| 16 | 206126 | LOCKING BAR KNOB | |
| 17 | 206132 | BLACK PLASTIC CAP | |
| 18 | 206127 | LOCKING BAR SUPPORT | |
| 19 | 219312 | COMPRESSION SPRING | |
| 20 | 206137 | STUB AXLE | |
| 21 | 300030 | PROCESSED BLUE PLASTIC CONTAINER | |
| | 300163 | BLUE DRILLED CONTAINER + LARGE DRAIN TAP | DRAIN HOSE MODELS |
| | 325055 | YELLOW CONTAINER | |
| | 300223 | WV/CT YELLOW DRUM DRILL | DRAIN HOSE MODELS (USA) |
| | 325054 | GREEN CONTAINER | |
| | 300031 | PROCESSED RED PLASTIC CONTAINER | |
| 22 | 204028 | 10 INCH WHEEL | |
| 23 | 204060 | 3 INCH CASTOR | |
| 24 | 202027 | HOSE FLANGE GASKET | |
| 25 | 219105 | No8 X 5/8 INCH LONG POZI PAN PLASTITE SCREW | |
| 26 | 206133 | LOCKING BAR | |
| 27 | 206135 | TOGGLE FASTENER | |
| 28 | 219047 | M5 X 10MM LONG POZI PAN SEMS SCREW | |
| 29 | 219330 | M5 X 12MM LONG POZI PAN COUNTERSUNK SCREW | |
| 30 | 303127 | TOOL MOUNTING BAR | |
| 31 | 502035 | WV575/2000 FLOAT ASSEMBLY | |
| | 502047 | 14 INCH FLOAT ASSEMBLY (METAL CAGE) | |
| 32 | 301048 | PROCESSED BOTTOM MOTOR HOUSING | |
| 33 | 206010 | FAN GUARD | |
| 34 | 202005 | MOTOR BOTTOM GASKET | |
| 35 | 227925 | TOP MOTOR GASKET | |
| 36 | 202012 | GASKET | |
| 37 | 227928 | 570 AIR SEPERATOR (LAMB BYPASS MOTOR DUPLEX) | |
| 38 | 227043 | COVER MOULDING | |
| 39 | 219369 | No8 X 1 INCH LONG POZI PAN STAINLESS STEEL PLASTITE SCREW | |
| 40 | 219107 | No8 X 5/8 INCH LONG POZI PAN PLASTITE SCREW | |
| 41 | 219370 | No8 X 5/8 INCH LONG PLASTITE STAINLESS STEEL SCREW | |
| 42 | 220532 | THERMOSTAT | |
| | 220659 | THERMAL CUT OUT | USA |
| 43 | 219491 | M5 X 3MM LONG POZI PAN TAPTITE SCREW | |
| 44 | 219090 | M4 X 8MM LONG POZI PAN SEMS SCREW | |
| 45 | 227635 | SWITCH MOUNTING BRACKET (1 SWITCH) | |
| 46 | 206573 | SWITCH COVER (PLUG HANDLE) | |
| 47 | 219546 | M5 X 20MM LONG POZI PAN SEMS SCREW | |
| 48 | 225168 | TOP MOTOR HOUSING | |
| | 325128 | MOD TOP MOTOR HOUSING | USA, TAIWAN |
| 49 | 220558 | SUPPRESSOR ASSEMBLY | UK, UK-INDUSTRIAL, USA, AUSTRALIA |
| | 230151 | 220V SUPPRESSOR ASSEMBLY | EURO, RSA, SWISS, KOREA |
| | 321293 | SUPPRESSOR ASSEMBLY (MODIFIED FOR FUSE HOLDER HANDLE) | TAIWAN |
| 50 | 320686 | HANDLE BASE MOULDING + INSERTS | UK, UK-INDUSTRIAL, EURO, SWISS, RSA, AUSTRALIA |
| | 320835 | HANDLE BASE MOULDING + INSERTS (3 CORE) | KOREA |
| | 320954 | HANDLE BASE MOULDING (SOCKET)+ INSERTS V2 | USA, TAIWAN |
| 51 | 227637 | CABLE CLIP | |
| 52 | 227636 | STRAIN RELIEF | |
| 53 | 220843 | BLUE ROCKER SWITCH | |
| 54 | 205411 | 240V 2 STAGE D.I BYPASS ACUSTEK MOTOR (BL21104)(MARKED 230V) | |
| | 205409 | 120V 2 STAGE D.I BYPASS ACUSTEK MOTOR (BL21101) | UK-INDUSTRIAL |
| | 205104 | 120V 2 STAGE BYPASS TAPER FAN MOTOR (BLT21101) | USA |
| 55 | 227632 | TERMINAL COVER & CLAMP | UK, EURO, SWISS, RSA |
| | 220131 | CABLE CLAMP | UK, INDUSTRIAL, AUSTRALIA, KOREA, TAIWAN, USA |
| 56 | 216290 | CABLE CLAMP | UK, EURO |
| | 227564 | PLUG LOCATION CLAMP | RSA, SWISS |
| | 220923 | STRESS RELIEF | UK-INDUSTRIAL, AUSTRALIA, KOREA, TAIWAN, USA |
| 57 | 229990 | HANDLE COVER 16AMP 2PIN | UK, EURO |
| | 227625 | HANDLE COVER (10AMP / 2 PIN / 1 SWITCH) | RSA, SWISS |
| | 227627 | HANDLE COVER (CUT OUT FOR 1 SWITCH) | UK-INDUSTRIAL, AUSTRALIA, KOREA |
| | 227662 | HANDLE COVER HARD WIRE 1 SWITCH (FLAME RETARD) | USA |
| | 325721 | HANDLE COVER (FLAME RETARDENT/1 SWITCH/PROCESSED FOR FUSE HOLDER) | TAIWAN |
| | 221330 | 15 AMP FUSE | TAIWAN |
| | 221420 | FUSE HOLDER | TAIWAN |
| 58 | 220555 | 230V DELAY START MODULE | |
| | 220556 | 115V DELAY START MODULE | UK-INDUSTRIAL, USA |
| 59 | 236146 | 10 METER X 1.5MM X 2 CORE CABLE (SOCKET + UK PLUG) | |
| | 236144 | 10.0MT X 1.5MM X 2 CORE YELLOW CABLE (SOCKET + PLUG) EURO | |
| | 236065 | 10M X 2CORE X 2.5MM CABLE PLUS 32AMP INDUSTRIAL PLUG | |
| | 236017 | 10.0MT X 1MM X 2 CORE CABLE (SOCKET + PLUG) SWISS | |
| | 236021 | 10.0MT X 1MM X 2 CORE CABLE (SOCKET + PLUG) SOUTH AFRICA | |
| | 236044 | 10.0MT X 1.0MM X 2 CORE BLACK CABLE PLUS AUSTRALIAN PLUG | |
| | 236112 | MAINS CABLE (3 WIRE / 2MM / 10 METRE LONG BLACK TAIWAN CABLE)E | |
| | 220883 | 12.5MT X 3CORE X 1.25MM CABLE (KOREAN) | |
| | 236063 | MAINS CABLE (10 METRE / 14 AWG THICK WIRE / 3 WIRE / YELLOW CABLE / CSA PLUG) | |
| 60 | 604029 | HZ DUPLEX MODULE YELLOW 356MM PLASTIC HEAD | 900H-2 MODELS |
| 61 | 604113 | SECONDARY PERMATHEX FILTER FOR 356MM TWO STAGE MACHINE (NVM-13B) | 900H-2 MODELS |
| 62 | 209004 | FILTER GRID | 900H-2 MODELS |
| 63 | 303482 | WATER DEFLECTOR | MODELS WITH WATER DEFLECTOR |
| 64 | 206111 | HOSE CLOSURE | DRAIN HOSE MODELS |
| 65 | 206116 | BLACK NUT | DRAIN HOSE MODELS |
| 66 | 206209 | A.B.A HOSE CLIP | DRAIN HOSE MODELS |
| 67 | 206228 | DRAIN HOSE CONNECTOR | DRAIN HOSE MODELS |
| 68 | 225099 | EMPTYING HOSE | DRAIN HOSE MODELS |
| 69 | 206205 | HOSE CLIP | DRAIN HOSE MODELS |
| 70 | 219101 | No8 X 1/2 INCH LONG POZI PAN PLASTITE SCREW | DRAIN HOSE MODELS |
| 71 | 219003 | M5 FORM A STEEL WASHER | DRAIN HOSE MODELS |
| 72 | 219310 | RUBBER WASHER | DRAIN HOSE MODELS |
| 73 | 216191 | 3/4 INCH HOSE TAIL + O RING GROOVE | DRAIN HOSE MODELS (USA) |
| 74 | 216192 | 3/4 INCH BSP BACK NUT | DRAIN HOSE MODELS (USA) |
| 75 | 216193 | O RING | DRAIN HOSE MODELS (USA) |
| 76 | 206058 | HOSE CLOSURE | DRAIN HOSE MODELS (USA) |
| 77 | 213108 | DUMP HOSE ASSEMBLY | DRAIN HOSE MODELS (USA) |
| 78 | 219503 | TOOL CLIP | DRAIN HOSE MODELS (USA) |
| 79 | 219914 | NO6 X 5/8 INCH LONG POZI-PAN PLASTITE STAINLESS STEEL SCREW | DRAIN HOSE MODELS (USA) |
| 80 | 206562 | CONTACT PIN | DRAIN HOSE MODELS (USA) |



WARNING
 Seek guidance from Numatic team before use.
 Technical information supplied as guidance for use by suitably qualified personnel only.
 Numatic International Limited accepts no liability for misuse or negligence.

